

WALL PANEL SYSTEMS, INC. TEST SUMMARY

SCOPE OF WORK

STATIC LOAD TESTING ON – WPS FACE MOUNT CLIP (FMC-022) AND THE MID-WALL RAIL (GEN-042)

PROJECT NUMBER

P1192.01-303-44 R0

TEST DATE(S)

08/19/22

ISSUE DATE

08/23/22

PAGES

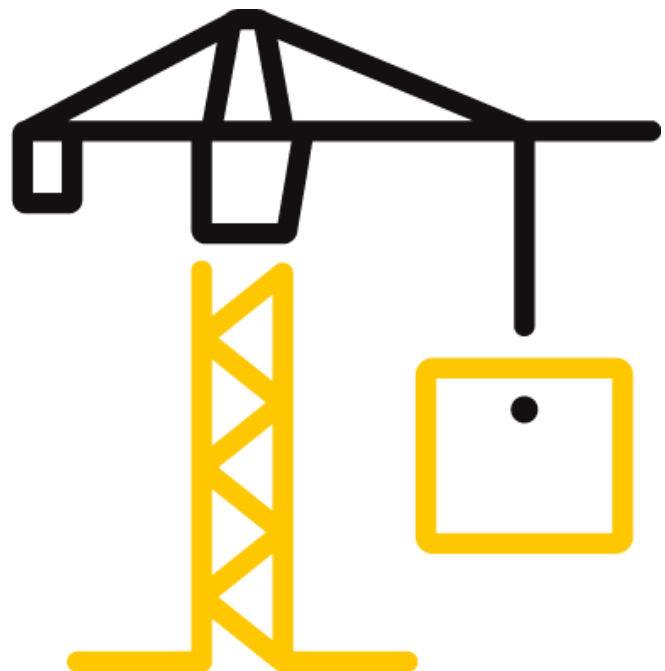
7

DOCUMENT CONTROL NUMBER

ATI 00810 (DRAFT)

GFT-OP-10c (DRAFT)

© 2017 INTERTEK





Total Quality. Assured.

25800 Commercentre Drive
Lake Forest, California 92630

Telephone: 949-460-9600
www.intertek.com/building

TEST SUMMARY FOR WALL PANEL SYSTEMS, INC.

Project No.: P1192.01-303-44 R0

Date: 08/23/22

SUMMARY ISSUED TO

WALL PANEL SYSTEMS, INC.

1815 Rustin Ave Suite A
Riverside, CA 92507

SECTION 1

SCOPE

Intertek Building & Construction (B&C) was contracted by Wall Panel Systems, Inc, Riverside Ca. to perform static loading WPS FACE MOUNT CLIP (FMC-022) AND THE MID-WALL RAIL (GEN-042). Results obtained are tested values and were secured by using the designated test method(s). Testing was conducted at the Intertek B&C test facility in Lake Forest, CA.

For INTERTEK B&C:

| | |
|----------------------|------------------|
| COMPLETED BY: | Garrett Osterode |
| TITLE: | Project Lead |
| SIGNATURE: | |
| DATE: | 08/23/22 |

GO:ms

This report is for the exclusive use of Intertek's Client and is provided pursuant to the agreement between Intertek and its Client. Intertek's responsibility and liability are limited to the terms and conditions of the agreement. Intertek assumes no liability to any party, other than to the Client in accordance with the agreement, for any loss, expense or damage occasioned by the use of this report. Only the Client is authorized to permit copying or distribution of this report and then only in its entirety. Any use of the Intertek name or one of its marks for the sale or advertisement of the tested material, product or service must first be approved in writing by Intertek. The observations and test results in this report are relevant only to the sample(s) tested. This report by itself does not imply that the material, product, or service is or has ever been under an Intertek certification program.

TEST SUMMARY FOR WALL PANEL SYSTEMS, INC.

Project No.: P1192.01-303-44 R0

Date: 08/23/22

SECTION 2

TEST METHODS

R&D - Static loading per client's request

SECTION 3

SUMMARY OF TEST RESULTS

| SAMPLE NO. | ULTIMATE LOAD ACHIEVED |
|--|------------------------|
| #1 | 320 lbs |
| #2 | 312 lbs |
| #3 | 315 lbs |
| #4 | 341 lbs |
| #5 | 366 lbs |
| #6 | 330 lbs |
| #7 | 390 lbs |
| Average load achieved before separations | 339.14 lbs |

*This is a summary of the testing for your information only. A complete and formal test report will be generated once all testing covered under this project has been completed. This data is considered preliminary until the final **data validation review and report is complete.***

TEST SUMMARY FOR WALL PANEL SYSTEMS, INC.

Project No.: P1192.01-303-44 R0

Date: 08/23/22

SECTION 4 PHOTOGRAPHS



Photo No. 1

P-Line position around panel—each side of clip then loop to center for equal purchase.

A precision winch was positioned opposite center point of P-Line to apply loads.

A force gauge was used to measure breakaway force at peak loads.



Total Quality. Assured.

TEST SUMMARY FOR WALL PANEL SYSTEMS, INC.

Project No.: P1192.01-303-44 R0

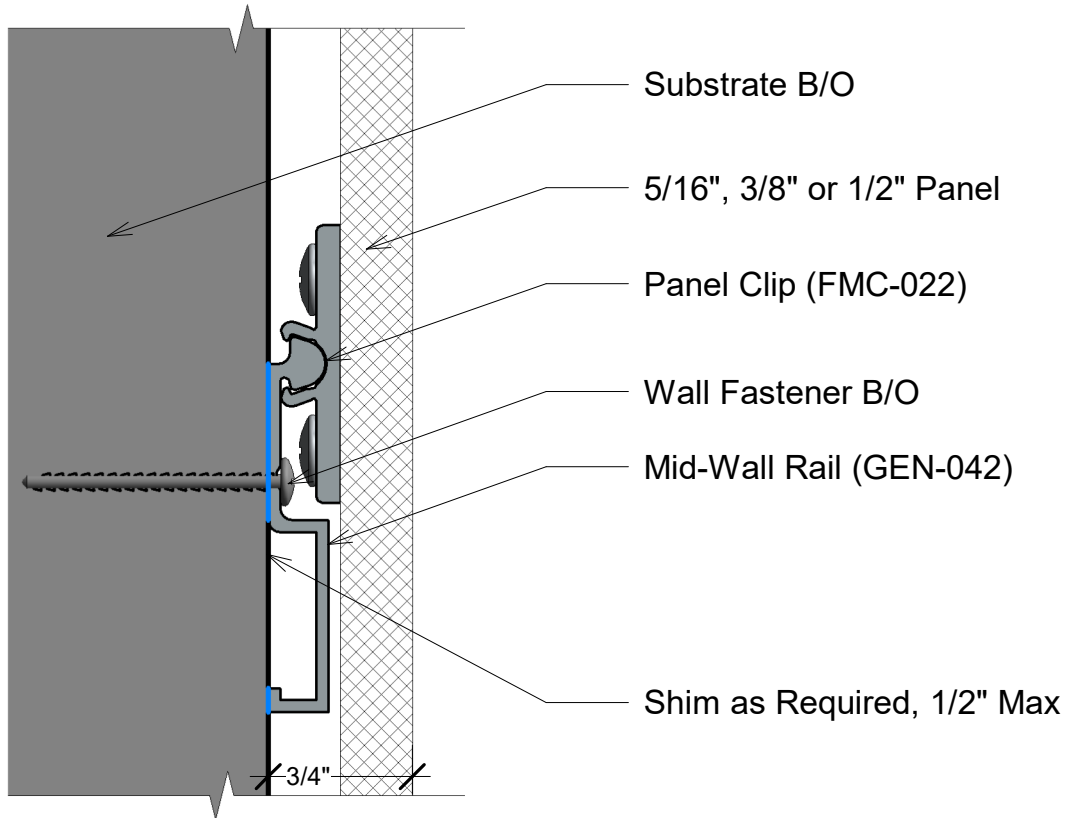
Date: 08/23/22

SECTION 5
DRAWINGS

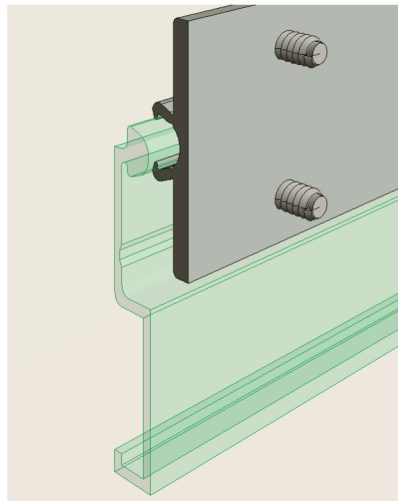
25800 Commercentre Drive
Lake Forest, California 92630

Telephone: 949-460-9600
www.intertek.com/building

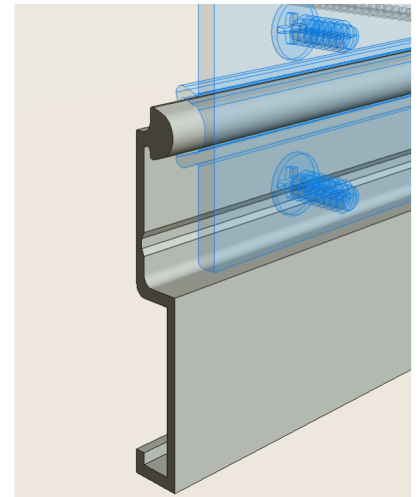
Shadow line can be utilized with, Phenolic, Glass and Fiberglass Panels




1 Section F
12" = 1'-0"



4 FMC-022 (F)
Panel Clip



2 GEN-042 (F)
Wal Rail

| | | | | |
|-------------------------------|--|-------------------------|------------------------------|--|
| Title: MidWall Clip | | View: Section | Date: 03/18/22 |  Wall Panel Systems, Inc. Tel: 877-333-4WPS support@wpsusa.com Web: www.wpsusa.com © 2007 Wall Panel Systems Inc. |
| Detail: F | System Type: Shadowline System | Scale: Full | Draw By: WPS, Inc. | |



Total Quality. Assured.

25800 Commercentre Drive
Lake Forest, California 92630

Telephone: 949-460-9600
www.intertek.com/building

TEST SUMMARY FOR WALL PANEL SYSTEMS, INC.

Project No.: P1192.01-303-44 R0

Date: 08/23/22

SECTION 6

REVISION LOG

| REVISION # | DATE | PAGES | REVISION |
|------------|----------|-------|-----------------------|
| 0 | 08/23/22 | N/A | Original Report Issue |