
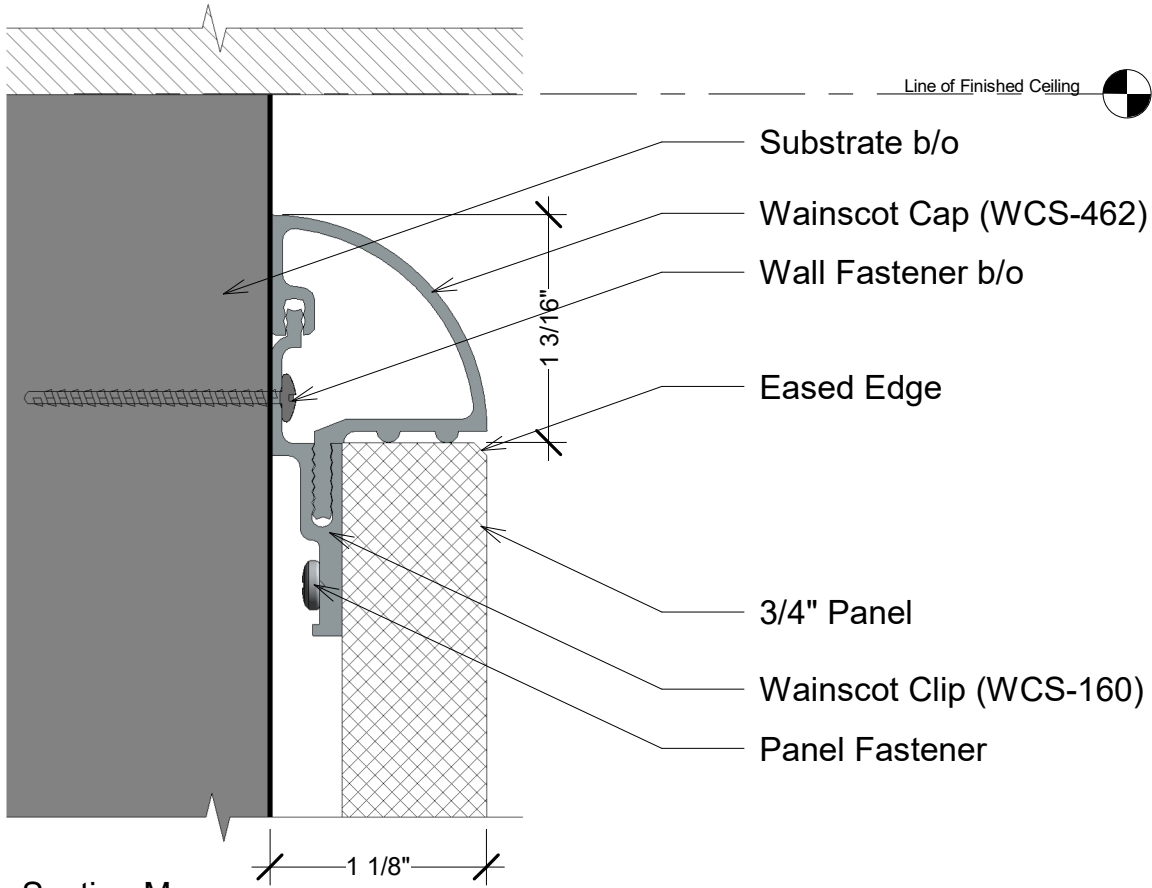
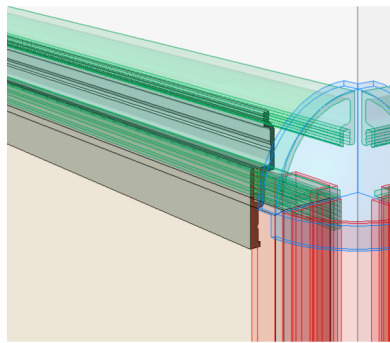


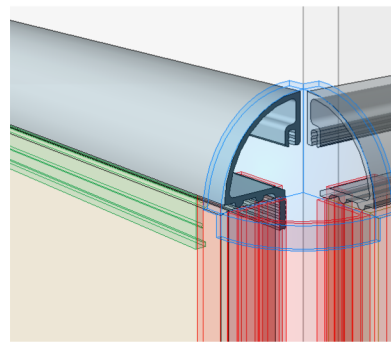
Title:		View:		Date:		 Wall Panel System, Inc. Tel: 877-333-4WPS support@wallpanelsystems.net Web: www.wallpanelsystems.net © 2011 Wall Panel Systems Inc.
Installation Instruction 3-D Model		3D		08/02/17		
Detail:	System Type:	Scale:	Drawn By:			
0	3/4" Wainscot System	N/A	WPS, Inc.			




1 Section M
12" = 1'-0"

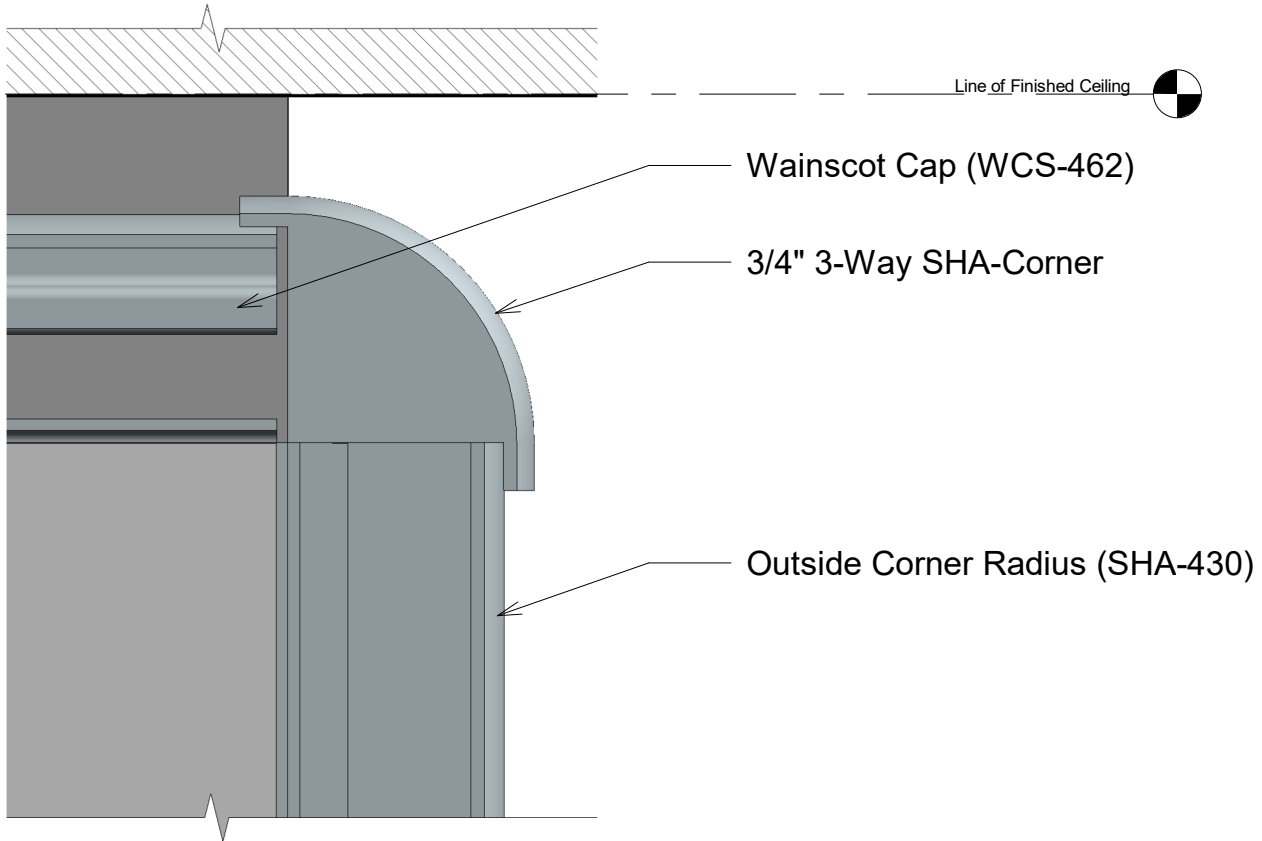


2 WCS-160 (M)
Wainscot Clip

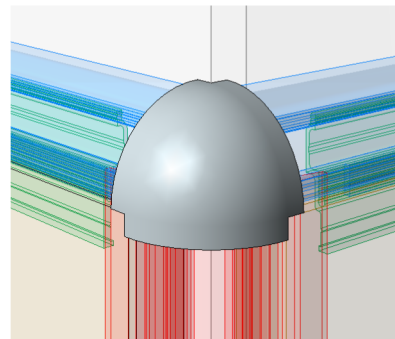


3 WCS-462 (M)
Wainscot Cap


Title: Top Edge		View: Section	Date: 03/18/22	 Wall Panel Systems, Inc. Tel: 877-333-4WPS support@wpsusa.com Web: www.wpsusa.com © 2011 Wall Panel Systems Inc.
Detail: M	System Type: 3/4" Wainscot System	Scale: Full	Draw By: WPS, Inc.	

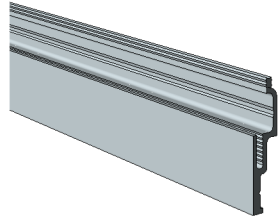


1 Section W
12" = 1'-0"

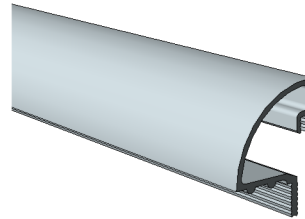


2 SHA-Corner (W)
3/4\"/>

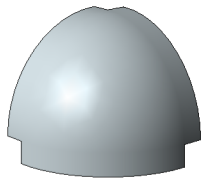
Title: Corner Cap		View: Section	Date: 03/18/22	 Wall Panel Systems, Inc. Tel: 877-333-4WPS support@wpsusa.com Web: www.wpsusa.com © 2011 Wall Panel Systems Inc.
Detail: W	System Type: 3/4\"/> 			



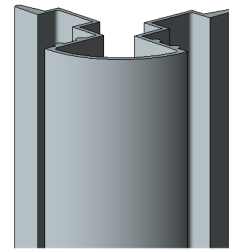
① **WCS-160 (U)**
Wainscot Clip




② **WCS-462 (U)**
Wainscot Cap



③ **SHA-Corner (U)**
3/4" 3-Way



④ **SHA-430 (W)**
Outside Corner Radius

Title:		View:	Date:	 Wall Panel Systems, Inc. Tel: 877-333-4WPS support@wpsusa.com Web: www.wpsusa.com © 2011 Wall Panel Systems Inc.
Parts List		3D	03/18/22	
Detail:	System Type:	Scale:	Draw By:	
U	3/4" Wainscot System	N/A	WPS, Inc.	