
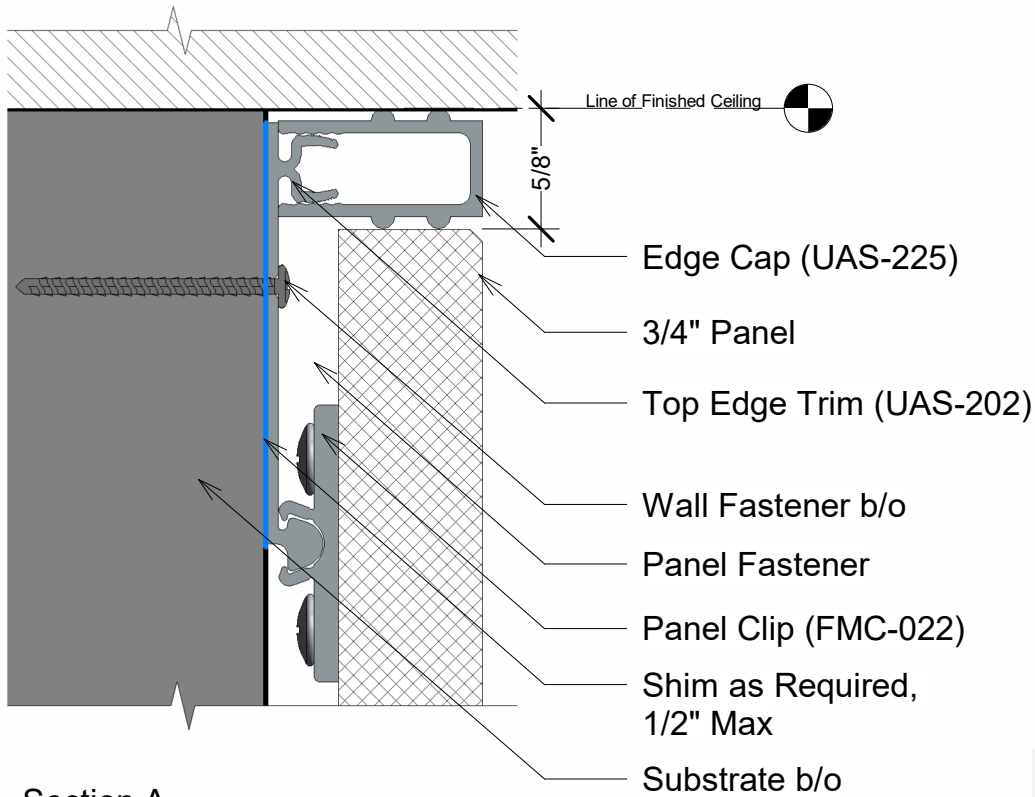
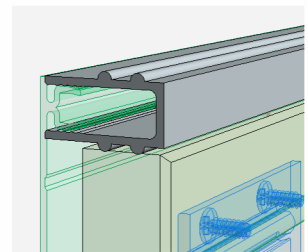


Title:		View:		Date:		 <b>WPS</b> Wall Panel System, Inc. Tel: 877-333-4WPS support@wpsusa.com Web: www.wpsusa.com © 2007 Wall Panel Systems Inc.
Installation Instruction 3-D Model		3D		03/22/24		
Detail:	System Type:	Scale:	Drawn By:			
0	3/4" Shadowline System (Hybrid)	N/A	WPS, Inc.			

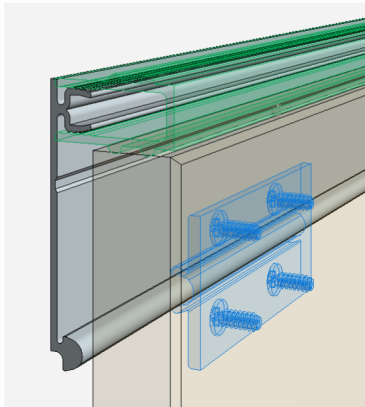
Universal Architectural can be utilized with, Plastic laminate, Wood veneer, and Aluminum/Metal laminate.



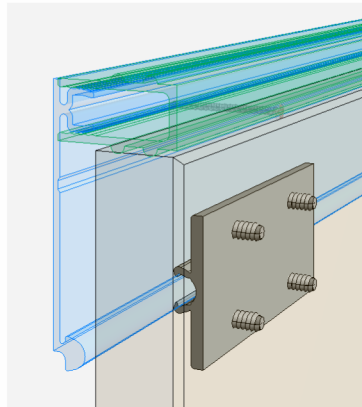
1 Section A  
12" = 1'-0"



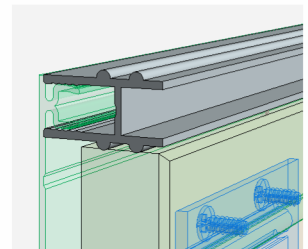
4 UAS-225 (A)  
Edge Cap



2 UAS-202 (A)  
Top Edge Trim



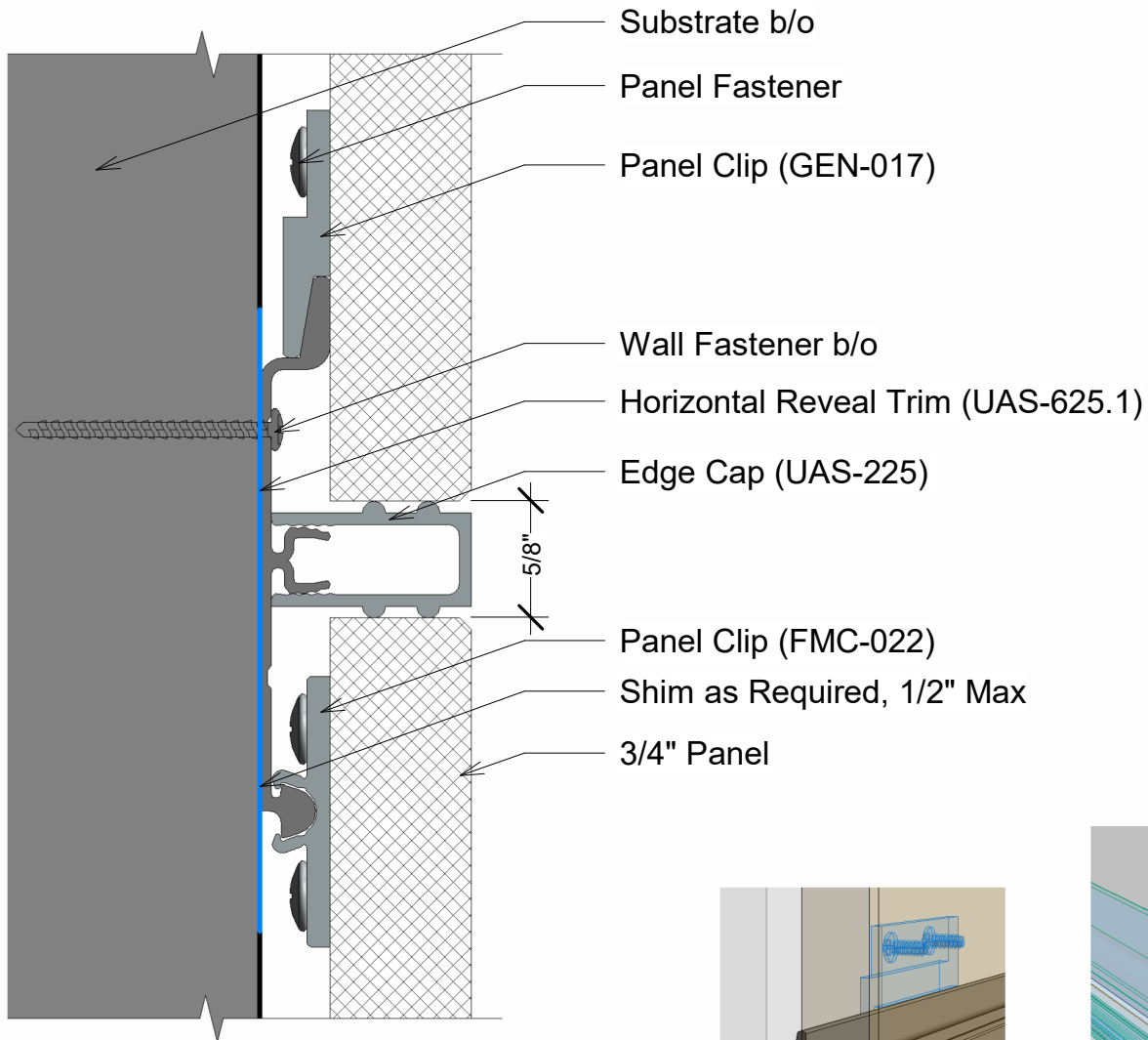
3 GEN-017 (A)  
Panel Clip



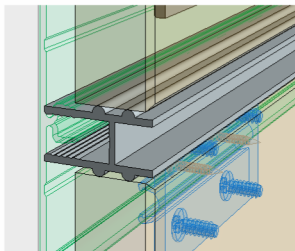
5 UAS-226 (A)  
Option Edge Cap

Title: <b>Top Edge / Head Termination</b>		View: <b>Section</b>	Date: <b>03/22/24</b>	 <b>WPS</b> <b>Wall Panel Systems, Inc.</b> Tel: 877-333-4WPS support@wpsusa.com Web: www.wpsusa.com © 2012 Wall Panel Systems Inc.
Detail: <b>A</b>	System Type: <b>3/4" Universal Archit Sys. Hyb</b>	Scale: <b>Full</b>	Draw By: <b>WPS, Inc.</b>	

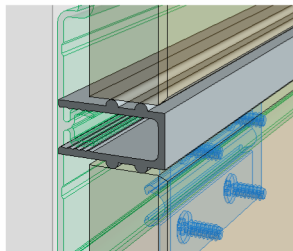
Universal Architectural can be utilized with, Plastic laminate, Wood veneer, and Aluminum/Metal laminate:



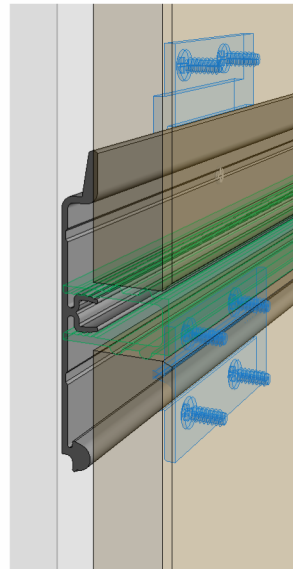
1 Section B  
12" = 1'-0"



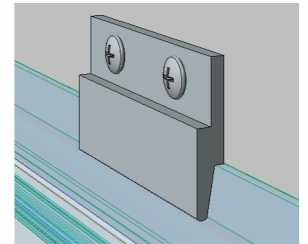
2 UAS-226 (B)  
Option Edge Cap



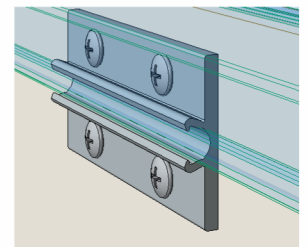
3 UAS-225 (B)  
Edge Cap



4 FMU-625.1 (B)  
Horizontal Reveal Trim



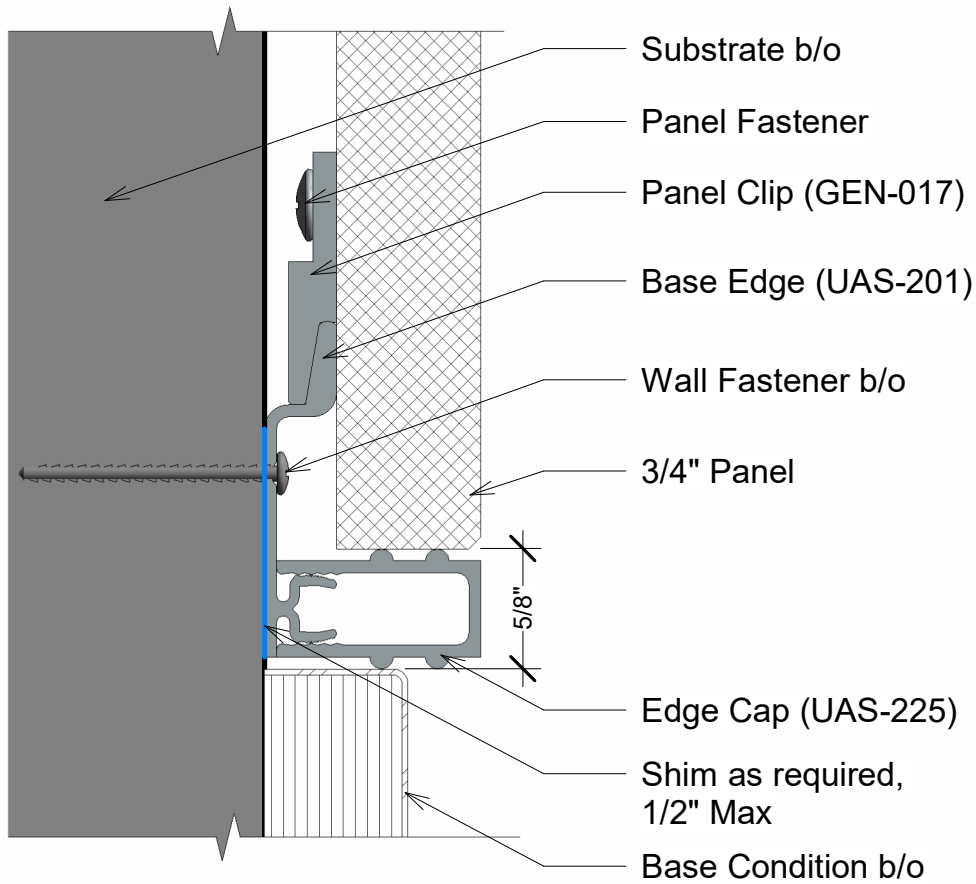
6 GEN-017 (B)  
Panel Clip



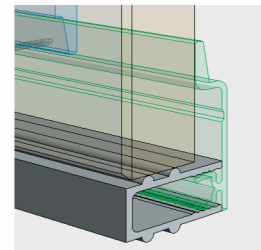
5 FMC-022 (B)  
Panel Clip

Title: <b>Horizontal Reveal</b>		View: <b>Section</b>	Date: <b>03/22/24</b>	 <b>WPS</b> Wall Panel Systems, Inc. Tel: 877-333-4WPS support@wpsusa.com Web: www.wpsusa.com © 2012 Wall Panel Systems Inc.
Detail: <b>B</b>	System Type: <b>3/4" Universal Archit Sys. Hyb</b>	Scale: <b>Full</b>	Draw By: <b>WPS, Inc.</b>	

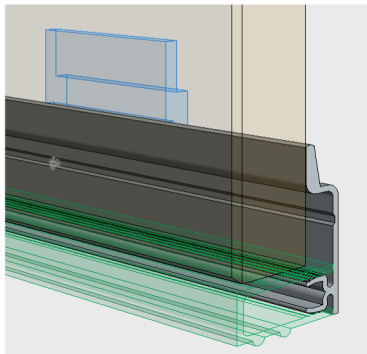
Universal Architectural can be utilized with, Plastic laminate, Wood veneer, and Aluminum/Metal laminate



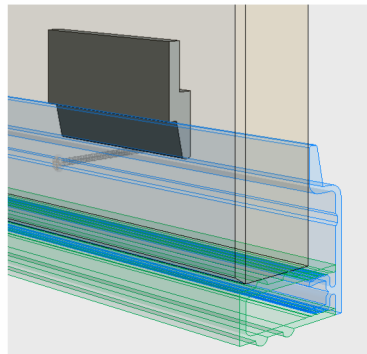
① Section C  
12" = 1'-0"



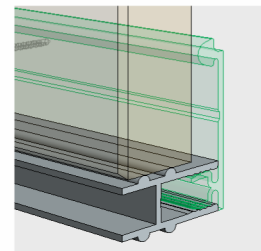
④ UAS-225 (C)  
Edge Cap




② UAS-201 (C)  
Base Edge



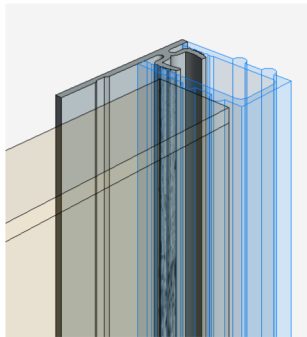
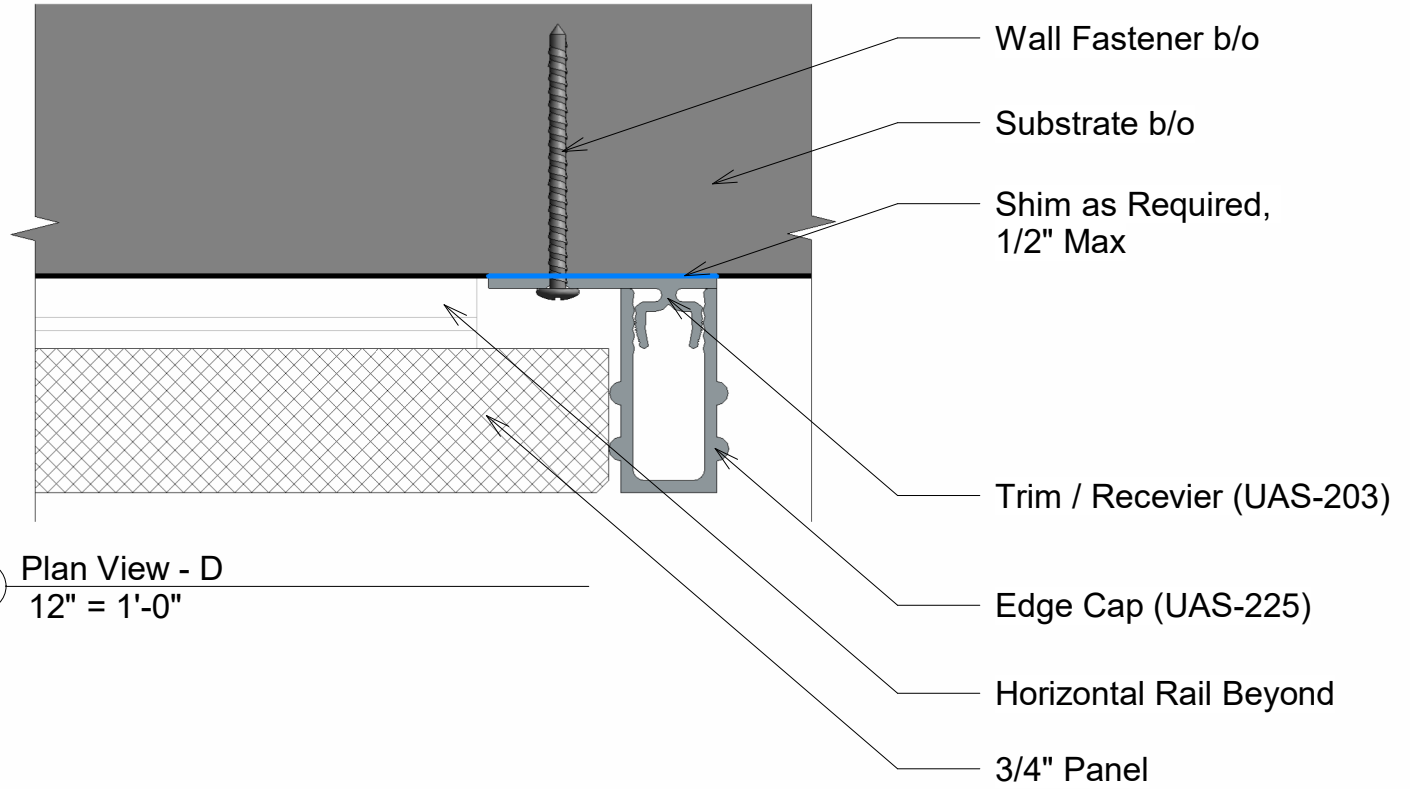
③ GEN-017 (C)  
Panel Clip



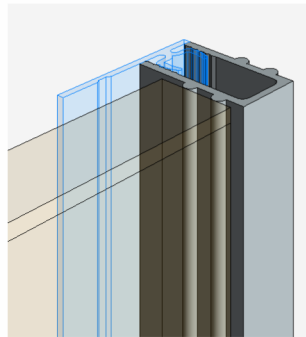
⑤ UAS-226 (C)  
Option Edge Cap

Title: <b>Base Edge / Panel Termination</b>		View: <b>Section</b>	Date: <b>03/22/24</b>	 <b>WPS</b> Wall Panel Systems, Inc. Tel: 877-333-4WPS support@wpsusa.com Web: www.wpsusa.com © 2012 Wall Panel Systems Inc.
Detail: <b>C</b>	System Type: <b>3/4" Universal Archit Sys. Hyb</b>	Scale: <b>Full</b>	Draw By: <b>WPS, Inc.</b>	

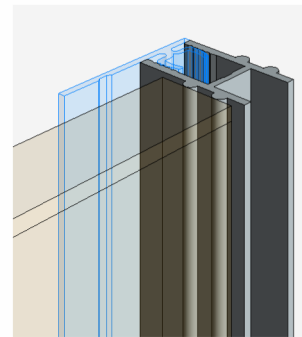
Universal Architectural can be utilized with, Plastic laminate, Wood veneer, and Aluminum/Metal laminate



2 UAS-203 (D)  
Trim / Receiver



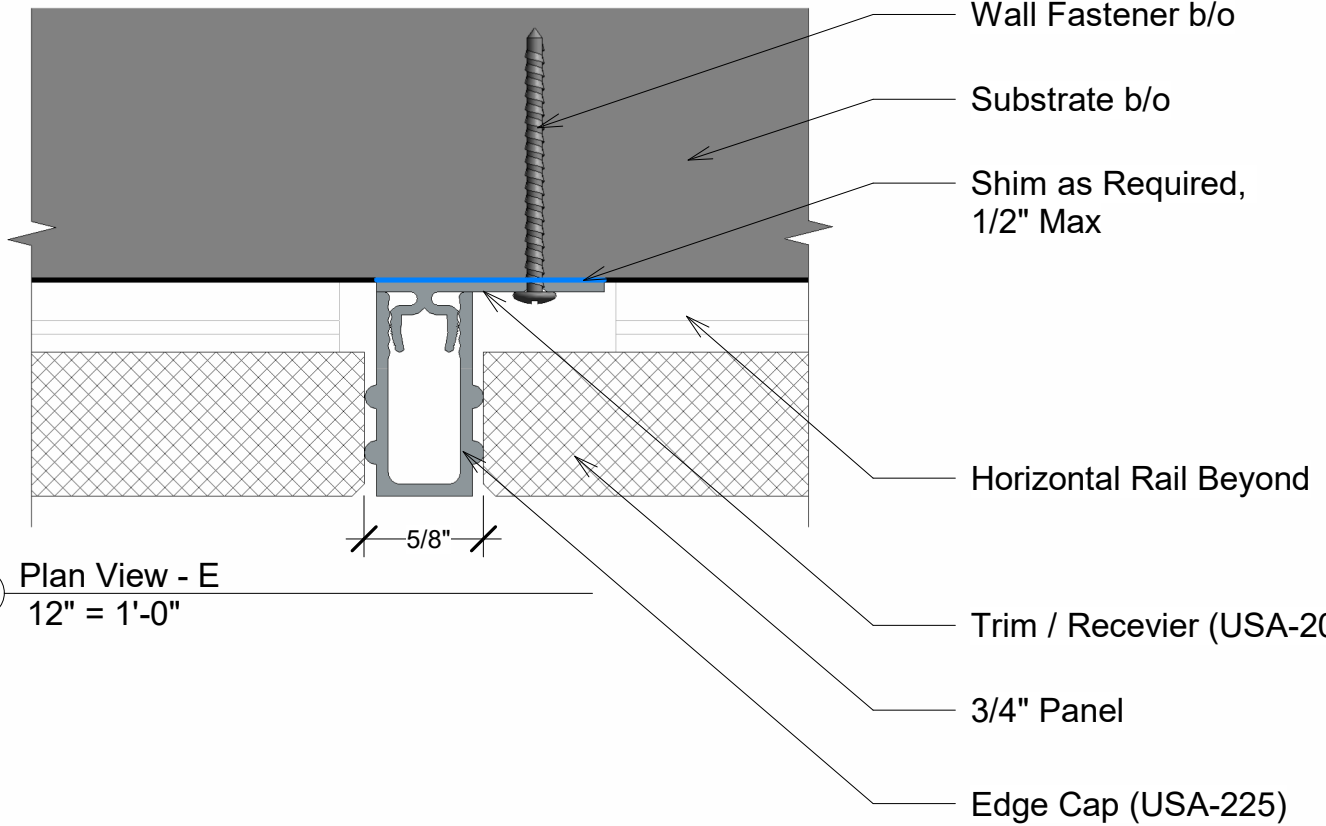
3 UAS-225 (D)  
Edge Cap



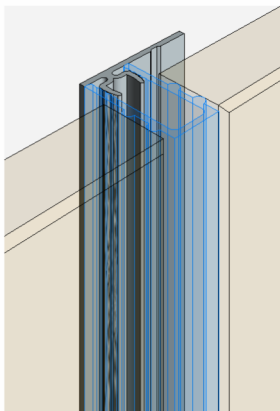
4 UAS-226 (D)  
Option Edge Cap

Title: <b>Vertical Edge</b>		View: <b>Plan</b>	Date: <b>03/22/24</b>	 <b>WPS</b> Wall Panel Systems, Inc. Tel: 877-333-4WPS support@wpsusa.com Web: www.wpsusa.com © 2012 Wall Panel Systems Inc.
Detail: <b>D</b>	System Type: <b>3/4" Universal Archit Sys. Hyb</b>	Scale: <b>Full</b>	Draw By: <b>WPS, Inc.</b>	

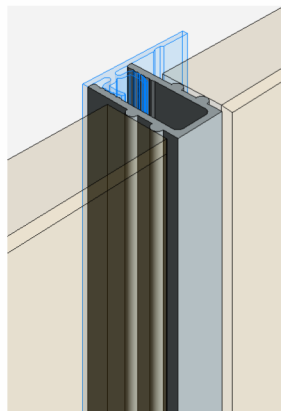
Universal Architectural can be utilized with, Plastic laminate, Wood veneer, and Aluminum/Metal laminate



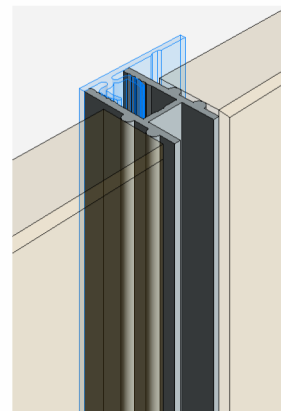
① Plan View - E  
12" = 1'-0"



② UAS-203 (E)  
Trim / Receiver



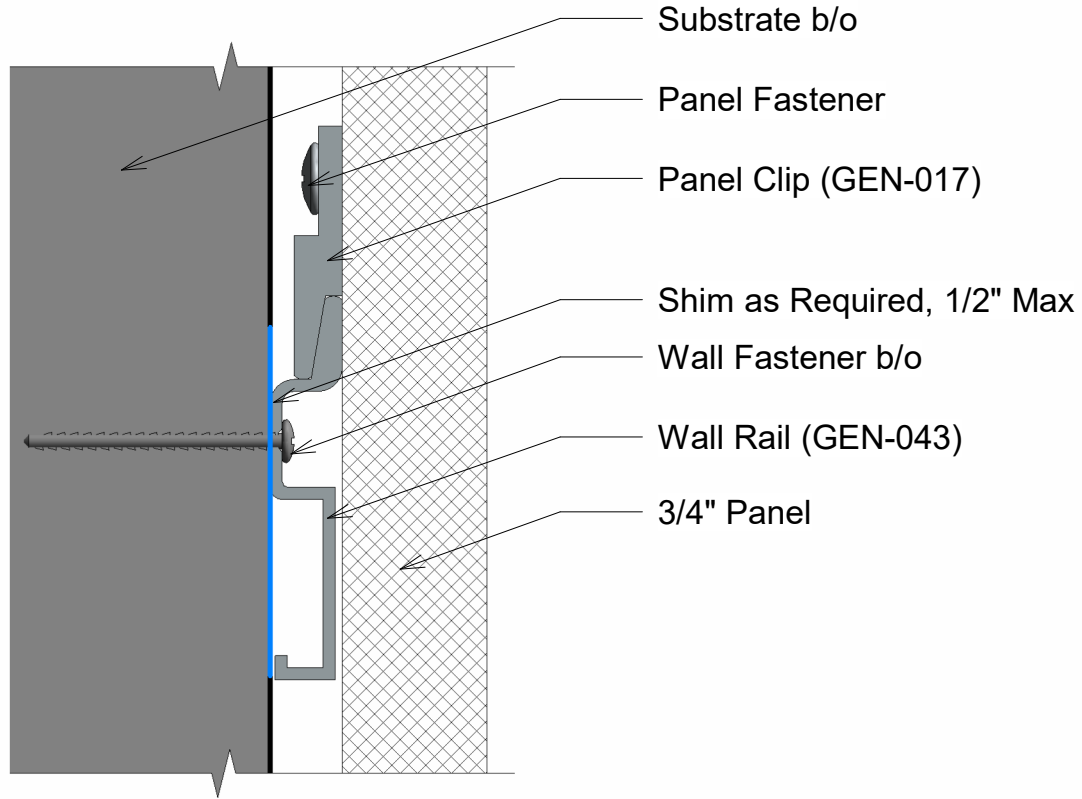
③ UAS-225 (E)  
Edge Cap



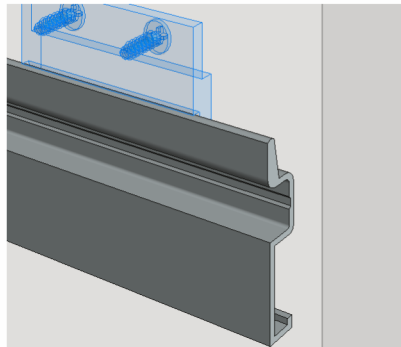
④ UAS-226 (E)  
Option Edge Cap

Title: <b>Vertical Reveal</b>		View: <b>Plan</b>	Date: <b>03/22/24</b>	 Wall Panel Systems, Inc. Tel: 877-333-4WPS support@wpsusa.com Web: www.wpsusa.com © 2012 Wall Panel Systems Inc.
Detail:	System Type:	Scale:	Draw By:	
<b>E</b>	<b>3/4" Universal Archit Sys. Hyb</b>	<b>Full</b>	<b>WPS, Inc.</b>	

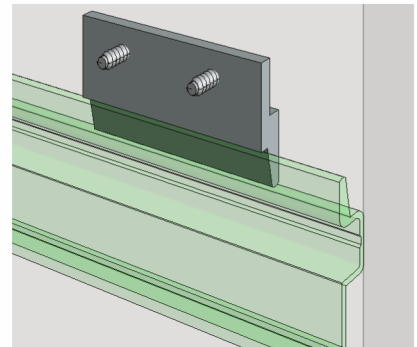
Universal Architectural can be utilized with, Plastic laminate, Wood veneer, and Aluminum/Metal laminate:



① Section F  
12" = 1'-0"

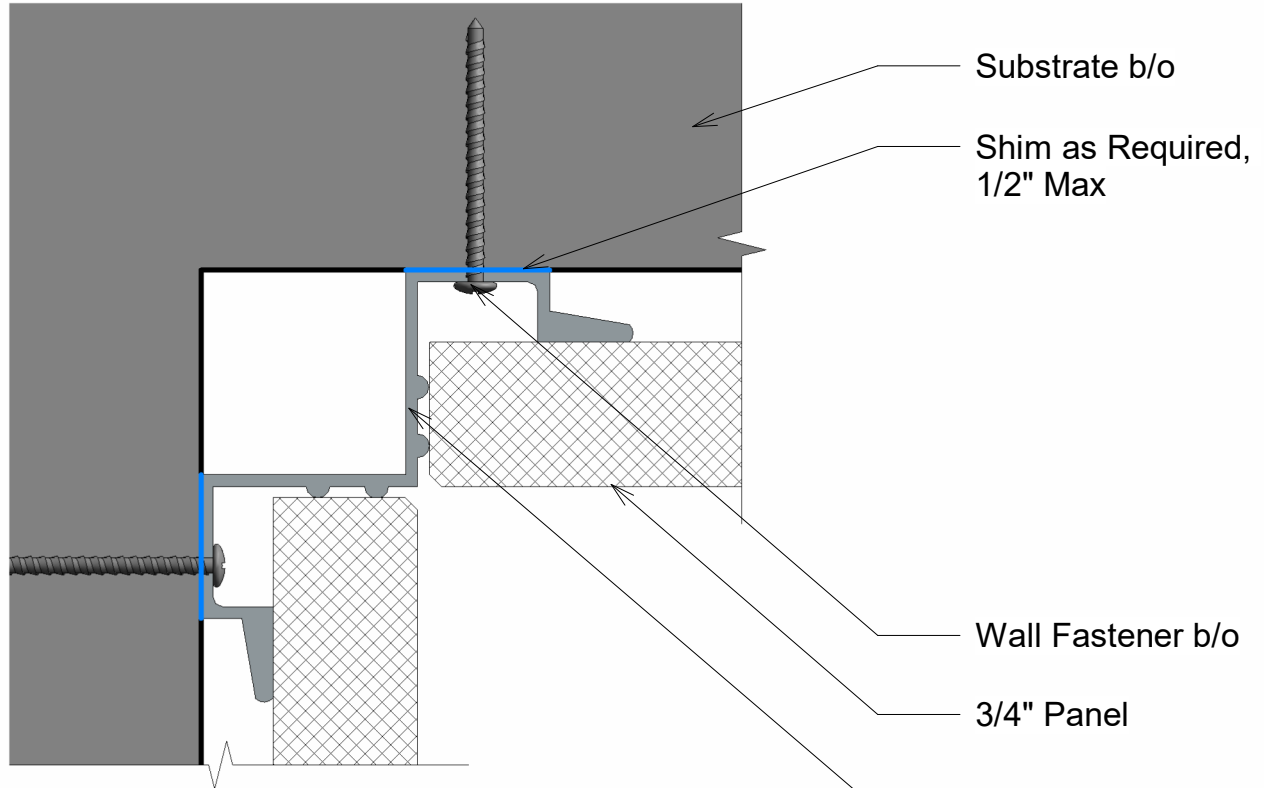


② GEN-043 (F)  
Wal Rail

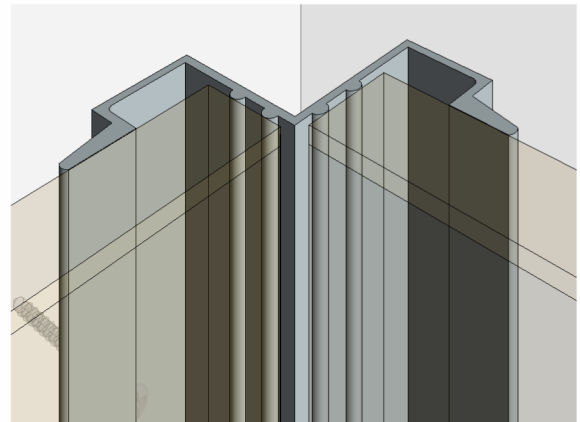


③ GEN-017 (F)  
Panel Clip


Title: <b>Mid-Wall Rail / Clip</b>		View: <b>Section</b>	Date: <b>03/22/24</b>	 Wall Panel Systems, Inc. Tel: 877-333-4WPS support@wpsusa.com Web: www.wpsusa.com © 2012 Wall Panel Systems Inc.
Detail: <b>F</b>	System Type: <b>3/4" Universal Archit Sys. Hyb</b>	Scale: <b>Full</b>	Draw By: <b>WPS, Inc.</b>	



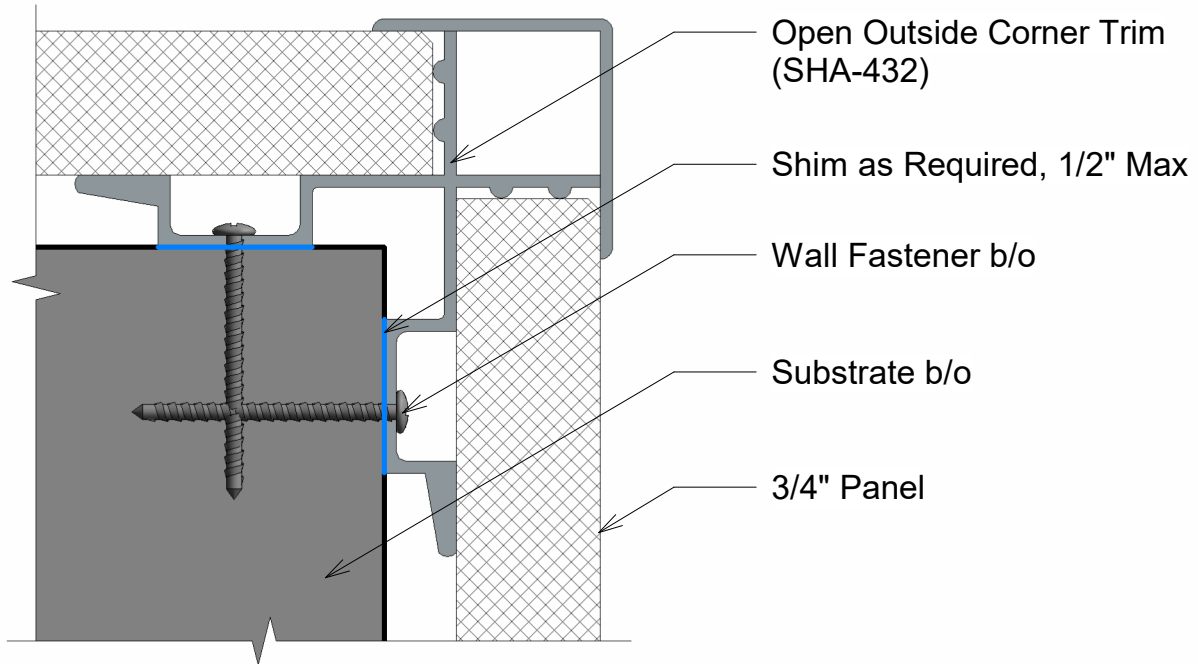
1 Plan View - G  
12" = 1'-0"



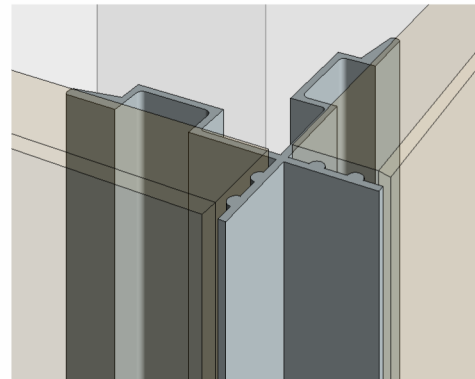
2 SHA-440 (G)  
Inside Corner Trim

Title: <b>Inside Corner</b>		View: <b>Plan</b>	Date: <b>03/22/24</b>	 <b>Wall Panel Systems, Inc.</b> Tel: 877-333-4WPS support@wpsusa.com Web: www.wpsusa.com © 2012 Wall Panel Systems Inc.
Detail: <b>G</b>	System Type: <b>3/4" Universal Archit Sys. Hyb</b>	Scale: <b>Full</b>	Draw By: <b>WPS, Inc.</b>	




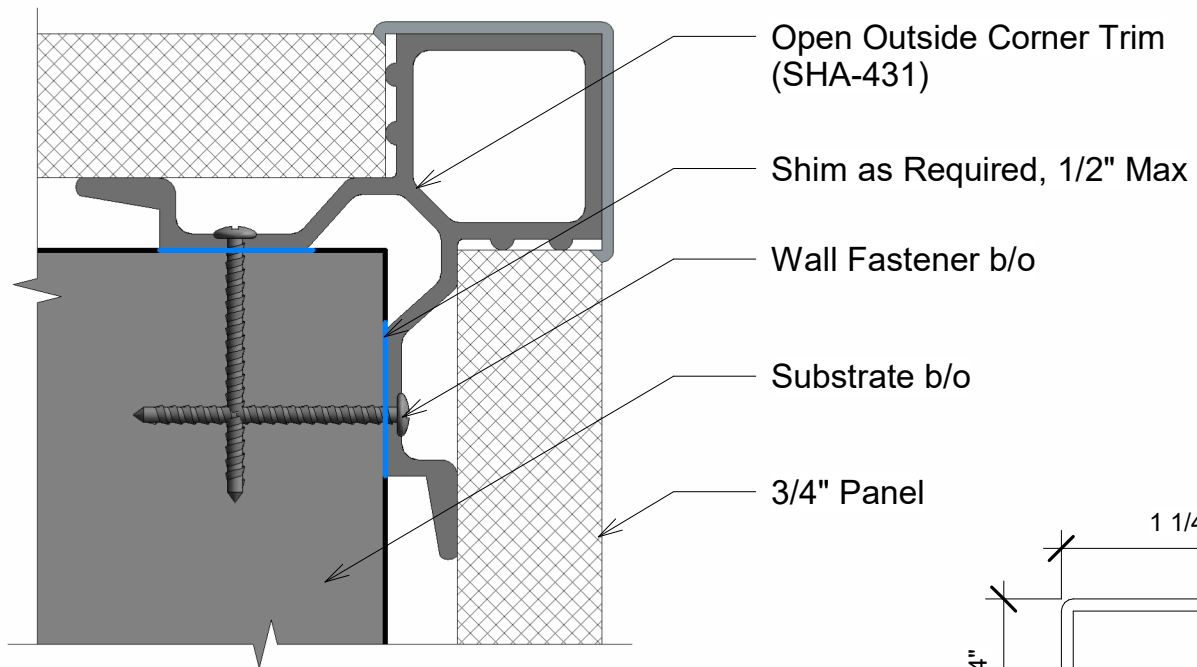


① Plan View - H  
12" = 1'-0"

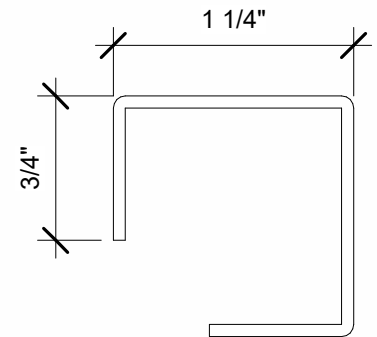


② SHA-432 (H)  
Open Outside Corner Trim

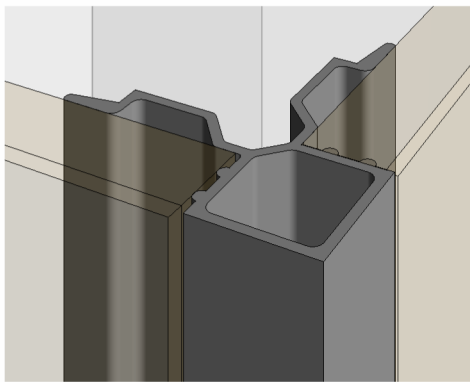
Title: <b>Outside Corner</b>		View: <b>Plan</b>	Date: <b>03/22/24</b>	 <b>Wall Panel Systems, Inc.</b> Tel: 877-333-4WPS support@wpsusa.com Web: www.wpsusa.com © 2012 Wall Panel Systems Inc.
Detail: <b>H</b>	System Type: <b>3/4" Universal Archit Sys. Hyb</b>	Scale: <b>Full</b>	Draw By: <b>WPS, Inc.</b>	



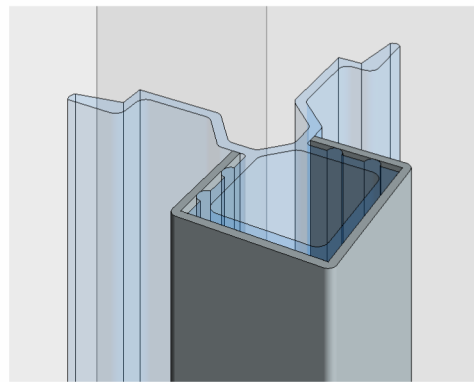
① Plan View - H.1  
12" = 1'-0"




③ SS Corner Guard  
12" = 1'-0"

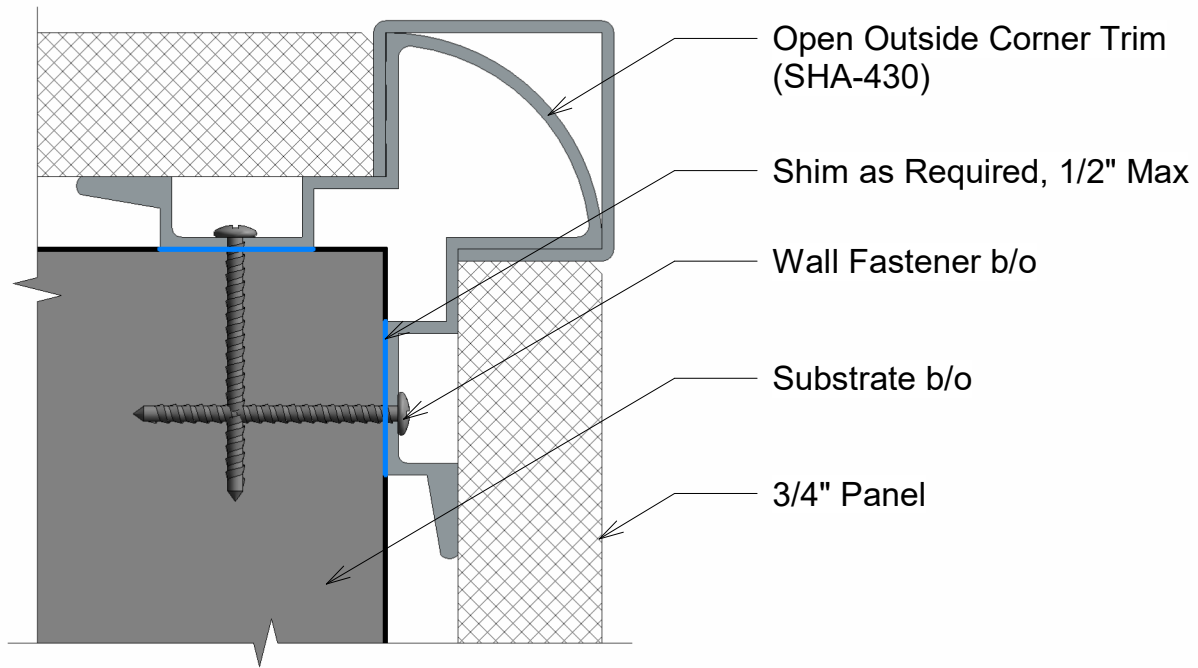


② SHA-431 (H.1)  
Corner Outside Corner Trim

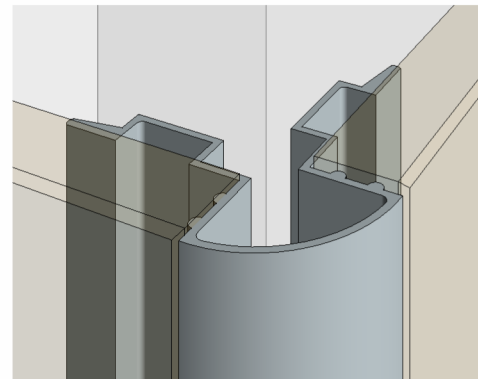


④ Optional (H.1)  
20 Ga. SS Brake-metal Corner Guard.


Title: <b>Outside Corner</b>		View: <b>Plan</b>	Date: <b>03/22/24</b>	 <b>Wall Panel Systems, Inc.</b> Tel: 877-333-4WPS support@wpsusa.com Web: www.wpsusa.com © 2012 Wall Panel Systems Inc.
Detail:	System Type:	Scale:	Draw By:	
<b>H.1</b>	<b>3/4" Universal Archit Sys. Hyb</b>	<b>Full</b>	<b>WPS, Inc.</b>	

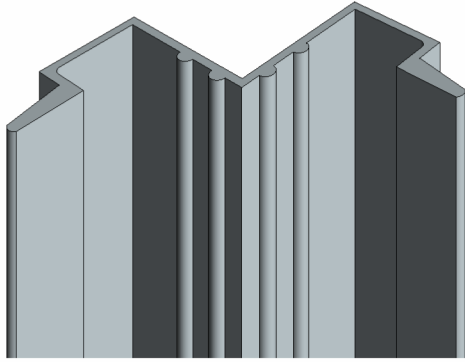


① Plan View - H.2  
12" = 1'-0"

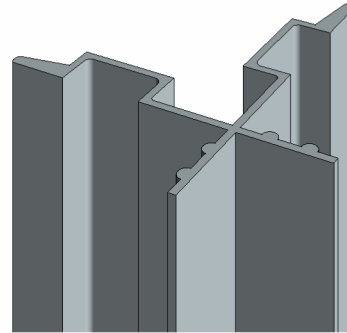


② SHA-430 (H.2)  
Open Outside Corner Trim

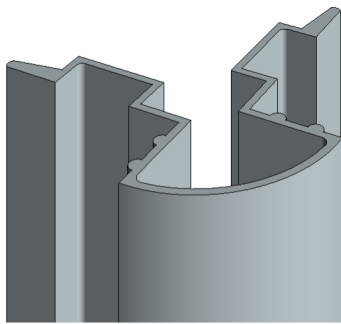
Title: <b>Outside Corner</b>		View: <b>Plan</b>	Date: <b>03/22/24</b>	 <b>Wall Panel Systems, Inc.</b> Tel: 877-333-4WPS support@wpsusa.com Web: www.wpsusa.com © 2012 Wall Panel Systems Inc.
Detail:	System Type: <b>H.3 3/4" Universal Archit Sys. Hyb</b>	Scale: <b>Full</b>	Draw By: <b>WPS, Inc.</b>	



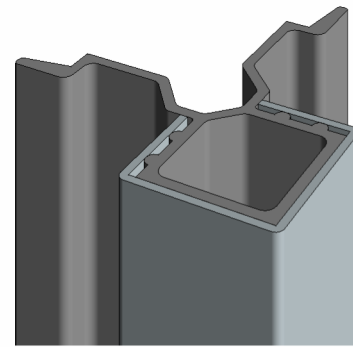
① **SHA-440 (U)**  
Inside Corner Trim




② **SHA-432 (U)**  
Open Outside Corner Trim

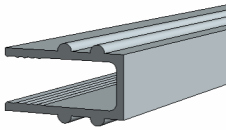


③ **SHA-430 (U)**  
Radius Outside Corner Trim

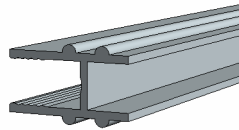


④ **SHA-431 (U)**  
Square Outside Corner Trim

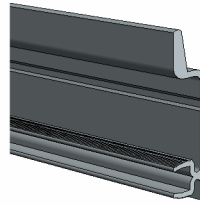
Title: <b>Parts List</b>		View: <b>3D</b>	Date: <b>03/22/24</b>	 <b>Wall Panel Systems, Inc.</b> Tel: 877-333-4WPS support@wpsusa.com Web: www.wpsusa.com © 2012 Wall Panel Systems Inc.
Detail: <b>U1</b>	System Type: <b>3/4" Universal Archit Sys. Hyb</b>	Scale: <b>N/A</b>	Draw By: <b>WPS, Inc.</b>	



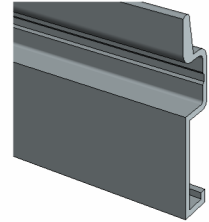
1 UAS-225 (U)  
Edge Cap



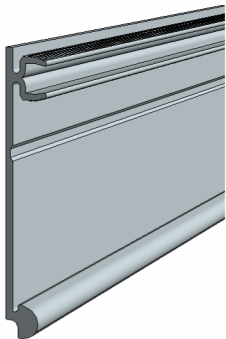
2 UAS-226 (U)  
Option Edge Cap



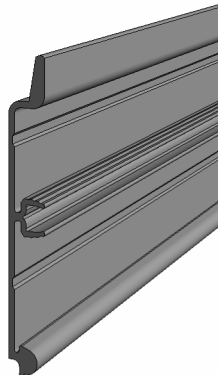
3 UAS-201 (U)  
Base Edge



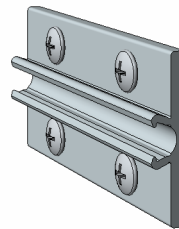
4 GEN-043 (U)  
Wall Rail



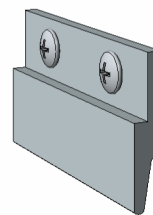
5 UAS-202 (U)  
Top Edge Trim



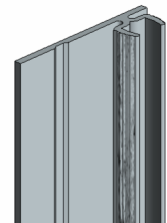
6 UAS-625.1 (U)  
Horizontal Reveal



7 FMC-022 (U)  
Panel Clip



9 GEN-017 (U)  
Panel Clip



8 UAS-203 (U)  
Trim / Receiver

Title:		View:	Date:	 Wall Panel Systems, Inc. Tel: 877-333-4WPS support@wpsusa.com Web: www.wpsusa.com © 2012 Wall Panel Systems Inc.
<b>Parts List</b>		<b>3D</b>	<b>03/22/24</b>	
Detail:	System Type:	Scale:	Draw By:	
<b>U2</b>	<b>3/4" Universal Archit Sys. Hyb</b>	<b>N/A</b>	<b>WPS, Inc.</b>	