
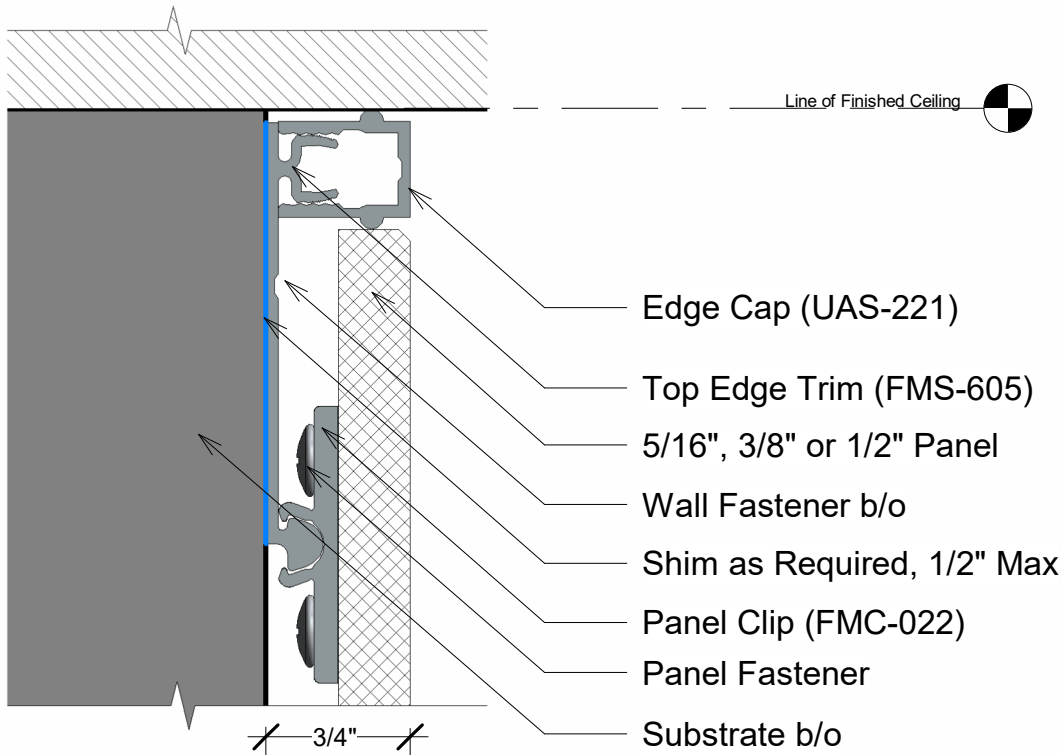
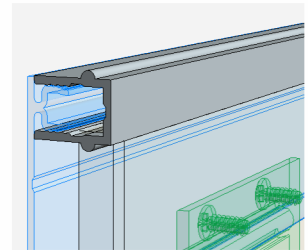


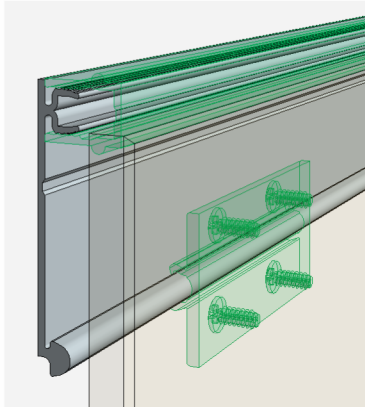
Title:		View:		Date:	
Installation Instruction 3-D Model		3D		03/22/24	
Detail:	System Type:	Scale:	Drawn By:		
0	3/8" Universal Architectural System (Hybrid)	N/A	WPS, Inc.		
 Wall Panel System, Inc. Tel: 877-333-4WPS support@wpsusa.com Web: www.wpsusa.com © 2007 Wall Panel Systems Inc.					



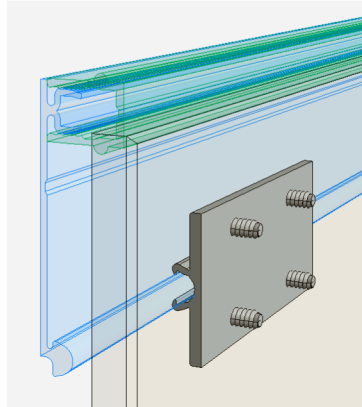
1 Section A
12" = 1'-0"



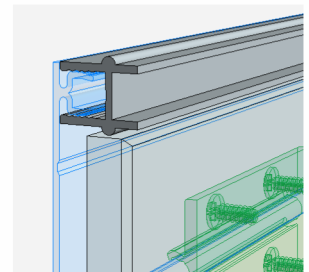
4 UAS-221 (A)
Edge Cap



2 FMS-605 (A)
Top Edge Trim

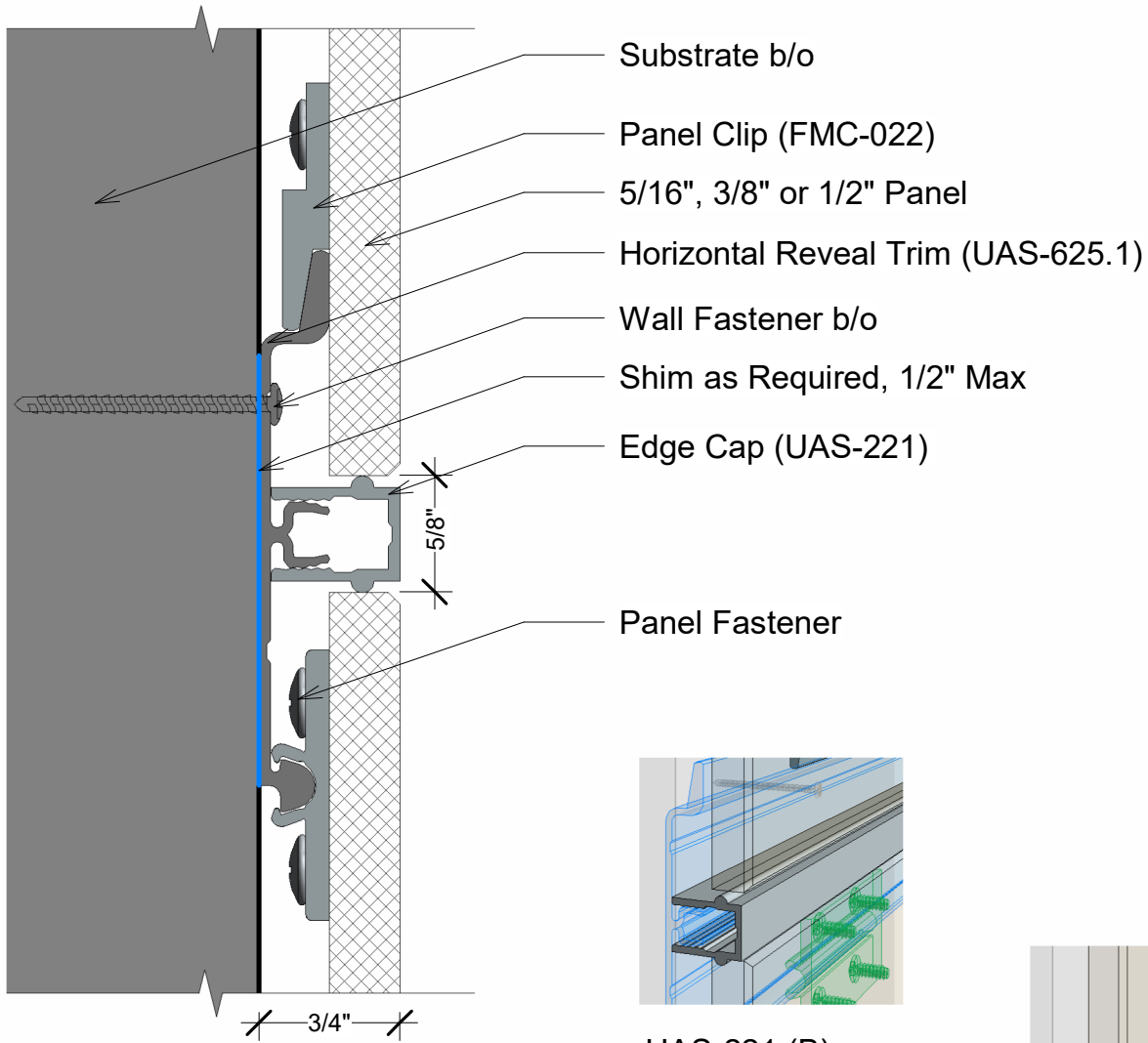


3 FMC-022 (A)
Panel Clip



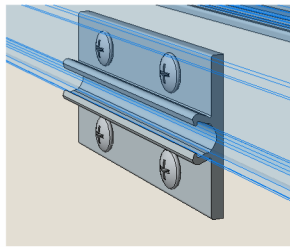
5 UAS-224 (A)
Option Edge Cap

Title: Top Edge / Head Termination		View: Section	Date: 03/22/24	 Wall Panel Systems, Inc. Tel: 877-333-4WPS support@wpsusa.com Web: www.wpsusa.com © 2012 Wall Panel Systems Inc.
Detail: A	System Type: 3/8" Universal Architect Sys. Hyb	Scale: Full	Draw By: WPS, Inc.	

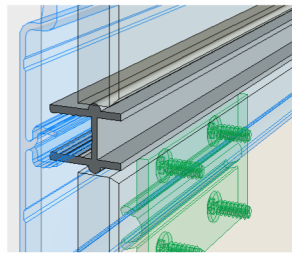


1 Section B
12" = 1'-0"

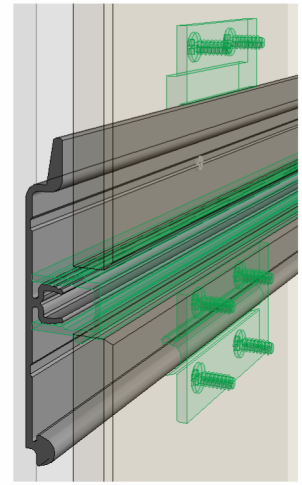
3 UAS-221 (B)
Edge Cap




2 FMC-022 (B)
Panel Clip



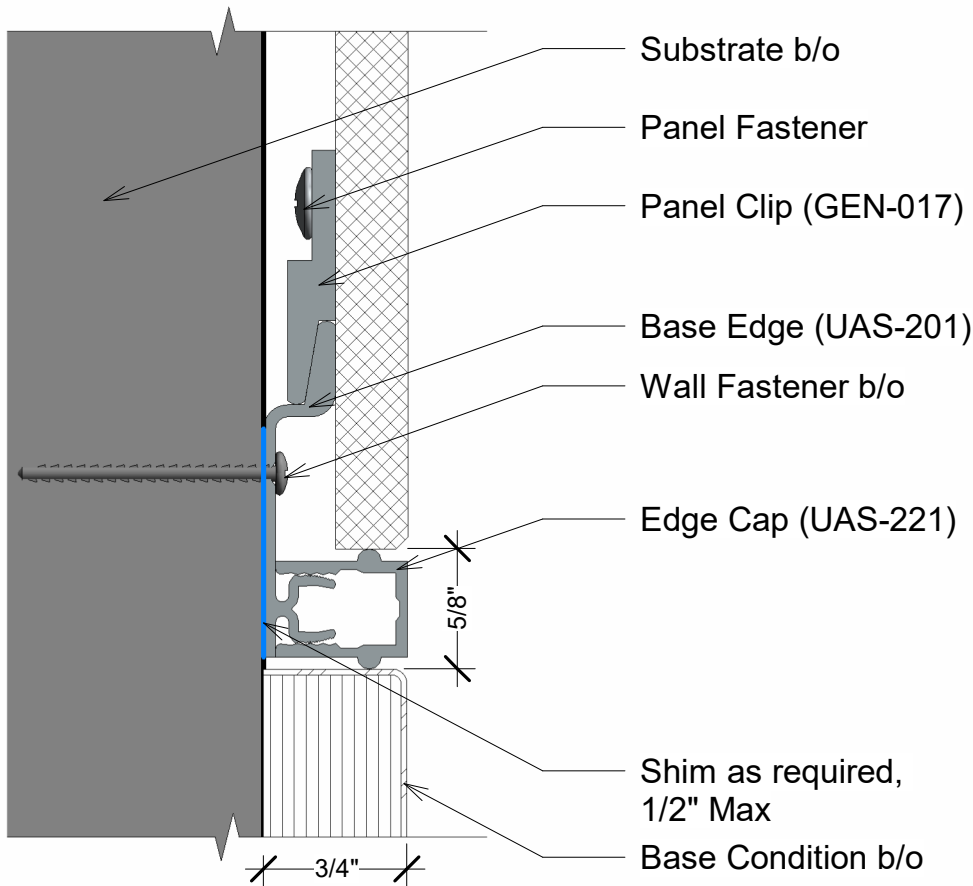
4 UAS-224 (B)
Option Edge Cap



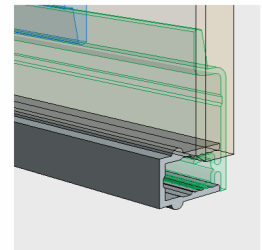
5 FMU-625.1 (B)
Horizontal Reveal Trim

Title:		View:	Date:	 Wall Panel Systems, Inc. Tel: 877-333-4WPS support@wpsusa.com Web: www.wpsusa.com © 2012 Wall Panel Systems Inc.
Horizontal Reveal		Section	03/22/24	
Detail:	System Type:	Scale:	Draw By:	
B	3/8" Universal Architect Sys. Hyb	Full	WPS, Inc.	

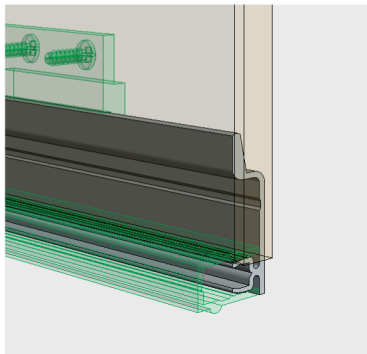
UAS can be utilized with, Phenolic, Glass and Fiber Glass Panels



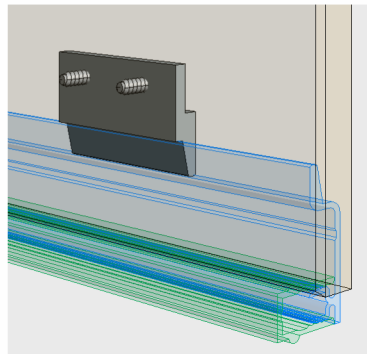
1 Section C
12" = 1'-0"



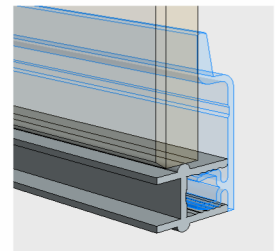
4 UAS-221 (C)
Edge Cap




2 FMU-605 (C)
Base Edge

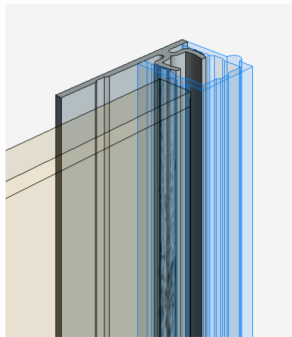
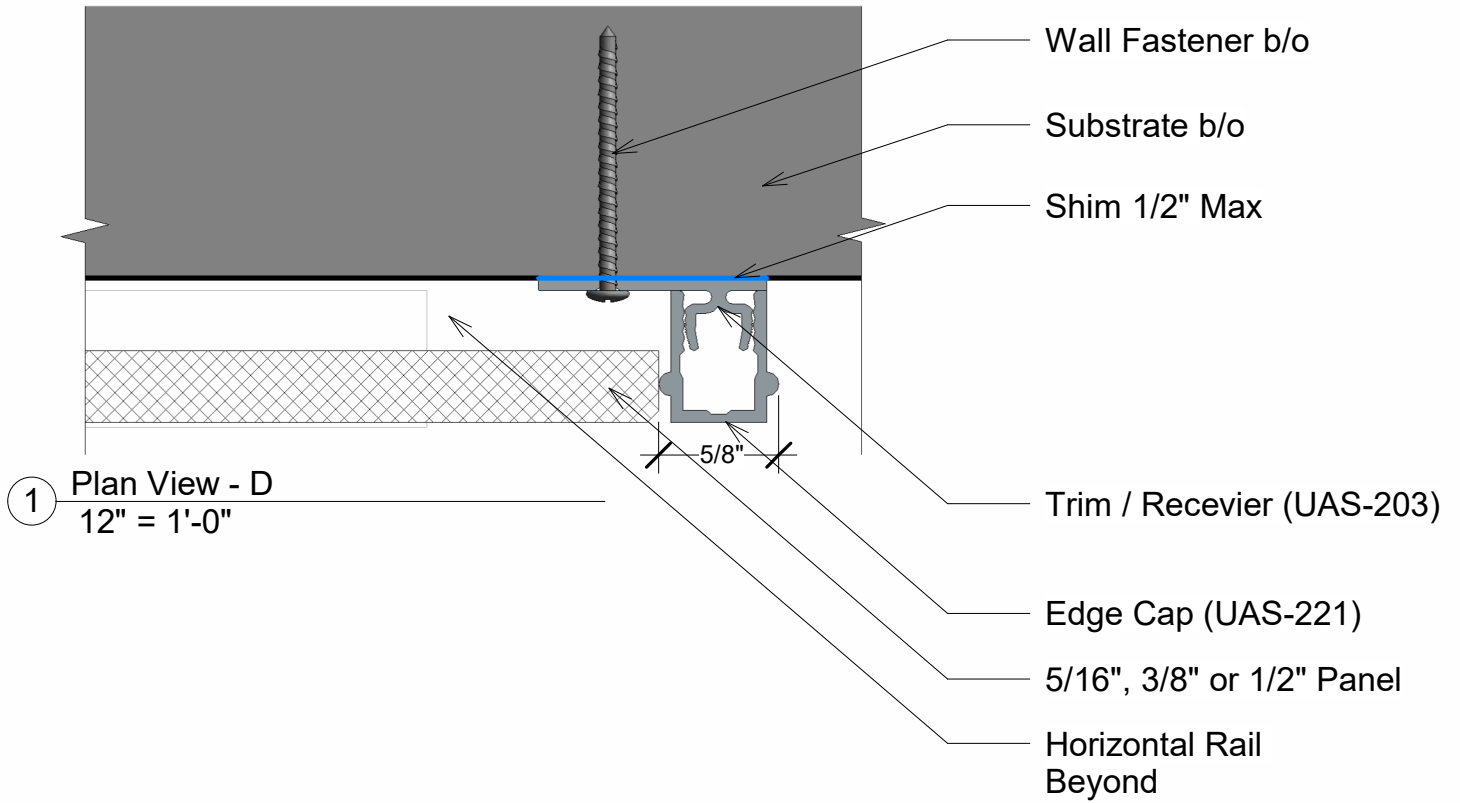


3 FMC-022 (C)
Panel Clip

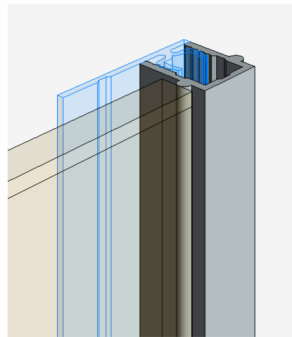


5 UAS-224 (C)
Option Edge Cap

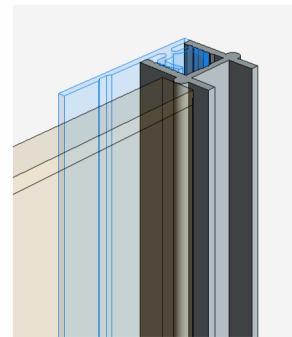
Title: Base Edge / Panel Termination		View: Section	Date: 03/22/24	 Wall Panel Systems, Inc. Tel: 877-333-4WPS support@wpsusa.com Web: www.wpsusa.com © 2012 Wall Panel Systems Inc.
Detail: C	System Type: 3/8" Universal Architect Sys. Hyb	Scale: Full	Draw By: WPS, Inc.	




2 UAS-203 (D)
Trim / Receiver



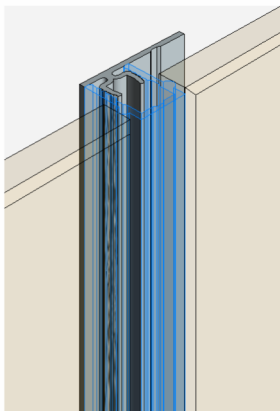
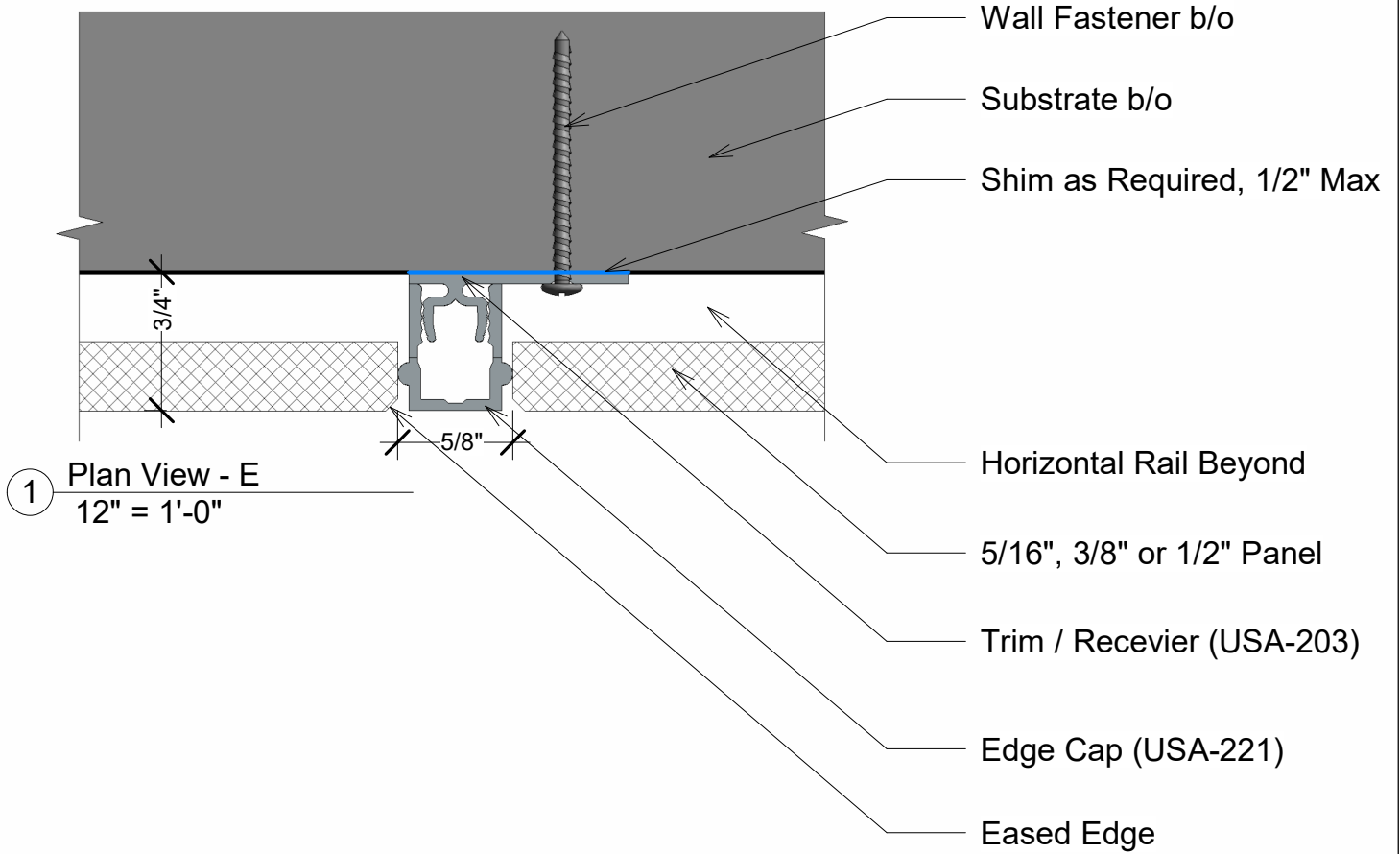
3 UAS-221 ()
Edge Cap



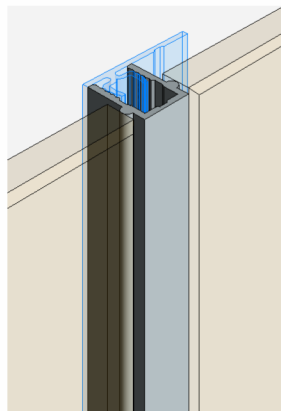
4 UAS-224 (D)
Option Edge Cap

Title: Vertical Edge		View: Full	Date: 03/22/24	 Wall Panel Systems, Inc. Tel: 877-333-4WPS support@wpsusa.com Web: www.wpsusa.com © 2012 Wall Panel Systems Inc.
Detail: D	System Type: 3/8" Universal Architect Sys. Hyb	Scale: Full	Draw By: WPS, Inc.	

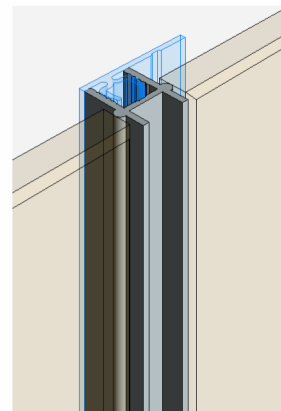
UAS can be utilized with, Phenolic, Glass and Fiber Glass Panels




2 UAS-203 (E)
Trim / Receiver



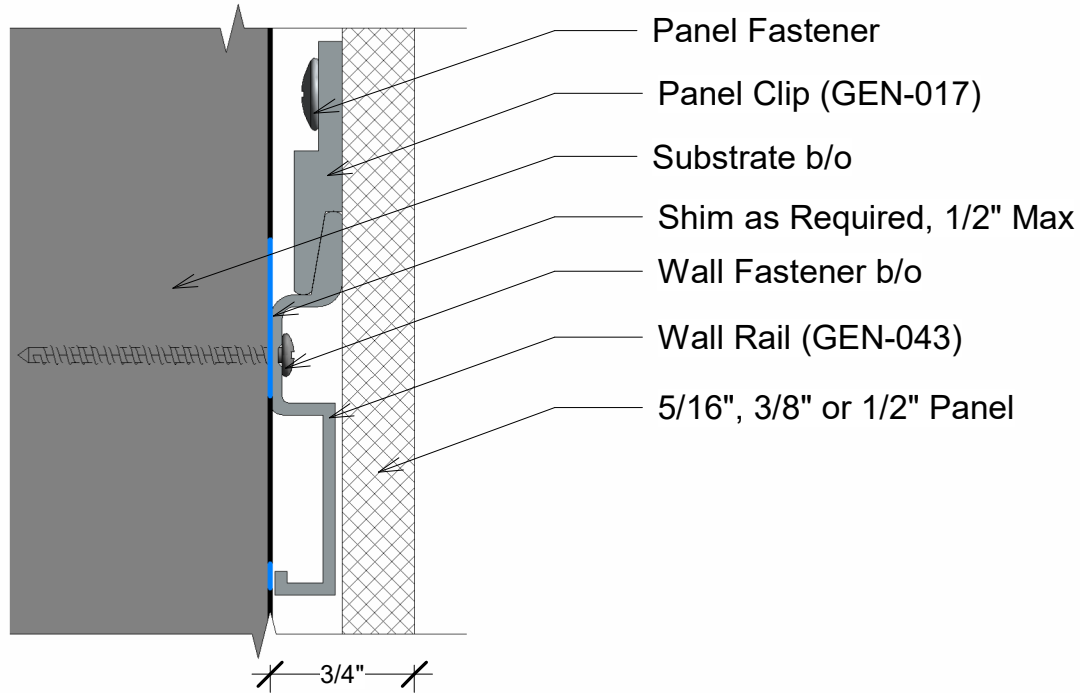
3 UAS-221 (E)
Edge Cap



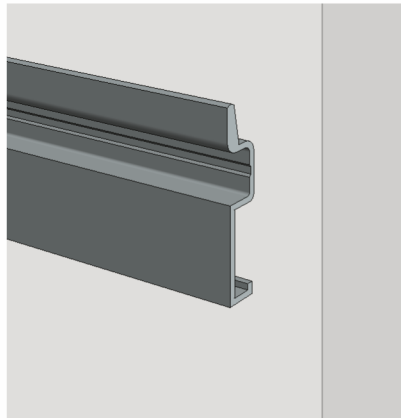
4 UAS-224 (E)
Option Edge Cap

Title:		View:	Date:	 Wall Panel Systems, Inc. Tel: 877-333-4WPS support@wpsusa.com Web: www.wpsusa.com © 2012 Wall Panel Systems Inc.
Vertical Joint Trim		Plan	03/22/24	
Detail:	System Type:	Scale:	Draw By:	
E	3/8" Universal Architect Sys. Hyb	Full	WPS, Inc.	

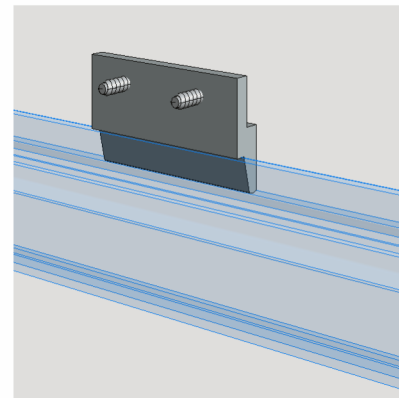
UAS can be utilized with, Phenolic, Glass and Fiber Glass Panels




① Section F
12" = 1'-0"



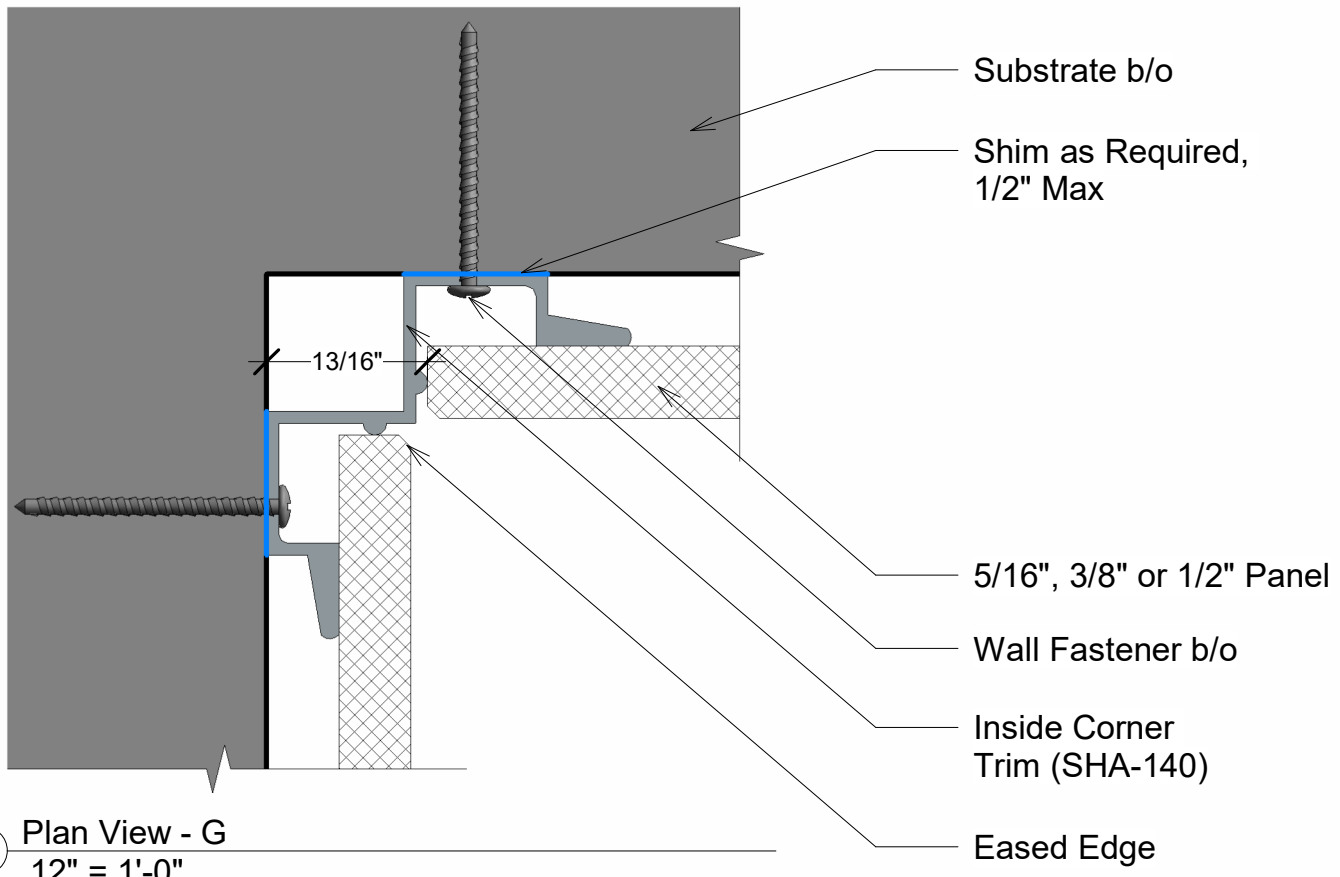
② GEN-043 (F)
Wal Rail



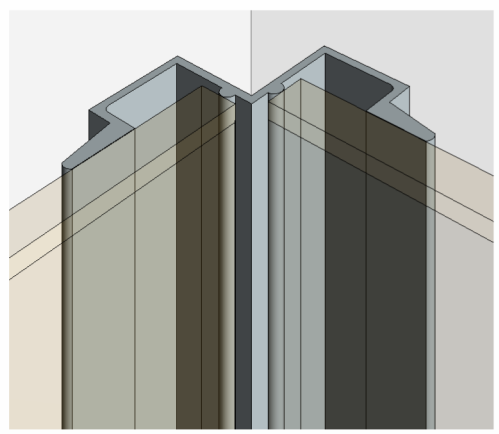
③ GEN-017 (F)
Panel Clip

Title: Mid-Wall Rail / Clip		View: Section	Date: 03/22/24	 Wall Panel Systems, Inc. Tel: 877-333-4WPS support@wpsusa.com Web: www.wpsusa.com © 2012 Wall Panel Systems Inc.
Detail: F	System Type: 3/8" Universal Architect Sys. Hyb	Scale: Full	Draw By: WPS, Inc.	


UAS can be utilized with, Phenolic, Glass and Fiber Glass Panels

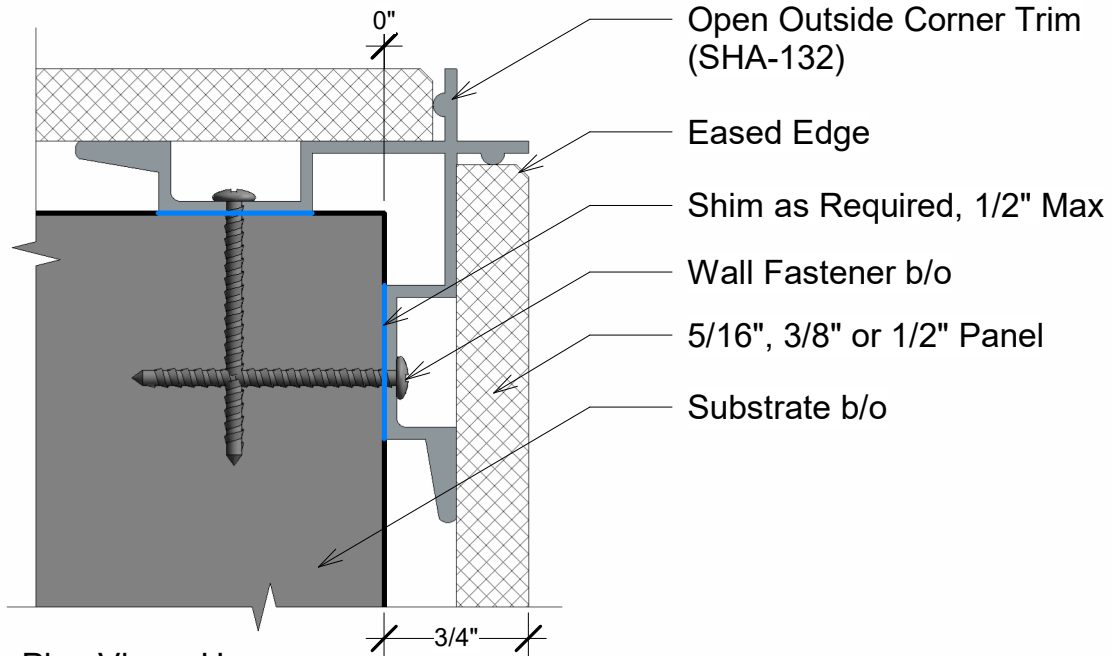


① Plan View - G
12" = 1'-0"

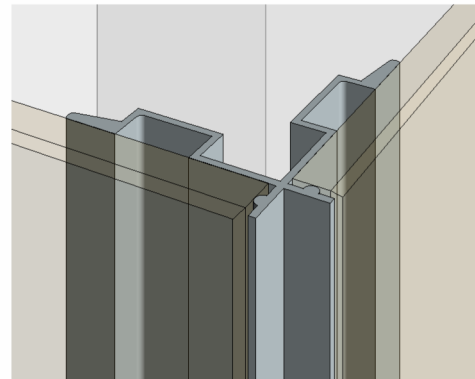


② SHA-140 (G)
Inside Corner Trim


Title: Inside Corner		View: Plan	Date: 03/22/24	 Wall Panel Systems, Inc. Tel: 877-333-4WPS support@wpsusa.com Web: www.wpsusa.com © 2012 Wall Panel Systems Inc.
Detail: G	System Type: 3/8" Universal Architect Sys. Hyb	Scale: Full	Draw By: WPS, Inc.	

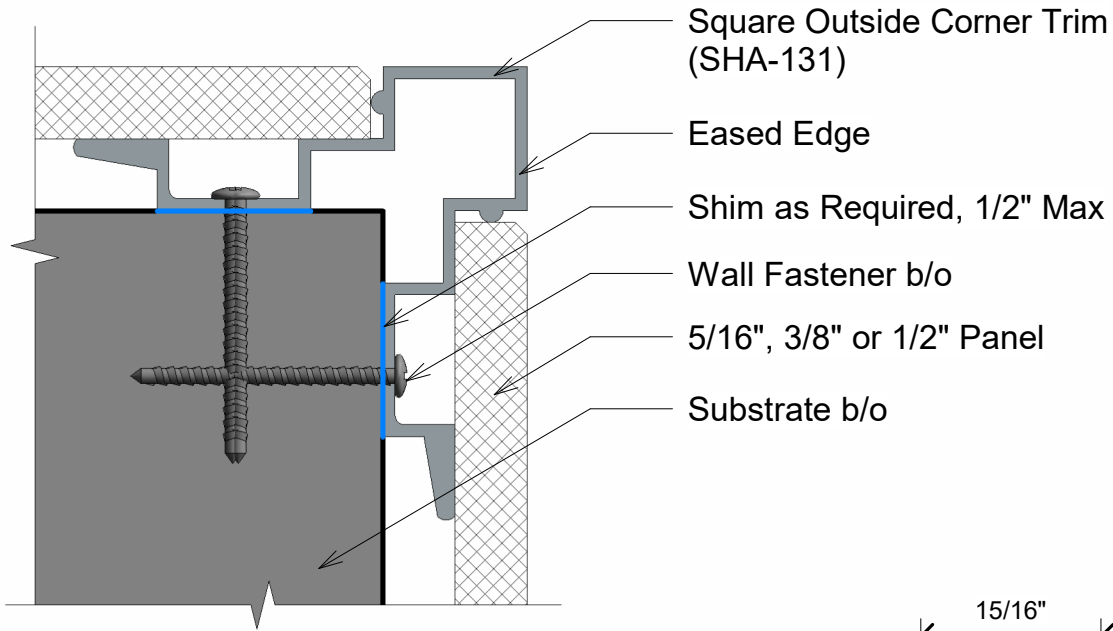


① Plan View - H
12" = 1'-0"

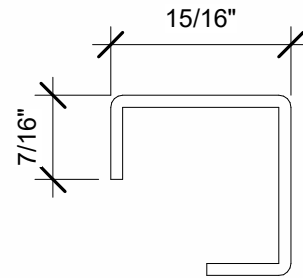


② SHA-132 (H)
Open Outside Corner Trim

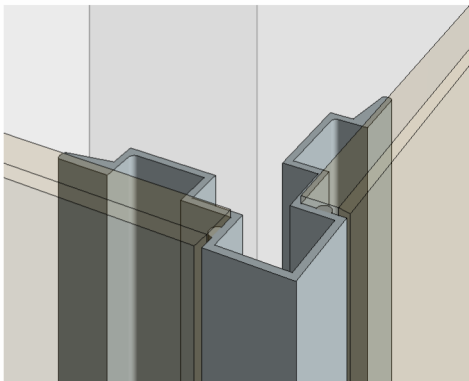
Title:		View:	Date:	 Wall Panel Systems, Inc. Tel: 877-333-4WPS support@wpsusa.com Web: www.wpsusa.com © 2012 Wall Panel Systems Inc.
Outside Corner		Plan	03/22/24	
Detail:	System Type:	Scale:	Draw By:	
H	3/8" Universal Architect Sys. Hyb	Full	WPS, Inc.	



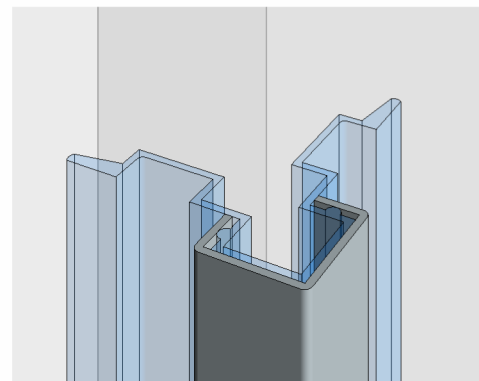
1 Plan View - H Copy 1
12" = 1'-0"




3 Square Cover
12" = 1'-0"

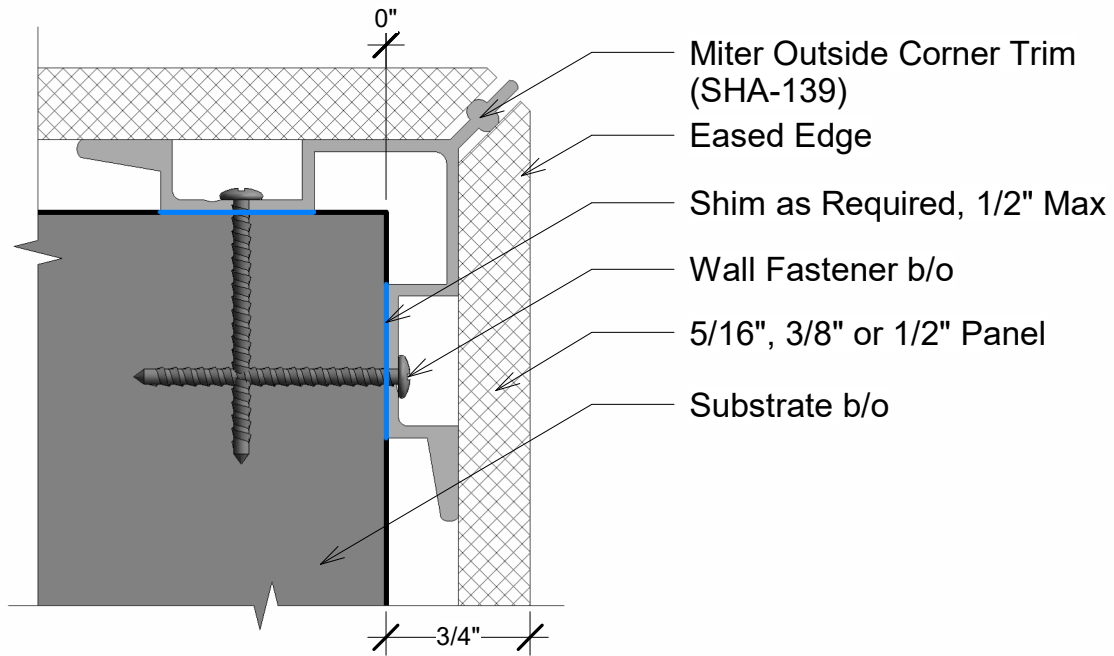


2 SHA-131 (H)
Square Outside Corner Trim

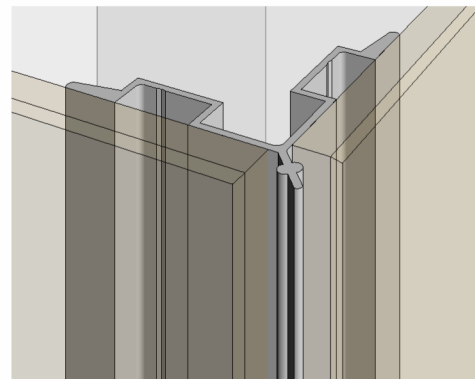


4 Optional (H) Copy 2


Title: Outside Corner		View: Plan	Date: 03/22/24	 Wall Panel Systems, Inc. Tel: 877-333-4WPS support@wpsusa.com Web: www.wpsusa.com © 2012 Wall Panel Systems Inc.
Detail: H.1	System Type: 3/8" Universal Architect Sys. Hyb	Scale: Full	Draw By: WPS, Inc.	

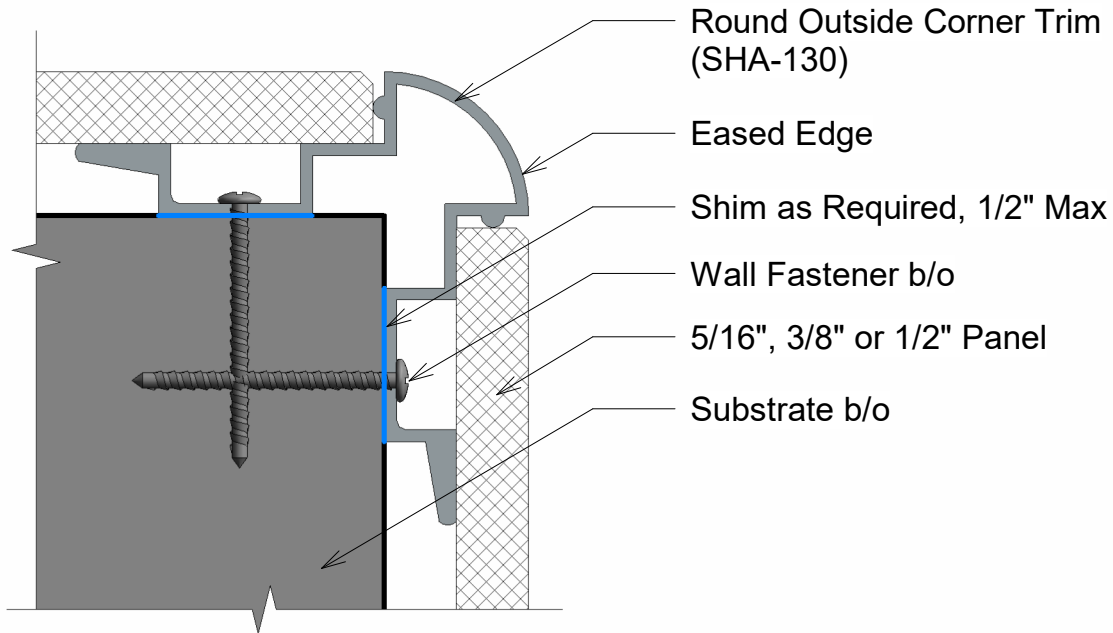


① Plan View - H Copy 2
12" = 1'-0"

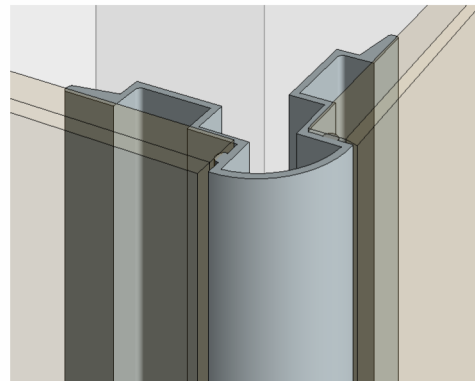


② SHA-139 (H)
Miter Outside Corner Trim


Title:		View:	Date:	 Wall Panel Systems, Inc. Tel: 877-333-4WPS support@wpsusa.com Web: www.wpsusa.com © 2012 Wall Panel Systems Inc.
Outside Corner		Plan	03/22/24	
Detail:	System Type:	Scale:	Draw By:	
H.2	3/8" Universal Architect Sys. Hyb	Full	WPS, Inc.	

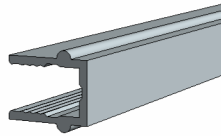


① Plan View - H Copy 3
12" = 1'-0"

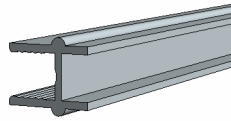


② SHA-130 (H)
Round Outside Corner Trim

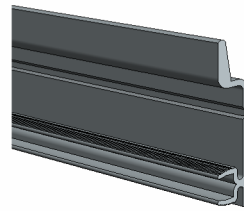
Title: Outside Corner		View: Plan	Date: 03/22/24	 Wall Panel Systems, Inc. Tel: 877-333-4WPS support@wpsusa.com Web: www.wpsusa.com © 2012 Wall Panel Systems Inc.
Detail: H.3	System Type: 3/8" Universal Architect Sys. Hyb	Scale: Full	Draw By: WPS, Inc.	



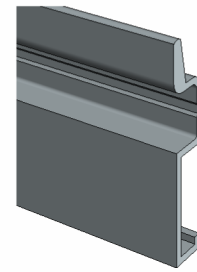
1 UAS-221 (U)
Edge Cap



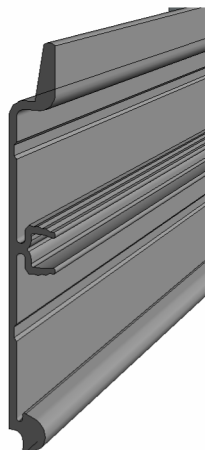
2 UAS-224 (U)
Option Edge Cap



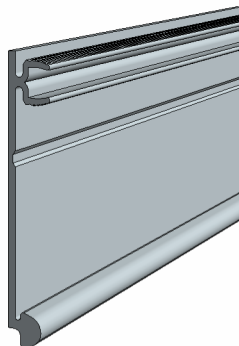
3 UAS-201 (U)
Base Edge Trim



4 GEN-043 (U)
Wall Rail



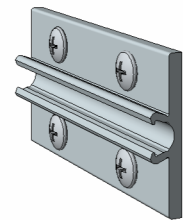
5 FMU-625.1 (U)
Horizontal Reveal



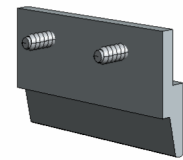
6 FMU-605 (U)
Top Edge Trim




7 UAS-203 (U)
Trim / Receiver

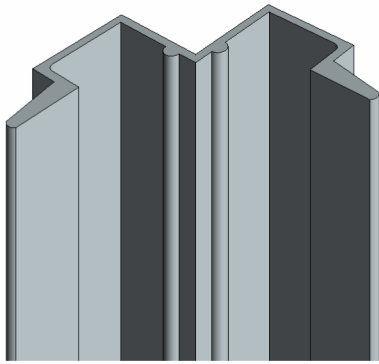


8 FMC-022 (U)
Panel Clip

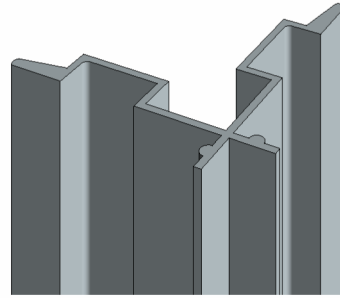


9 GEN-017 (U)
Panel Clip

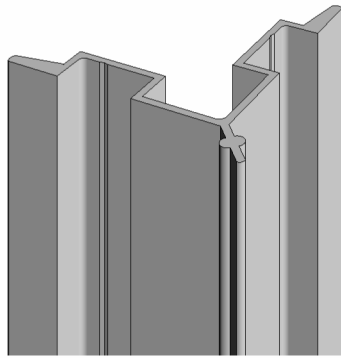
Title:		View:	Date:	 Wall Panel Systems, Inc. Tel: 877-333-4WPS support@wpsusa.com Web: www.wpsusa.com © 2012 Wall Panel Systems Inc.
Parts List		3D	03/22/24	
Detail:	System Type:	Scale:	Draw By:	
U1	3/8" Universal Architect Sys. Hyb	N/A	WPS, Inc.	



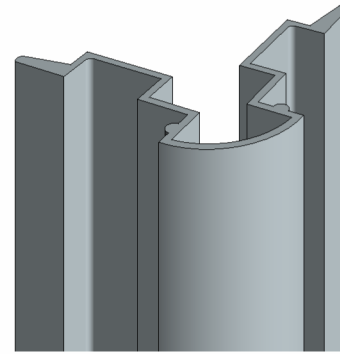
① **SHA-140 (U)**
Inside Corner Trim



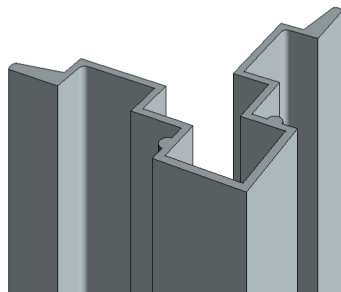
② **SHA-132 (U)**
Open Outside Corner Trim




③ **SHA-139 (U)**
Miter Outside Corner Trim



④ **SHA-130 (U)**
Radius Outside Corner Trim



⑤ **SHA-131 (U)**
Square Outside Corner Trim

Title:		View:	Date:	 Wall Panel Systems, Inc. Tel: 877-333-4WPS support@wpsusa.com Web: www.wpsusa.com © 2012 Wall Panel Systems Inc.
Parts List		3D	03/22/24	
Detail:	System Type:	Scale:	Draw By:	
U2	3/8" Universal Architect Sys. Hyb	N/A	WPS, Inc.	