
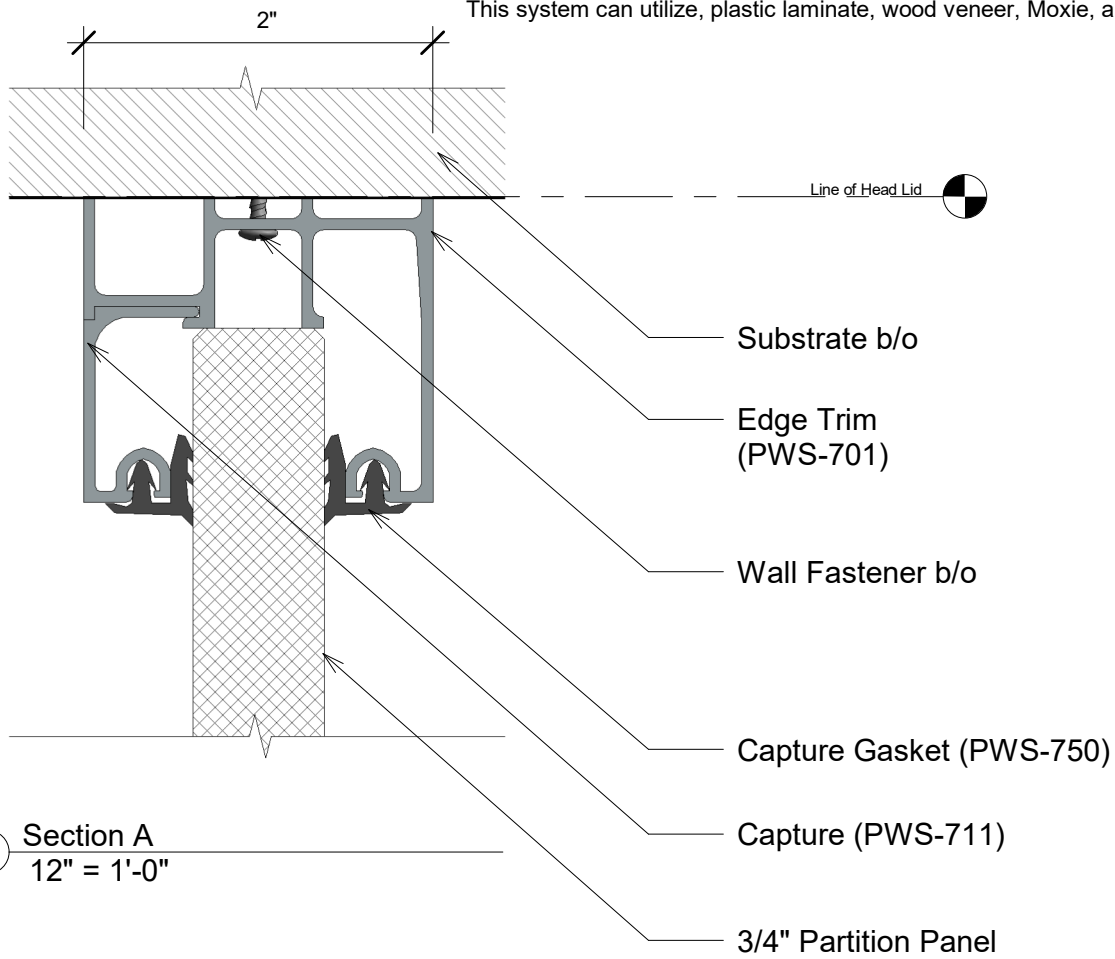
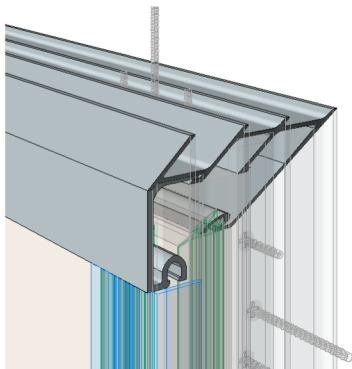


Title: Installation Instruction 3-D Model		View: 3D	Date: 03/18/22	 Wall Panel System, Inc. Tel: 877-333-4WPS support@wpsusa.com Web: www.wpsusa.com © 2013 Wall Panel Systems Inc.
Detail: 0	System Type: Partition Wall System	Scale: N/A	Drawn By: WPS, Inc.	

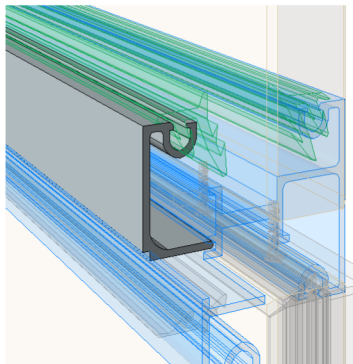
This system can utilize, plastic laminate, wood veneer, Moxie, and Richter panels.



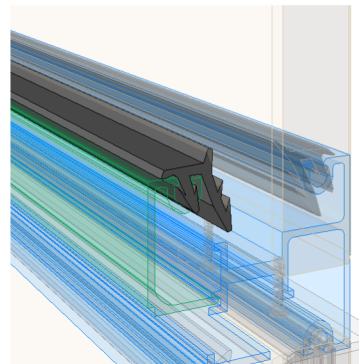
① Section A
12" = 1'-0"




② PWS-701 (A)
Edge Trim



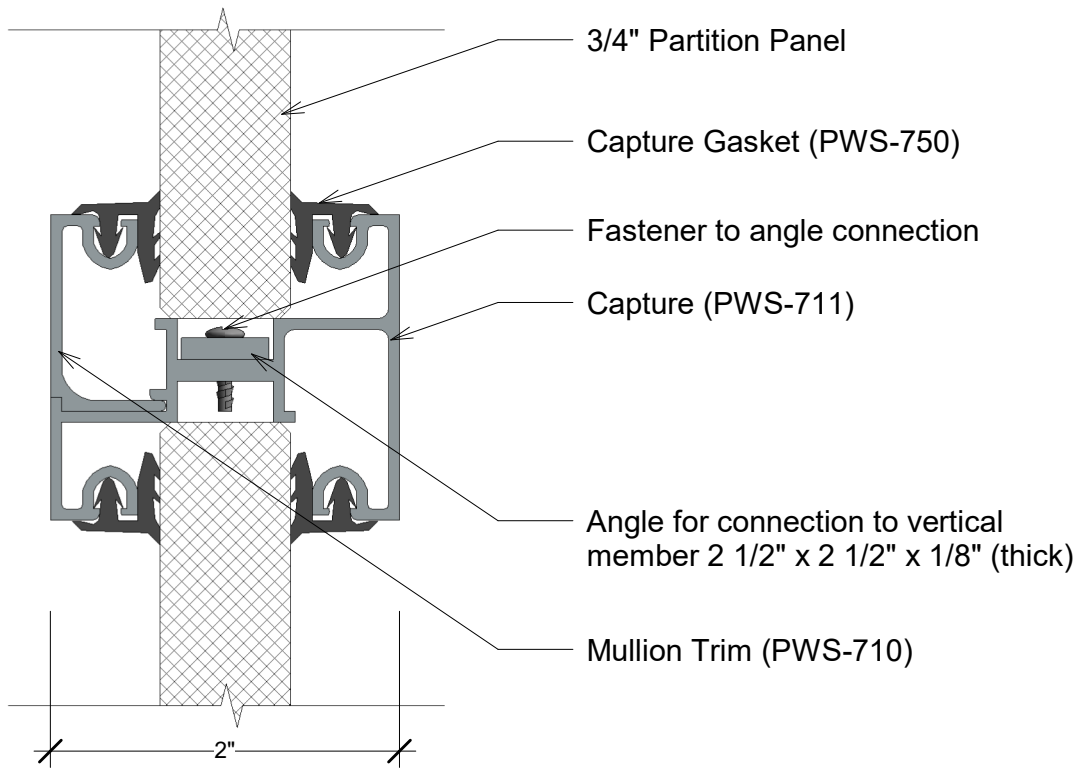
③ PWS-711 (A)
Capture



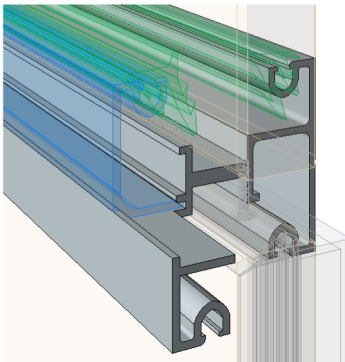
④ PWS-750 (A)
Capture Gasket

Title: Top Edge		View: Section	Date: 03/18/22	 Wall Panel Systems, Inc. Tel: 877-333-4WPS support@wpsusa.com Web: www.wpsusa.com © 2013 Wall Panel Systems Inc.
Detail: A	System Type: Partition Wall System	Scale: Full	Draw By: WPS, Inc.	

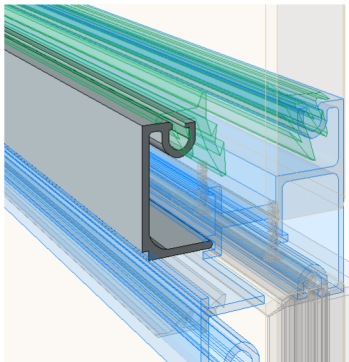
This system can utilize, plastic laminate, wood veneer, Moxie, and Richter panels.



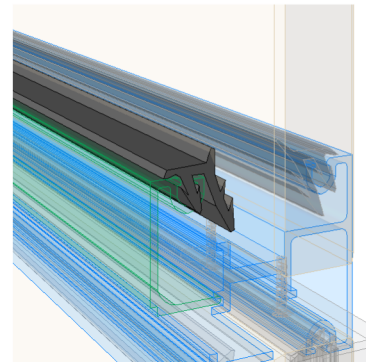
① Section B
12" = 1'-0"




② PWS-710 (B)
Mullion Trim



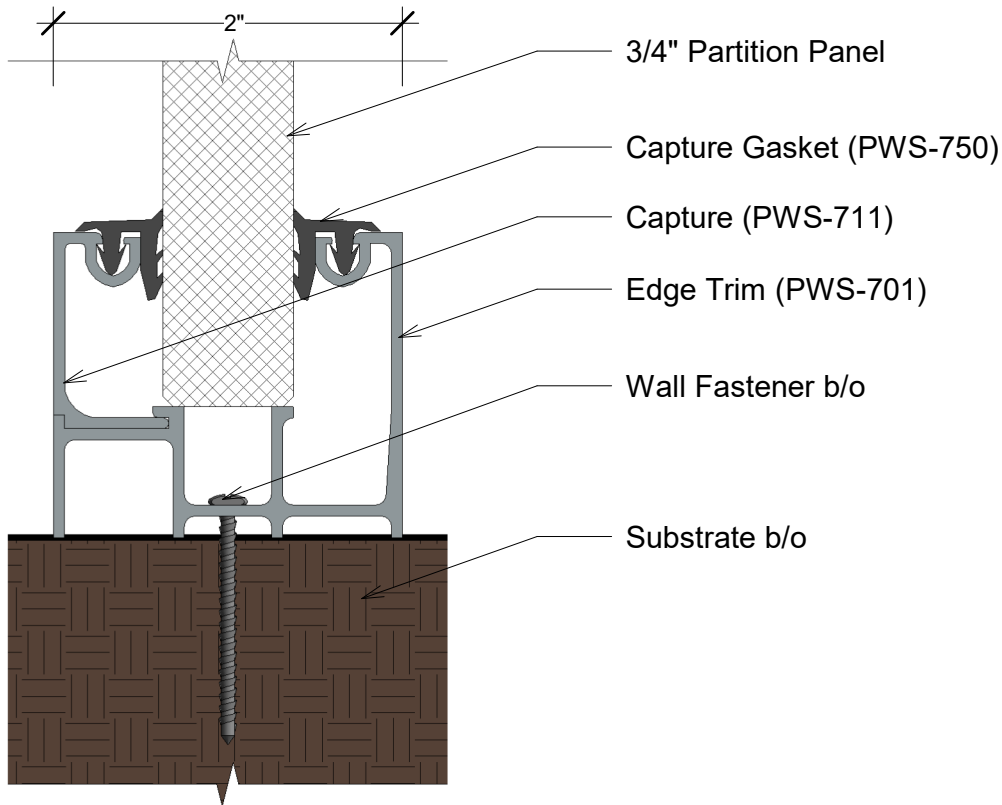
③ PWS-711 (B)
Capture



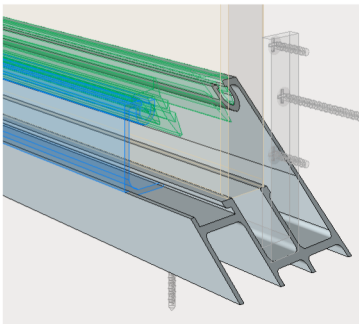
④ PWS-750 (B)
Capture Gasket

Title:		View:		Date:		 WPS Wall Panel Systems, Inc. Tel: 877-333-4WPS support@wpsusa.com Web: www.wpsusa.com © 2013 Wall Panel Systems Inc.
Horizontal Reveal		Section		03/18/22		
Detail:	System Type:	Scale:	Draw By:			
B	Partition Wall System	Full	WPS, Inc.			

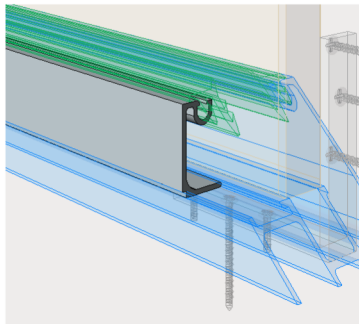
This system can utilize, plastic laminate, wood veneer, Moxie, and Richter panels.



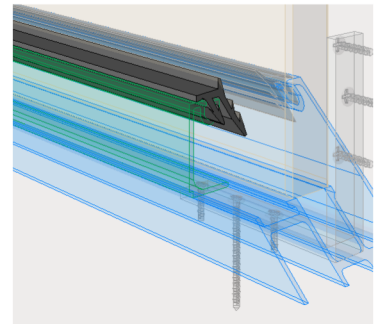
1 Section C
12" = 1'-0"




2 PWS-701 (C)
Edge Trim



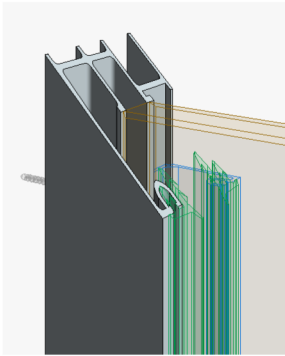
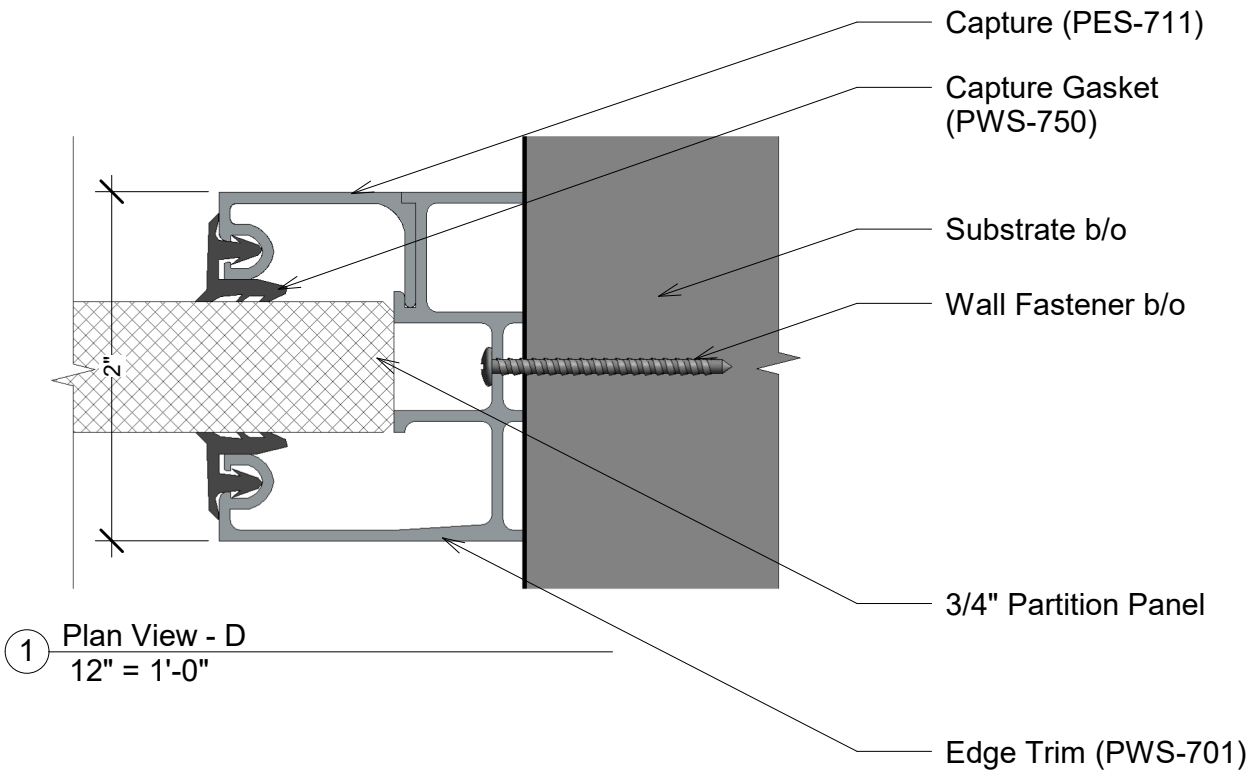
3 PWS-711 (C)
Capture



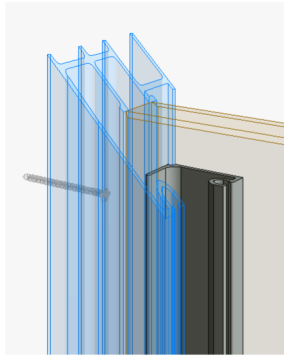
4 PWS-750 (C)
Capture Gasket

Title: Base Edge		View: Section	Date: 03/18/22	 Wall Panel Systems, Inc. Tel: 877-333-4WPS support@wpsusa.com Web: www.wpsusa.com © 2013 Wall Panel Systems Inc.
Detail: C	System Type: Partition Wall System	Scale: Full	Draw By: WPS, Inc.	

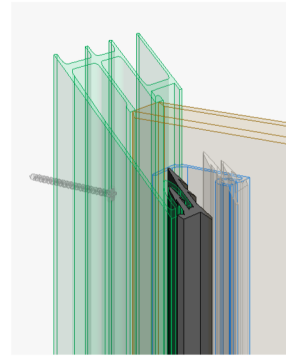
This system can utilize, plastic laminate, wood veneer, Moxie, and Richter panels.




② PWS-701 (D)
Edge Trim



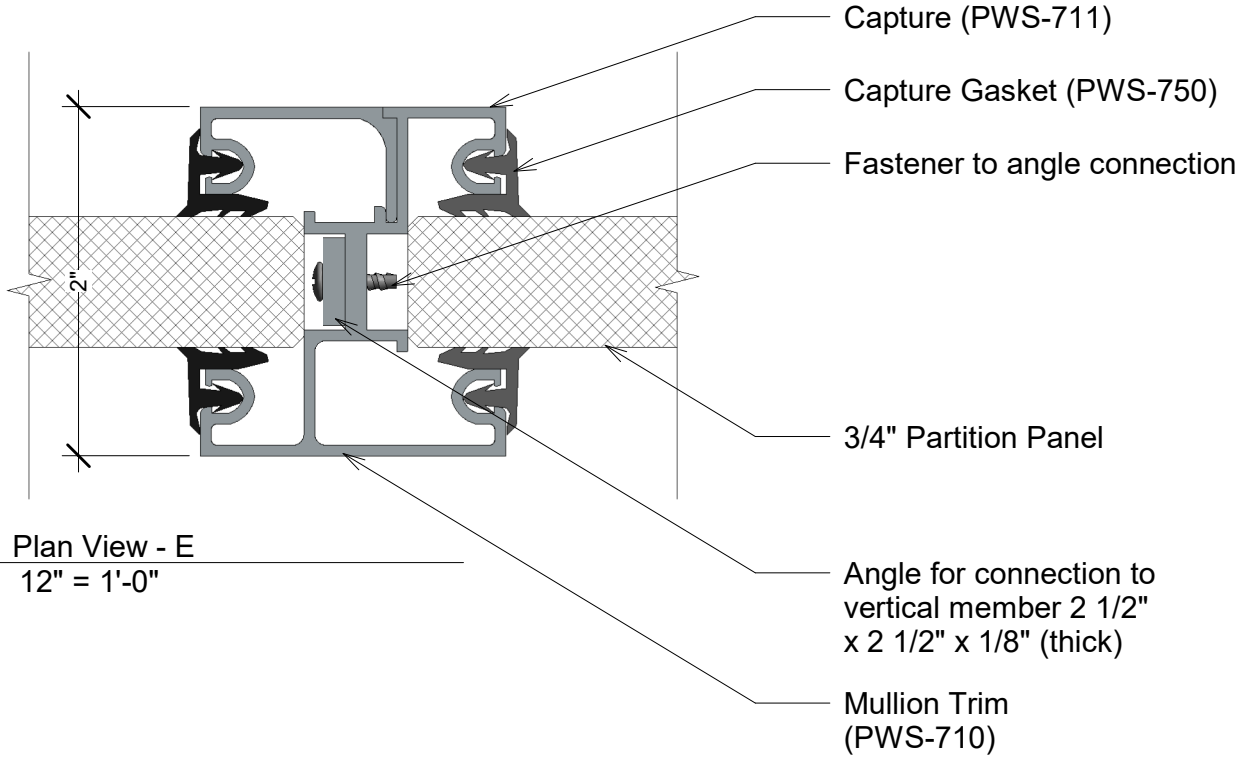
③ PWS-711 (D)
Capture



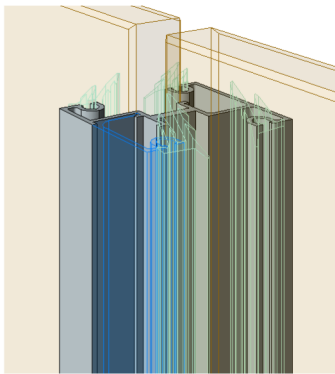
④ PWS-750 (D)
Capture Gasket

Title: Vertical Edge		View: Plan	Date: 03/18/22	 Wall Panel Systems, Inc. Tel: 877-333-4WPS support@wpsusa.com Web: www.wpsusa.com © 2013 Wall Panel Systems Inc.
Detail: D	System Type: Partition Wall System	Scale: Full	Draw By: WPS, Inc.	

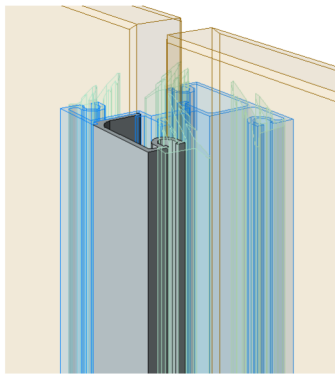
This system can utilize, plastic laminate, wood veneer, Moxie, and Richter panels.



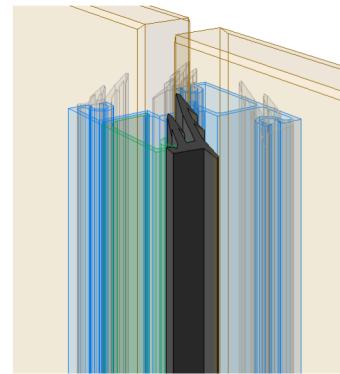
1 Plan View - E
12" = 1'-0"



2 PWS-710 (E)
Mullion Trim



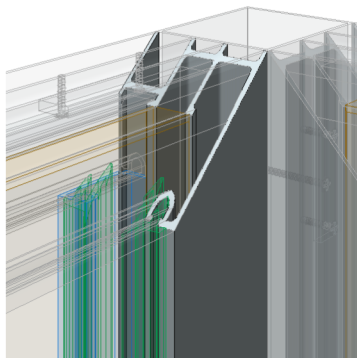
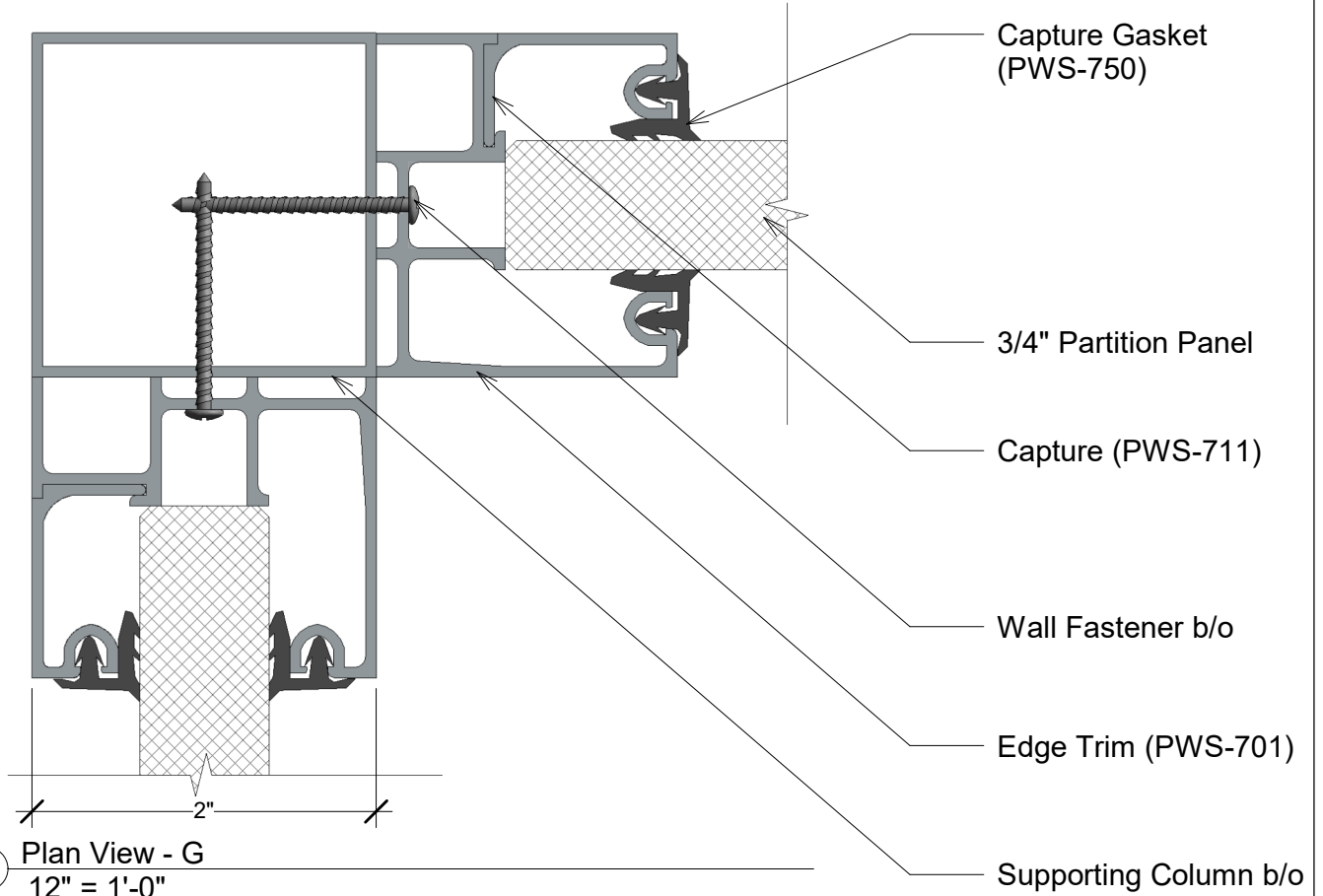
3 PWS-711 (E)
Capture



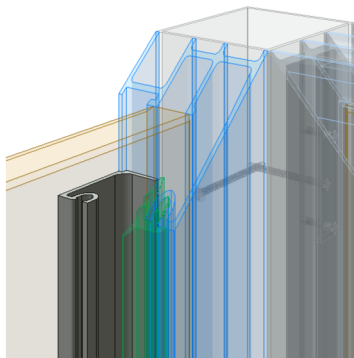
4 PWS-750 (E)
Capture Gasket

Title: Vertical Reveal		View: Plan	Date: 03/18/22	 Wall Panel Systems, Inc. Tel: 877-333-4WPS support@wpsusa.com Web: www.wpsusa.com © 2013 Wall Panel Systems Inc.
Detail: E	System Type: Partition Wall System	Scale: Full	Draw By: WPS, Inc.	

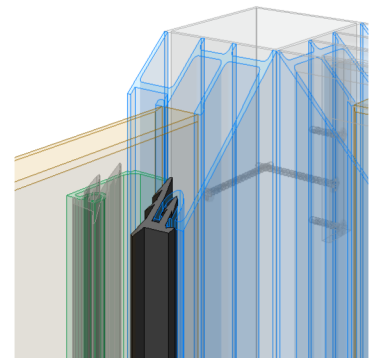
This system can utilize, plastic laminate, wood veneer, Moxie, and Richter panels.




② PWS-701 (G)
Edge Trim



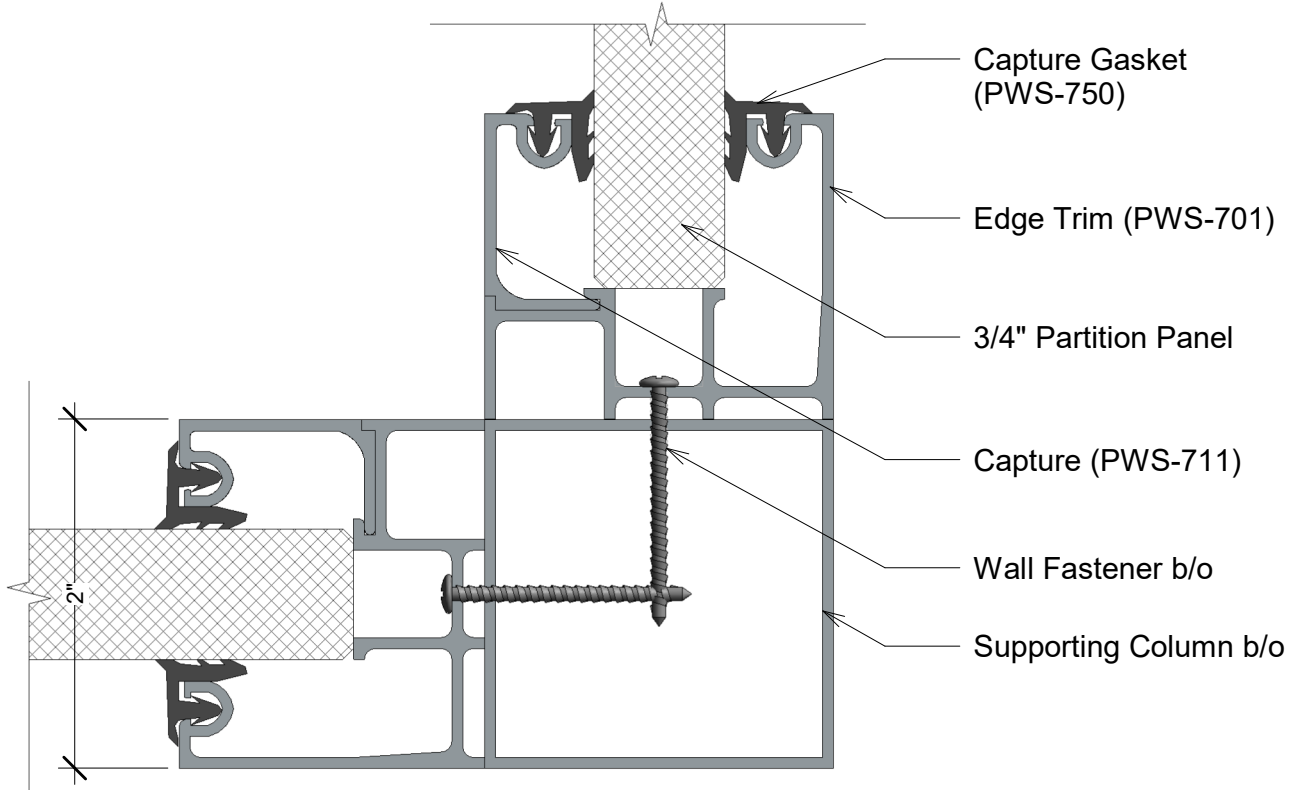
③ PWS-711 (G)
Capture



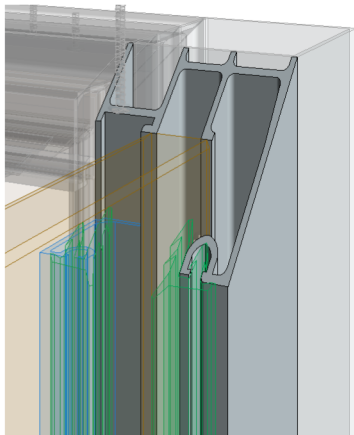
④ PWS-750 (G)
Capture Gasket

Title:		View:		Date:		 WPS Wall Panel Systems, Inc. Tel: 877-333-4WPS support@wpsusa.com Web: www.wpsusa.com © 2013 Wall Panel Systems Inc.
Inside Corner		Plan		03/18/22		
Detail:	System Type:	Scale:	Draw By:			
G	Partition Wall System	Full	WPS, Inc.			

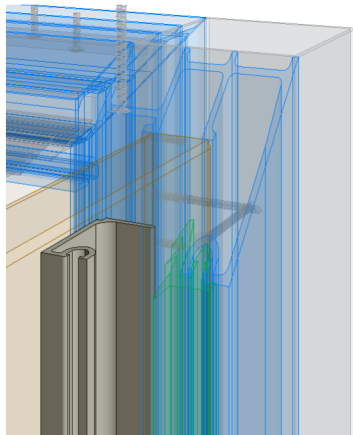
This system can utilize, plastic laminate, wood veneer, Moxie, and Richter panels.



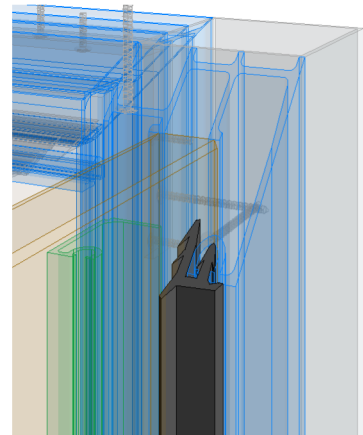
① Plan View - H
12" = 1'-0"




② PWS-701 (H)
Edge Trim

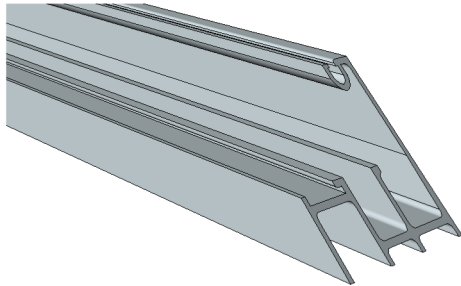


③ PWS-711 (H)
Capture

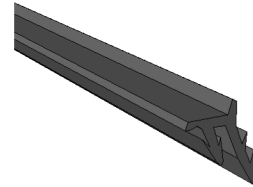


④ PWS-750 (H)
Capture Gasket

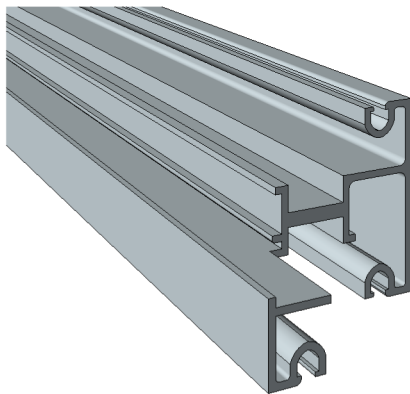
Title:		View:		Date:	 Wall Panel Systems, Inc. Tel: 877-333-4WPS support@wpsusa.com Web: www.wpsusa.com © 2013 Wall Panel Systems Inc.
Outside Corner		Plan		03/18/22	
Detail:	System Type:	Scale:	Draw By:		
H	Partition Wall System	Full	WPS, Inc.		



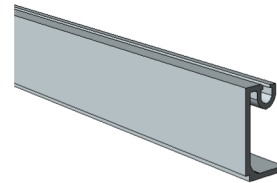
① PWS-701 (U)
Edge Trim




③ PWS-750 (U)
Capture Gasket



② PWS-710 (U)
Mullion Trim



④ PWS-711 (U)
Capture

Title:		View:		Date:		 WPS Wall Panel Systems, Inc. Tel: 877-333-4WPS support@wpsusa.com Web: www.wpsusa.com © 2013 Wall Panel Systems Inc.
Parts List		3D		03/18/22		
Detail:	System Type:	Scale:	Draw By:			
U	Partition Wall System	N/A	WPS, Inc.			