
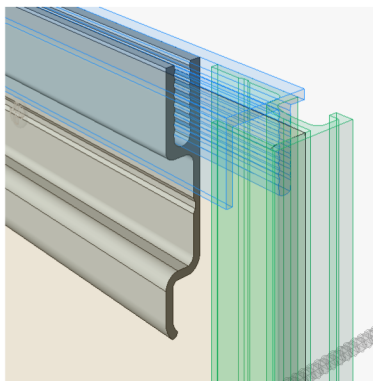
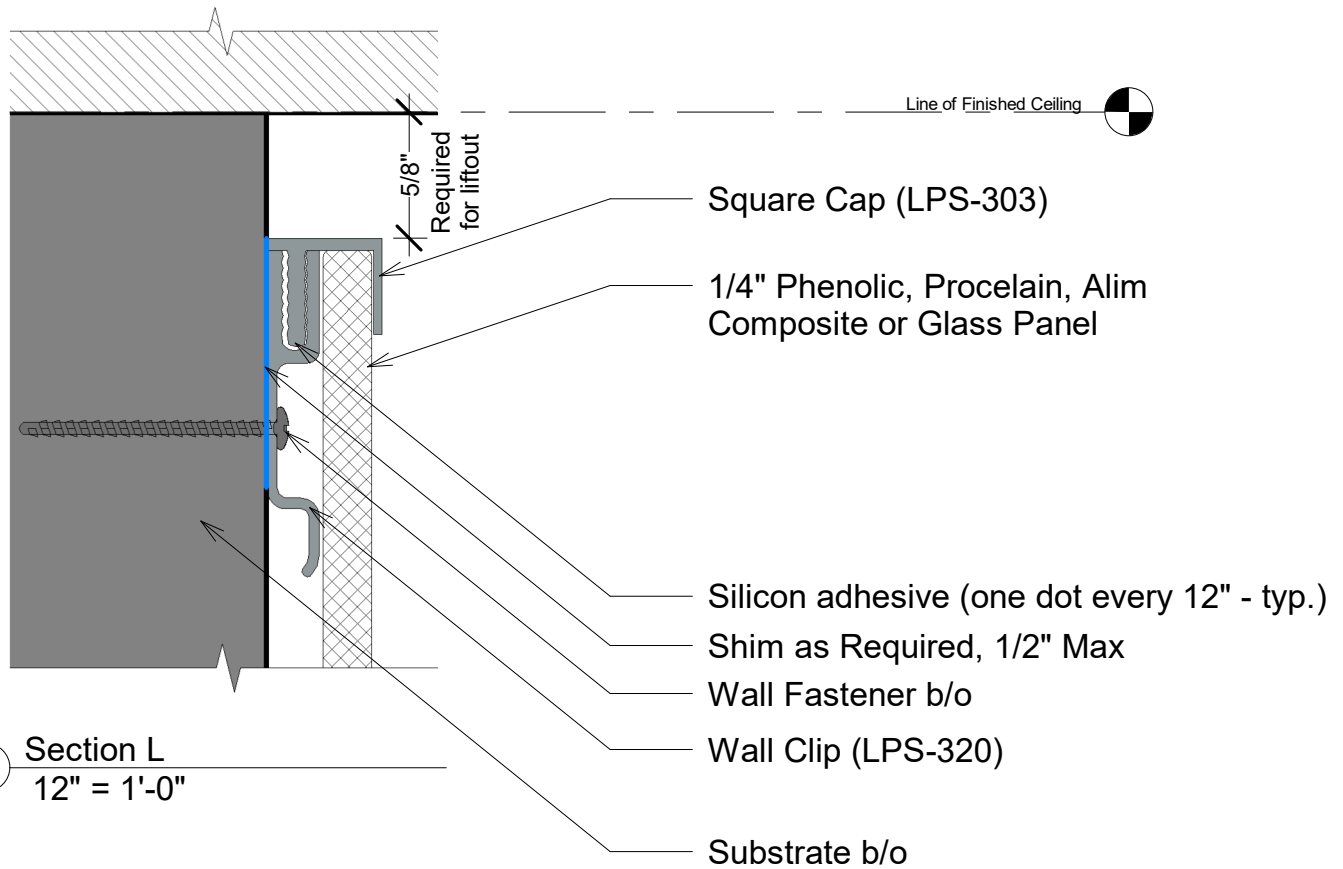
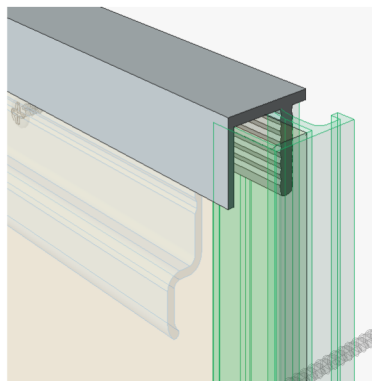


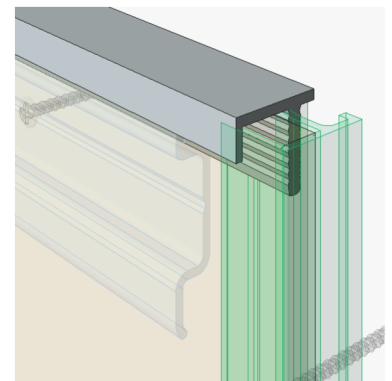
Title:		View:		Date:	
Installation Instruction 3-D Model		3D		03/18/22	
Detail:	System Type:	Scale:	Drawn By:		
0	1/4" Low Profile System	N/A	WPS, Inc.		
 Wall Panel System, Inc. Tel: 877-333-4WPS support@wpsusa.com Web: www.wpsusa.com <small>© 2011 Wall Panel Systems Inc.</small>					




② LPS-320 (A)
Wall Clip

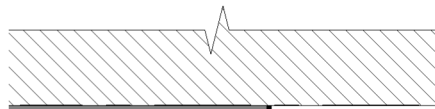


③ LPS-303 (A)
Square Cap

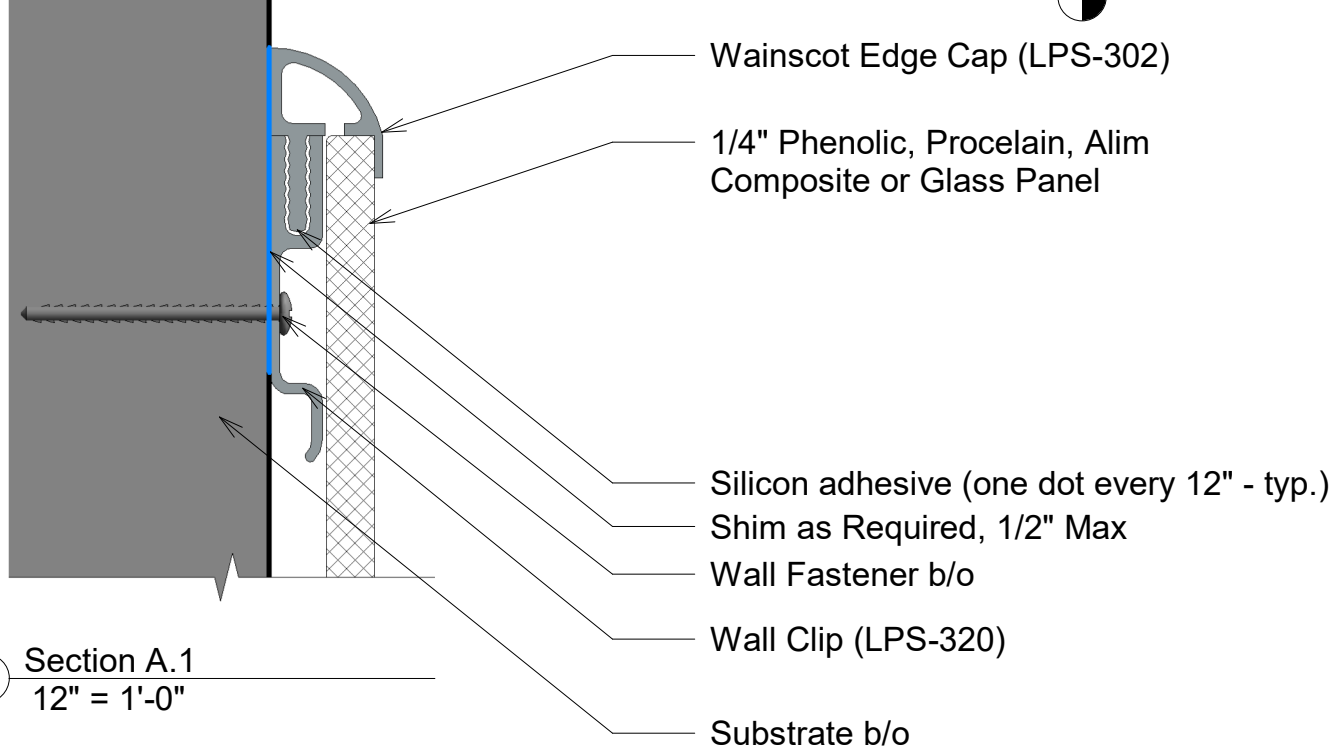


④ LPS-307 (A)
Square Cap Option

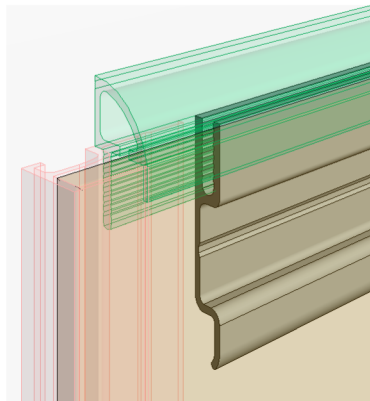
Title: Top Edge - Square Cap		View: Section	Date: 03/18/22	 Wall Panel Systems, Inc. Tel: 877-333-4WPS support@wpsusa.com Web: www.wpsusa.com © 2011 Wall Panel Systems Inc.
Detail: A	System Type: Low Profile System	Scale: Full	Draw By: WPS, Inc.	



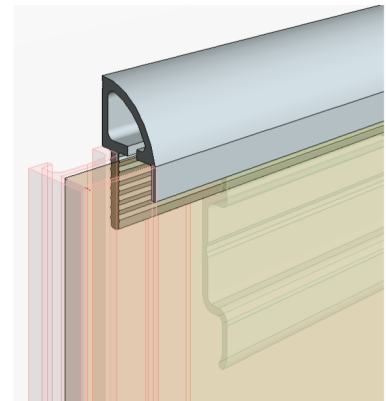
Line of Finished Ceiling 




① Section A.1
12" = 1'-0"

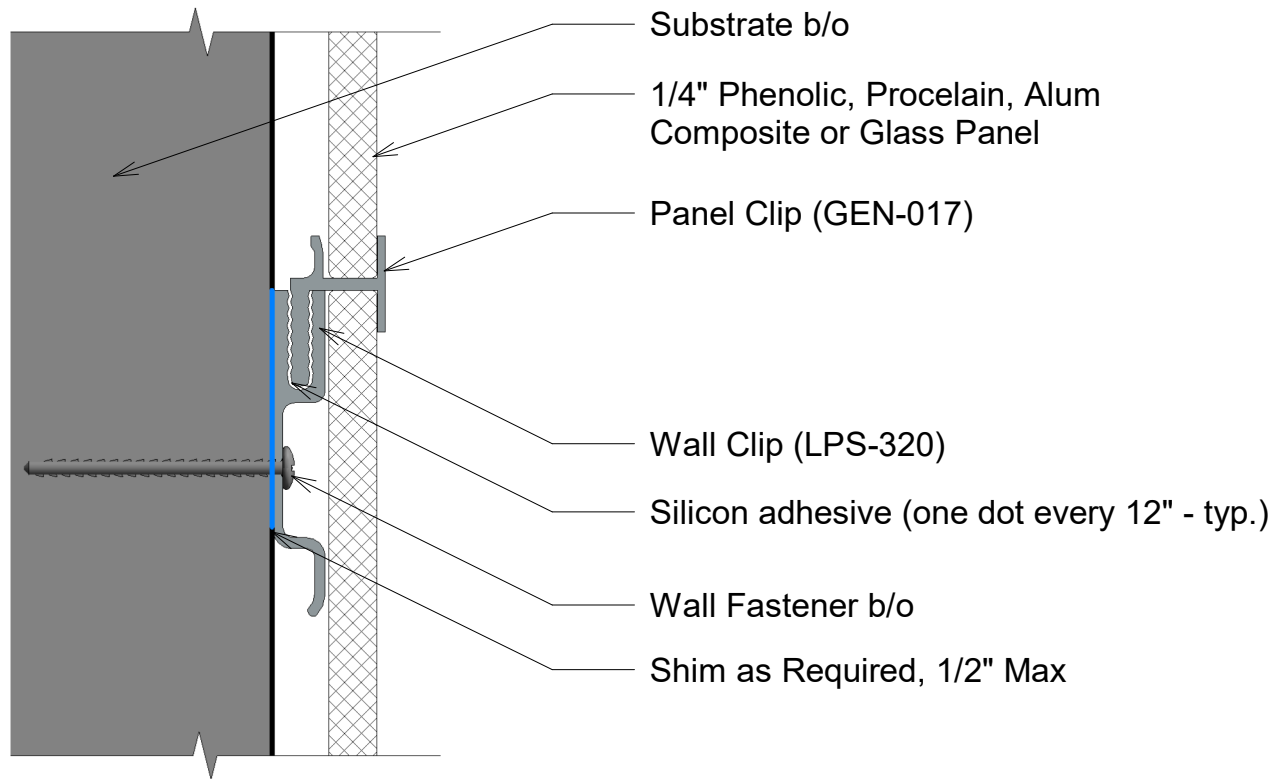


② LPS-320 (A.1)
Wall Clip

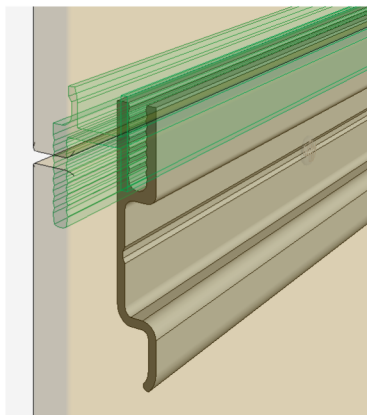


③ LPS-302 (A.1)
Wainscot Cap

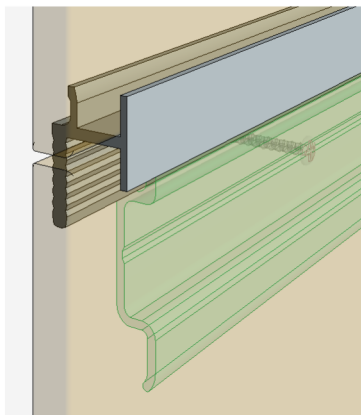
Title: Top Edge - Radius Cap		View: Section	Date: 03/18/22	 Wall Panel Systems, Inc. Tel: 877-333-4WPS support@wpsusa.com Web: www.wpsusa.com © 2011 Wall Panel Systems Inc.
Detail: A.1	System Type: Low Profile System	Scale: Full	Draw By: WPS, Inc.	



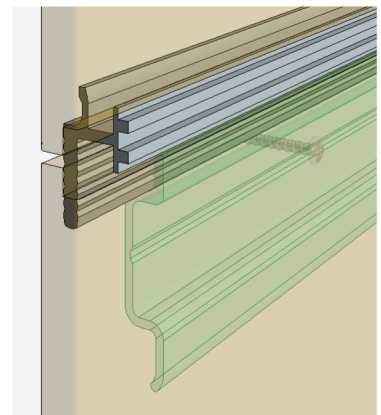
① Section B
12" = 1'-0"




② LPS-320 (B)
Wall Clip

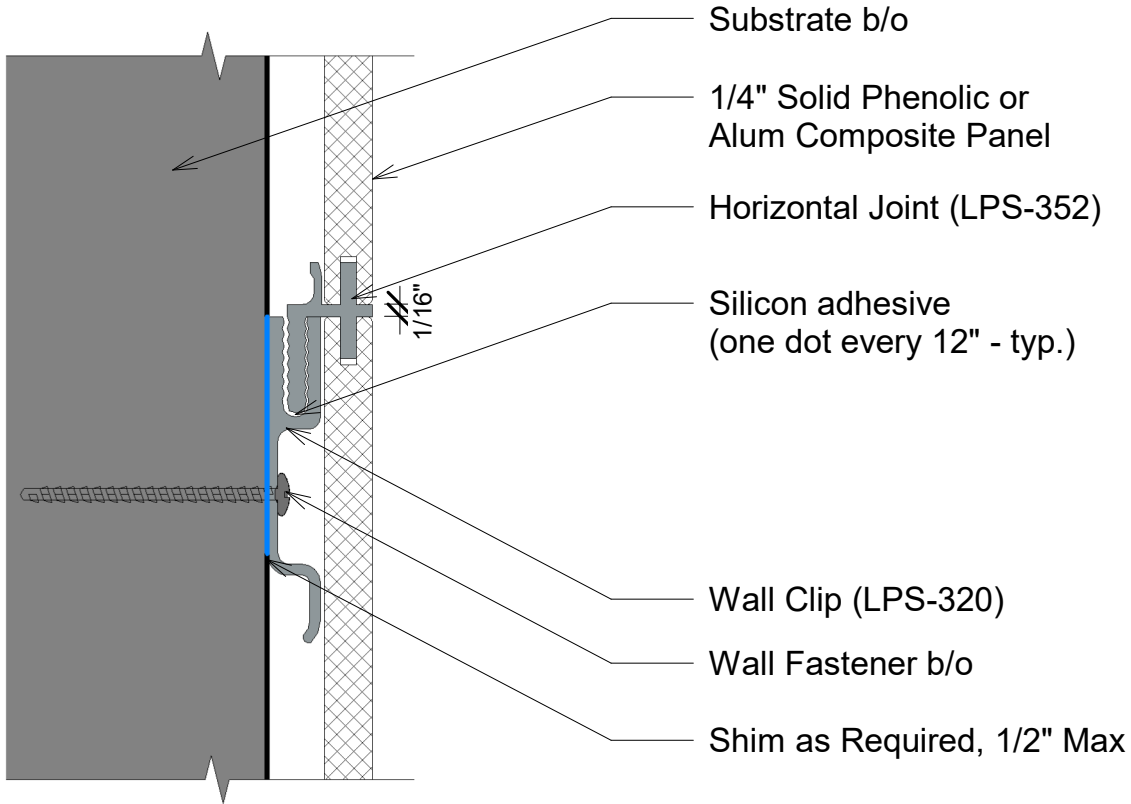


③ LPS-350 (B)
Horizontal Joint - Glass or
Porcelain

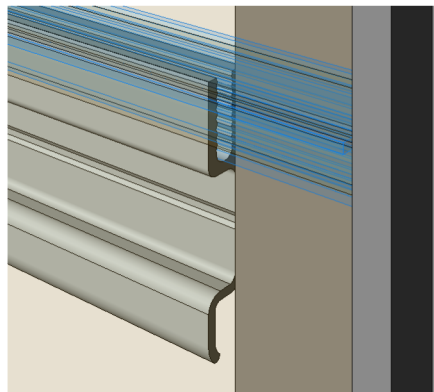


④ LPS-354 (B)
Horizontal Joint Option

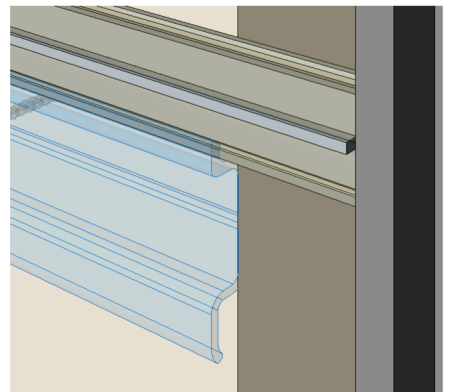
Title: Horizontal Reveal		View: Section	Date: 03/18/22	 Wall Panel Systems, Inc. Tel: 877-333-4WPS support@wpsusa.com Web: www.wpsusa.com © 2011 Wall Panel Systems Inc.
Detail: B	System Type: Low Profile System	Scale: Full	Draw By: WPS, Inc.	




1 Section B.1
12" = 1'-0"

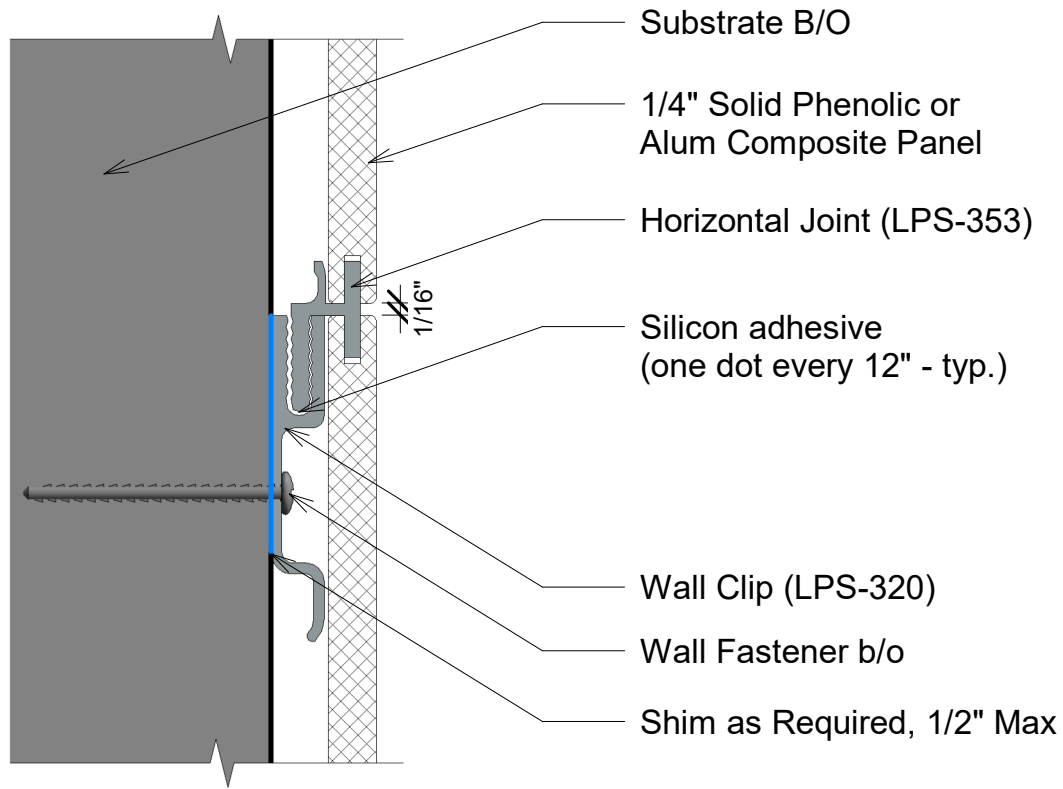


2 LPS-320 (B.1)
Wal Rail

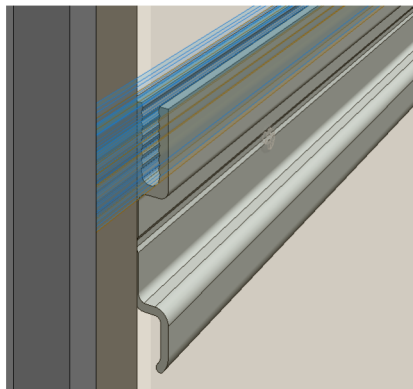


3 LPS-352 (B.1)
Horizontal Joint - Phenolic or Alum Composite

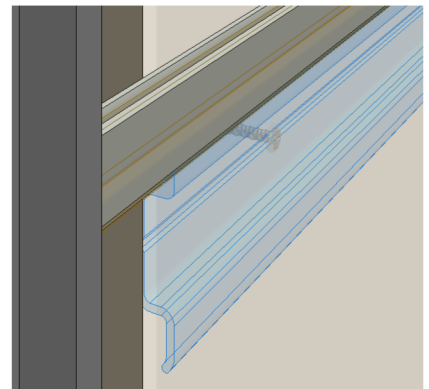
Title: Horizontal Reveal - Phenolic		View: Section	Date: 03/18/22	 Wall Panel Systems, Inc. Tel: 877-333-4WPS support@wpsusa.com Web: www.wpsusa.com © 2011 Wall Panel Systems Inc.
Detail: B.1	System Type: Low Profile System	Scale: Full	Draw By: WPS, Inc.	




① Section B.2
12" = 1'-0"

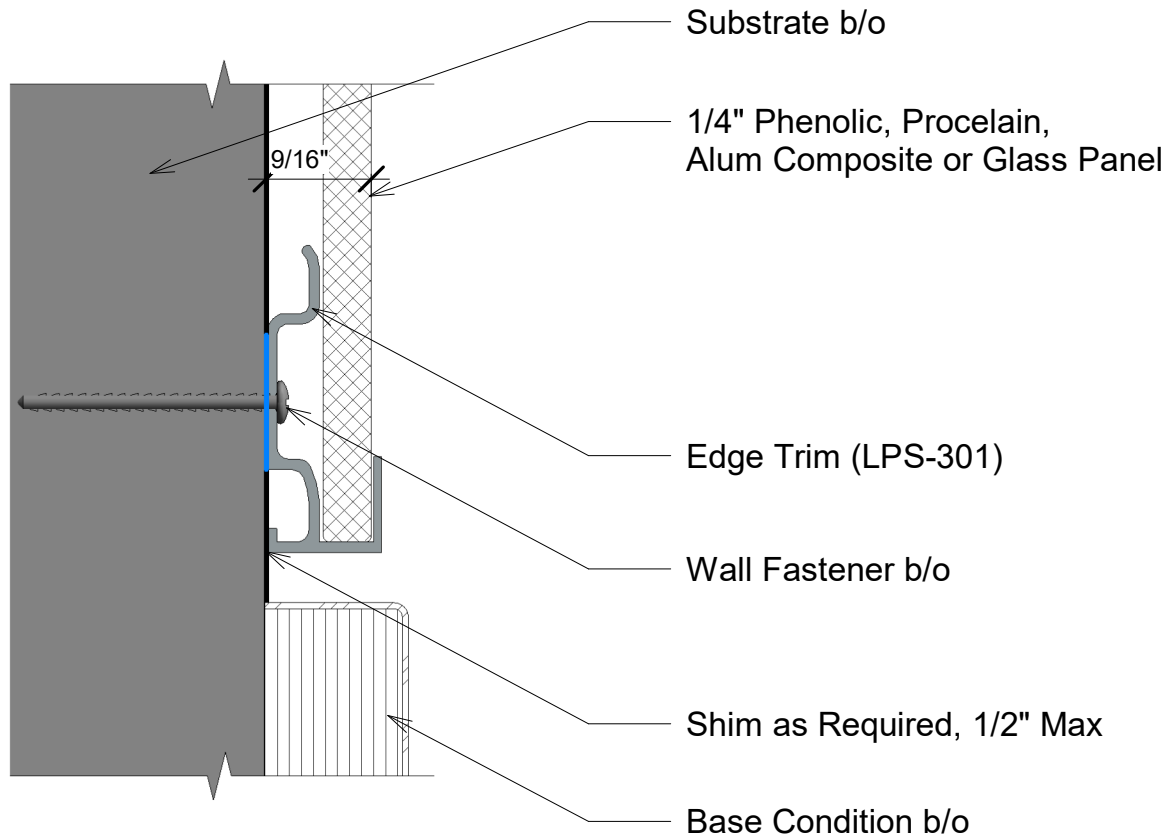


② LPS-320 (B.2)
Wall Clip

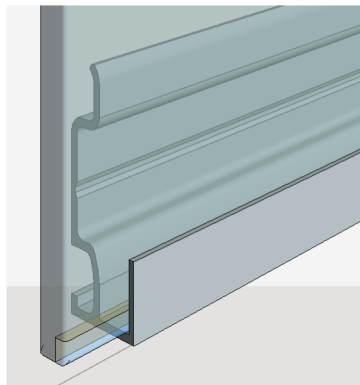


③ LPS-353 (B.2)
Horizontal Joint - Phenolic or Alum Composite

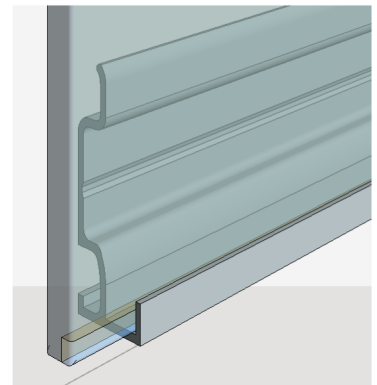
Title: Horizontal Reveal - Phenolic		View: Section	Date: 03/18/22	 Wall Panel Systems, Inc. Tel: 877-333-4WPS support@wpsusa.com Web: www.wpsusa.com © 2011 Wall Panel Systems Inc.
Detail: B.2	System Type: Low Profile System	Scale: Full	Draw By: WPS, Inc.	




1 Section C
12" = 1'-0"

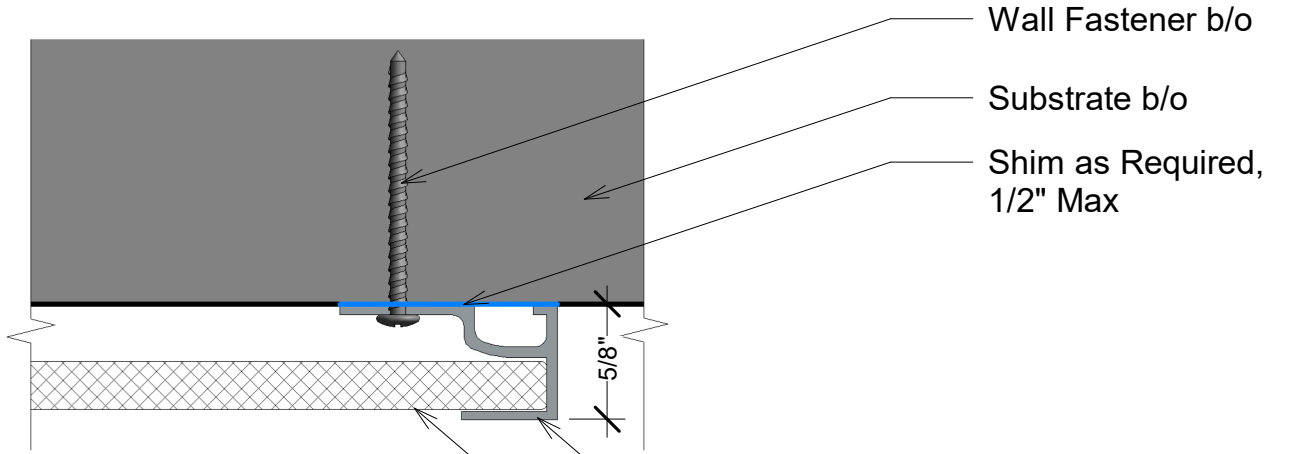


2 LPS-301 (C)
Edge Trim



3 LPS-306 (C)
Edge Trim Option

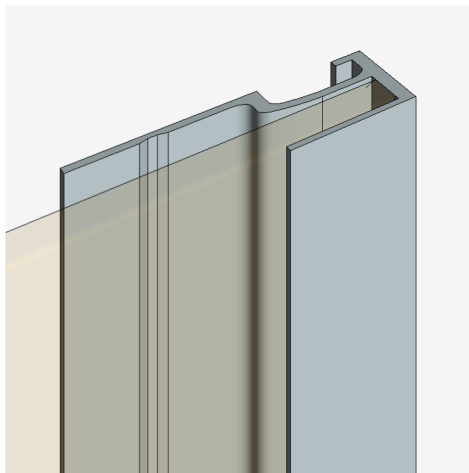
Title: Bottom Edge		View: Section	Date: 03/18/22	 Wall Panel Systems, Inc. Tel: 877-333-4WPS support@wpsusa.com Web: www.wpsusa.com © 2011 Wall Panel Systems Inc.
Detail: C	System Type: Low Profile System	Scale: Full	Draw By: WPS, Inc.	




1 Plan View - D
12" = 1'-0"

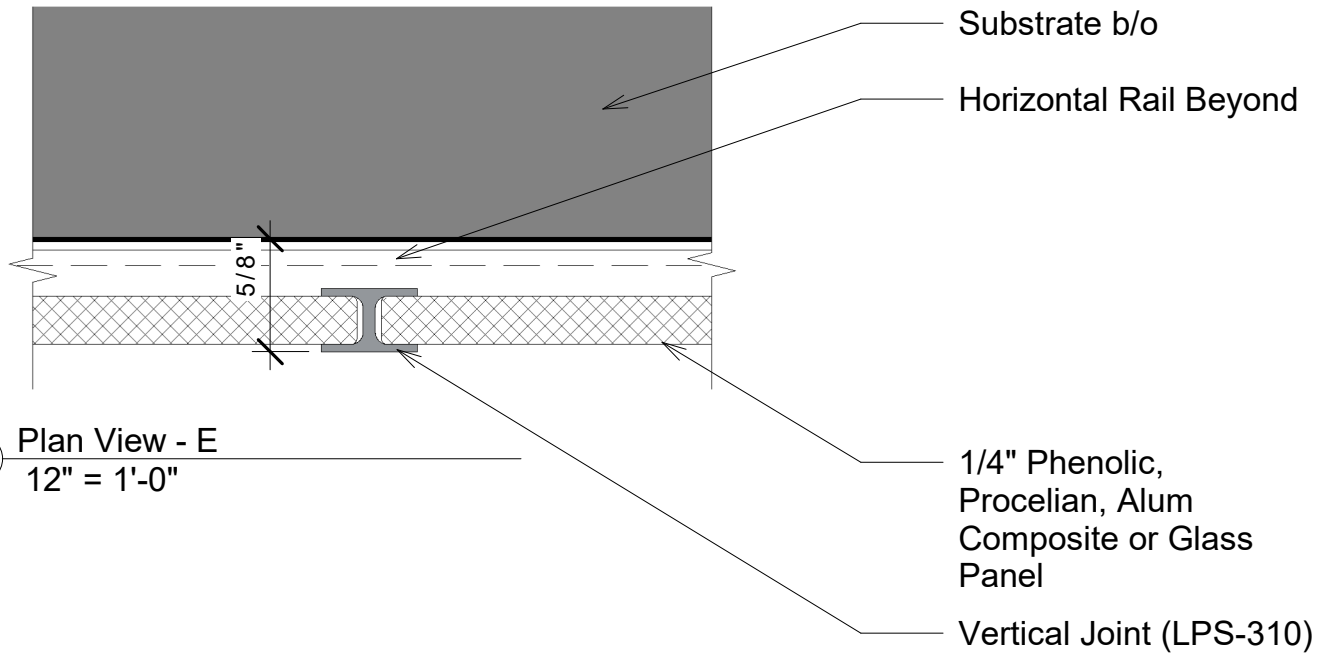
Edge Trim (LPS-305)

1/4" Phenolic, Porcelain,
Alum Composite or
Glass Panel

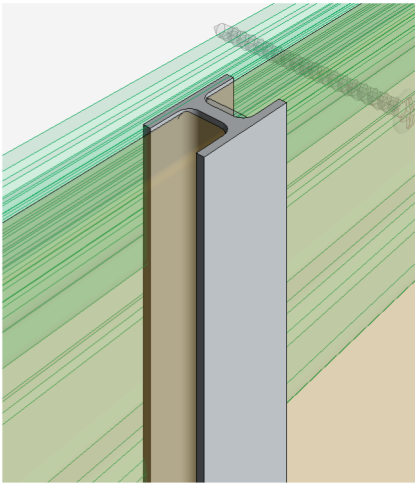


2 LPS-305 (D)
Edge Trim


Title: Vertical Edge		View: Plan	Date: 03/18/22	 Wall Panel Systems, Inc. Tel: 877-333-4WPS support@wpsusa.com Web: www.wpsusa.com © 2011 Wall Panel Systems Inc.
Detail: D	System Type: Low Profile System	Scale: Full	Draw By: WPS, Inc.	

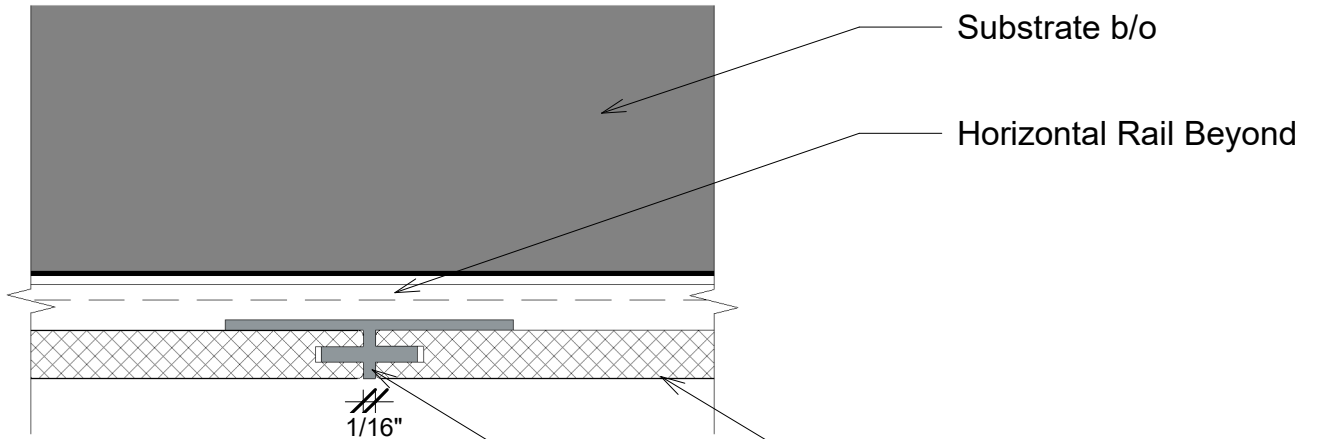


① Plan View - E
12" = 1'-0"



② LPS-310 (D)
Vertical Joint

Title: Vertical Joint		View: Plan	Date: 03/18/22	 Wall Panel Systems, Inc. Tel: 877-333-4WPS support@wpsusa.com Web: www.wpsusa.com © 2011 Wall Panel Systems Inc.
Detail: E	System Type: Low Profile System	Scale: Full	Draw By: WPS, Inc.	



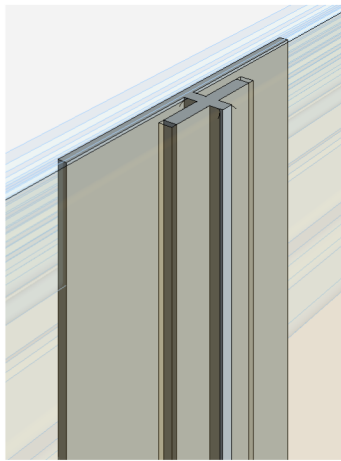
① Plan View - E.1
12" = 1'-0"

Substrate b/o


Horizontal Rail Beyond

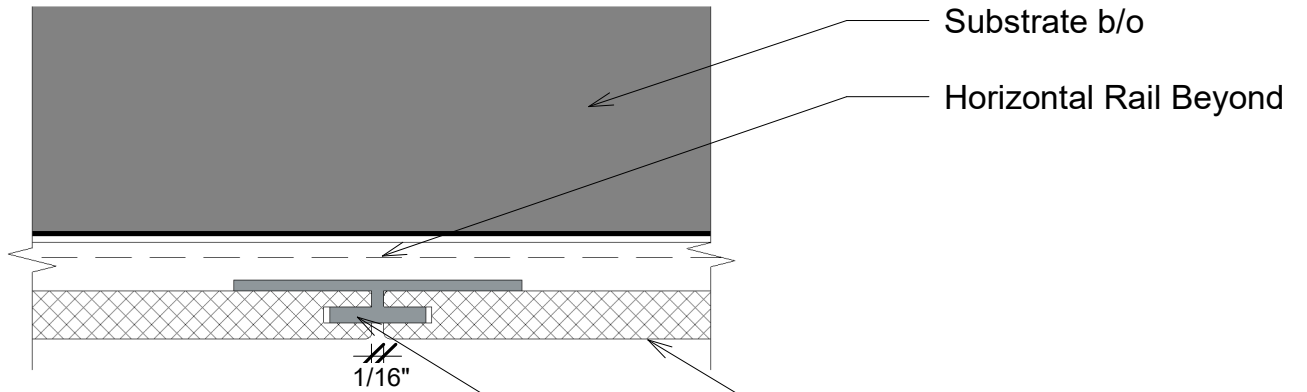
1/4" Phenolic,
Procelian, Alum
Composite or Glass
Panel

Vertical Joint (LPS-312)



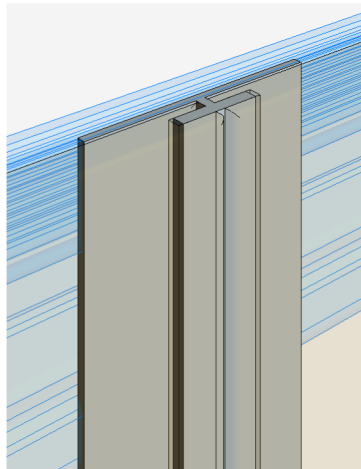
② LPS-312 (E.1)
Vertical Joint - Phenolic or
Alum Composite

Title: Vertical Reveal - Phenolic		View: Plan	Date: 03/18/22	 Wall Panel Systems, Inc. Tel: 877-333-4WPS support@wpsusa.com Web: www.wpsusa.com © 2011 Wall Panel Systems Inc.
Detail: E.1	System Type: Low Profile System	Scale: Full	Draw By: WPS, Inc.	




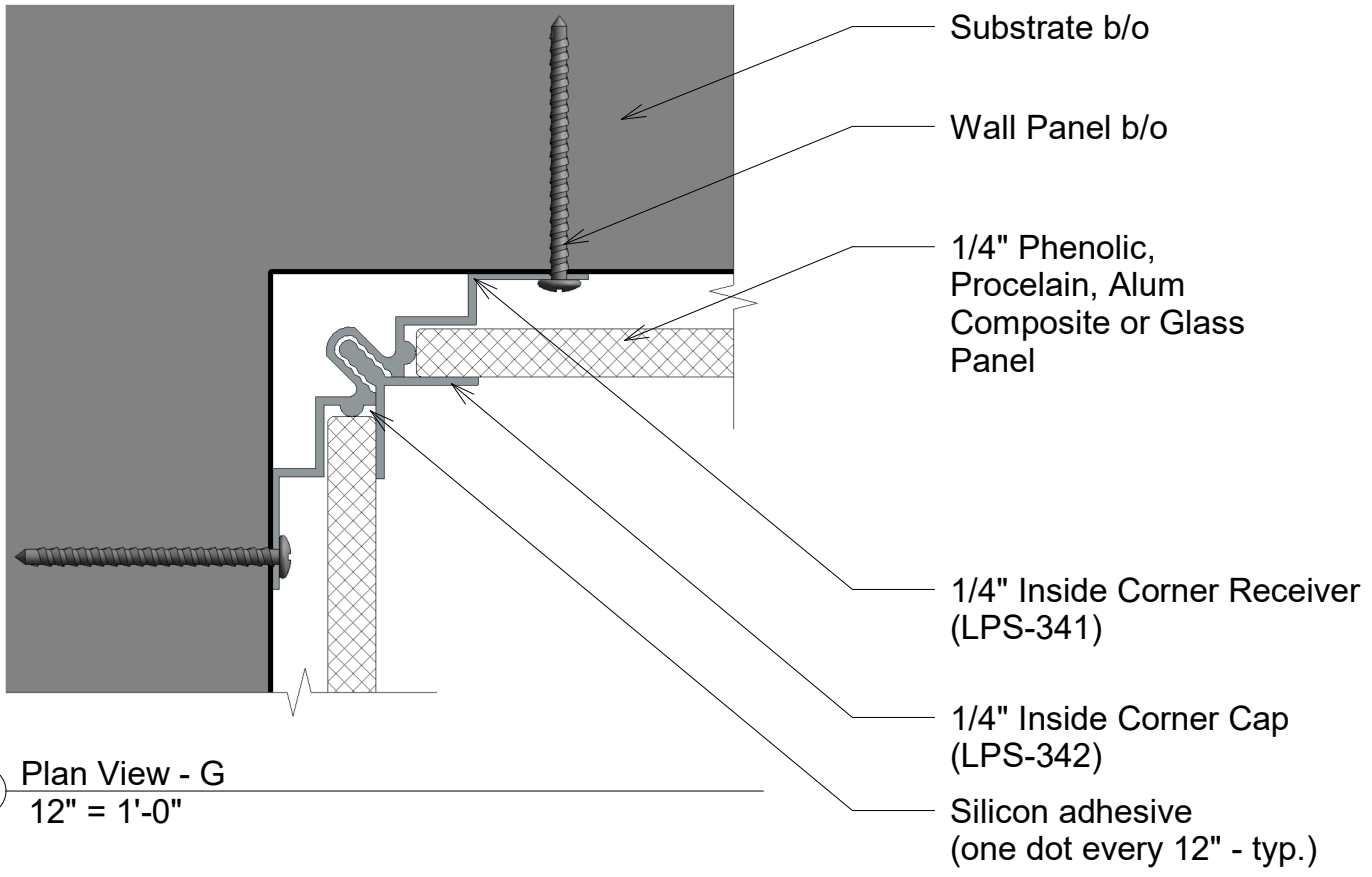
1 Plan View - E.2
12" = 1'-0"

1/4" Phenolic,
Procelian, Alum
Composite or Glass
Panel
Vertical Joint (LPS-313)

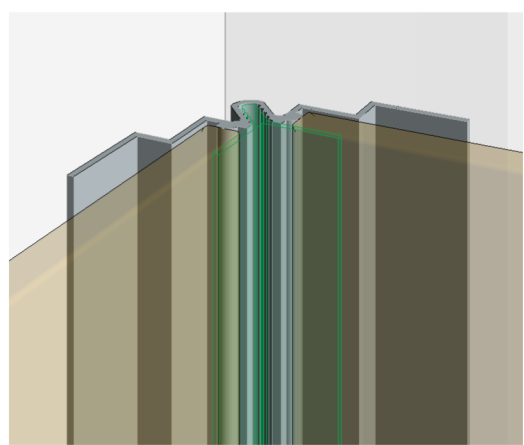


2 LPS-313 (E.2)
Vertical Joint - Phenolic or
Alum Composite

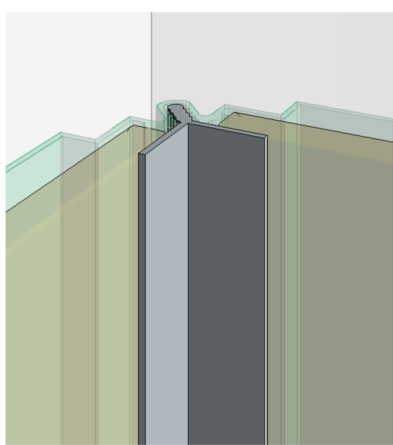
Title: Vertical Reveal - Phenolic		View: Plan	Date: 03/18/22	 Wall Panel Systems, Inc. Tel: 877-333-4WPS support@wpsusa.com Web: www.wpsusa.com © 2011 Wall Panel Systems Inc.
Detail: E.2	System Type: Low Profile System	Scale: Full	Draw By: WPS, Inc.	



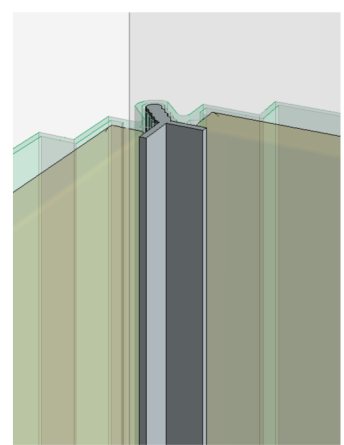
1 Plan View - G
12" = 1'-0"




2 LPS-341 (G)
Inside Corner Receiver

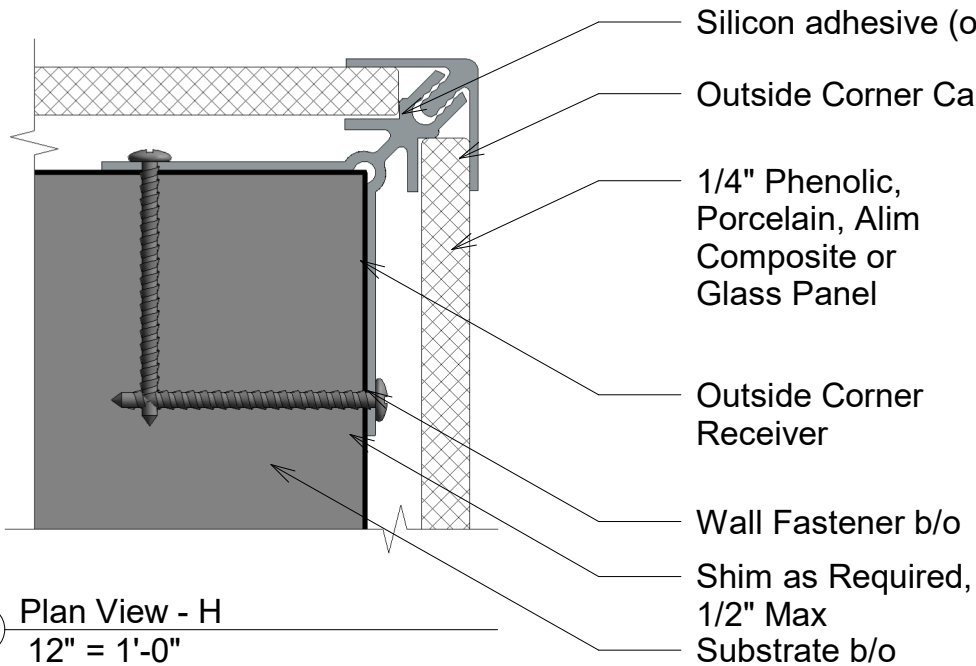


3 LPS-342 (G)
Cap

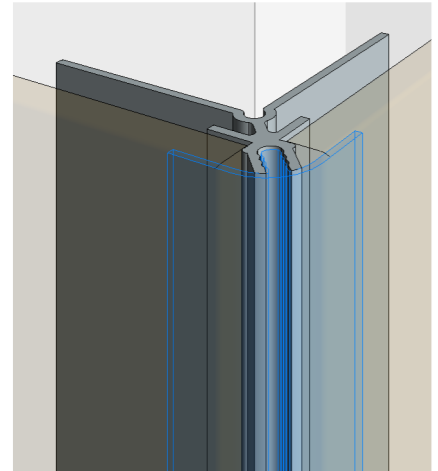


4 LPS-343 (G)
Cap Option

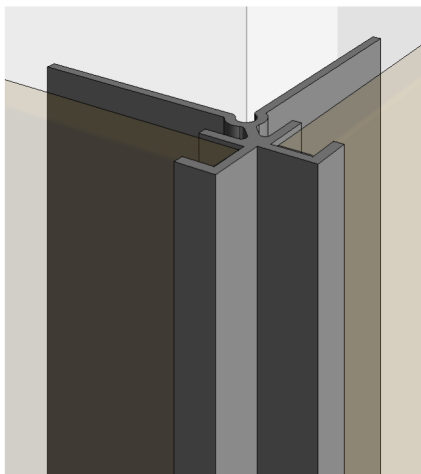
Title: Inside Corner Guard		View: Plan	Date: 03/18/22	 Wall Panel Systems, Inc. Tel: 877-333-4WPS support@wpsusa.com Web: www.wpsusa.com © 2011 Wall Panel Systems Inc.
Detail: G	System Type: Low Profile System	Scale: Full	Draw By: WPS, Inc.	



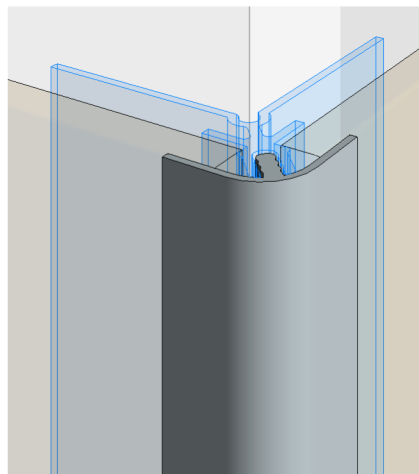
① Plan View - H
12" = 1'-0"



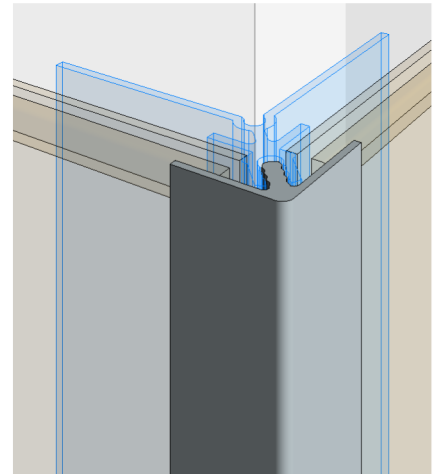
② LPS-333 (H)
Outside Corner Receiver



③ LPS-336 (H)
Outside Corner Option

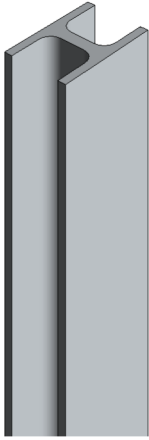


④ LPS-335 (H)
Cap A

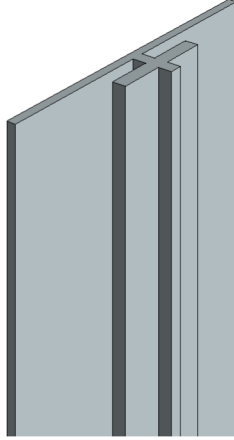


⑤ LPS-334 (H)
Cap B

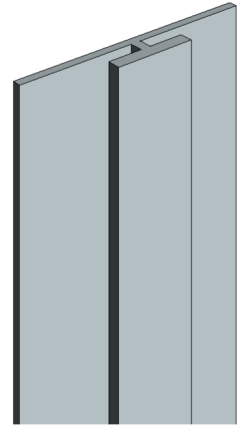
Title: Outside Corner Alternative		View: Plan	Date: 03/18/22	 WPS Wall Panel Systems, Inc. Tel: 877-333-4WPS support@wpsusa.com Web: www.wpsusa.com © 2011 Wall Panel Systems Inc.
Detail: H	System Type: Low Profile System	Scale: Full	Draw By: WPS, Inc.	



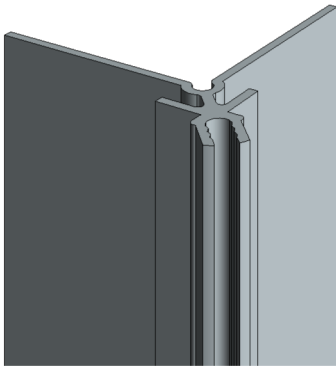
① LPS-310 (U)
Vertical Joint



② LPS-312 (U)
Vertical Joint - Phenolic
or Alum Composite



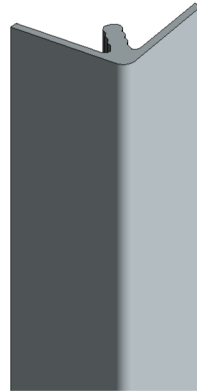
③ LPS-313 (U)
Vertical Joint - Phenolic
or Alum Composite



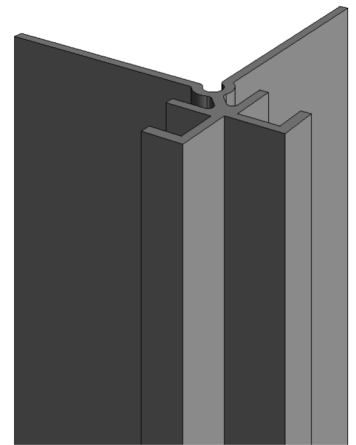
④ LPS-333 (U)
Outside Corner Receiver



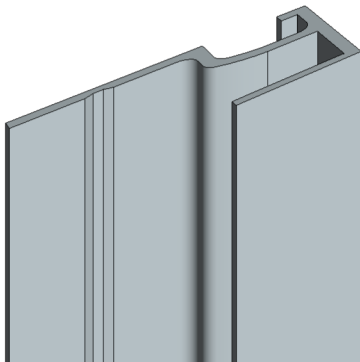
⑤ LPS-335 (U)
Cap A



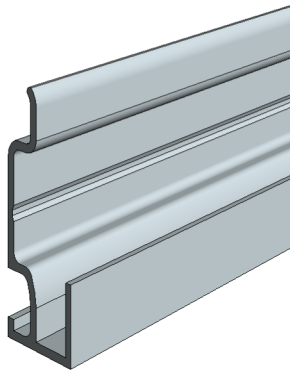
⑥ LPS-334 (U)
Cap B



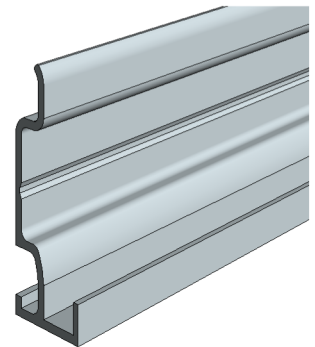
⑦ LPS-336 (U)
Outside Corner Option




⑧ LPS-305 (U)
Edge Trim

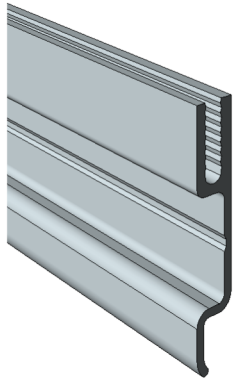


⑨ LPS-301 (U)
Edge Trim

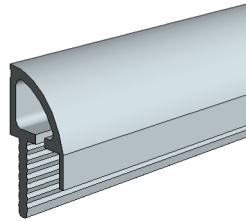


⑩ LPS-306 (U)
Edge Trim Option

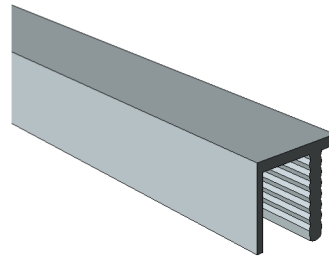
Title: Parts List		View: 3D	Date: 03/18/22	 Wall Panel Systems, Inc. Tel: 877-333-4WPS support@wpsusa.com Web: www.wpsusa.com © 2011 Wall Panel Systems Inc.
Detail: U-1	System Type: Low Profile System	Scale: N/A	Draw By: WPS, Inc.	



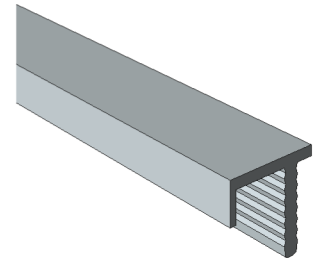
① LPS-320 (U)
Wall Clip



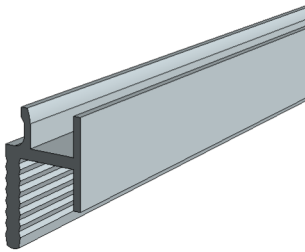
② LPS-302 (U)
Wainscot Cap



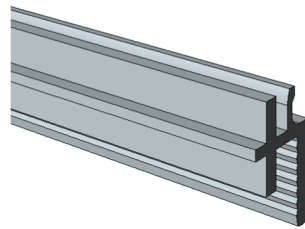
③ LPS-303 (U)
Square Cap



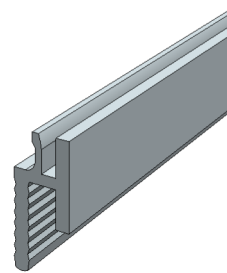
④ LPS-307 (U)
Square Cap Option



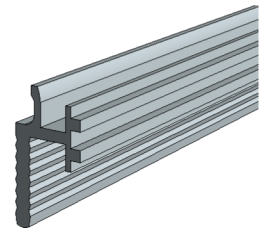
⑤ LPS-350 (U)
Horizontal Joint -
Glass or Porcelain



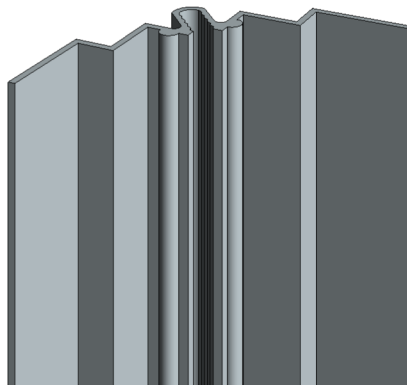
⑥ LPS-352 (U)
Horizontal Joint -
Phenolic or Alum
Composite



⑦ LPS-353 (U)
Horizontal Joint -
Phenolic or Alum
Composite



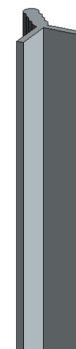
⑧ LPS-354 (U)
Horizontal Joint
Option




⑨ LPS-341 (U)
Inside Corner Receiver



⑩ LPS-342 (U)
Cap



⑪ LPS-343 (U)
Cap Option

Title: Part List		View: 3D	Date: 03/18/22	 Wall Panel Systems, Inc. Tel: 877-333-4WPS support@wpsusa.com Web: www.wpsusa.com © 2011 Wall Panel Systems Inc.
Detail: U-2	System Type: Low Profile System	Scale: N/A	Draw By: WPS, Inc.	