
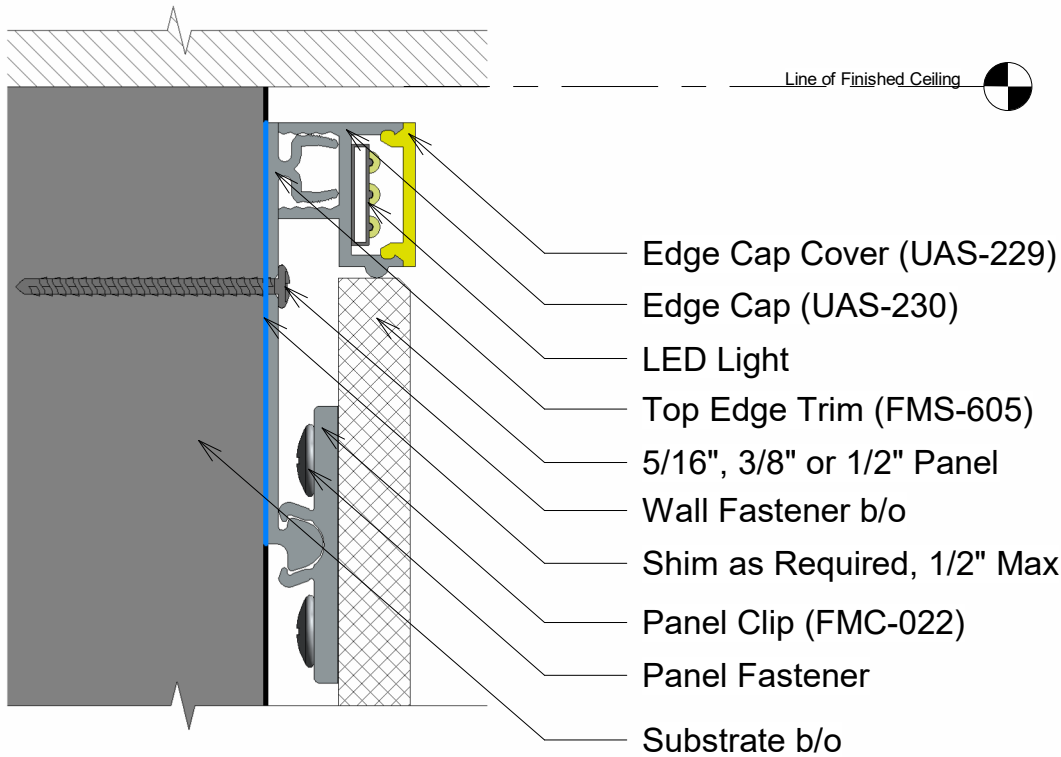
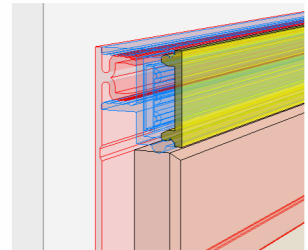


Title:		View:		Date:	
Installation Instruction 3-D Model		3D		03/22/24	
Detail:	System Type:	Scale:	Drawn By:		
0	3/8" LED Light Reveal System (Hybrid)	N/A	WPS, Inc.		
			 Wall Panel System, Inc. Tel: 877-333-4WPS support@wpsusa.com Web: www.wpsusa.com © 2007 Wall Panel Systems Inc.		

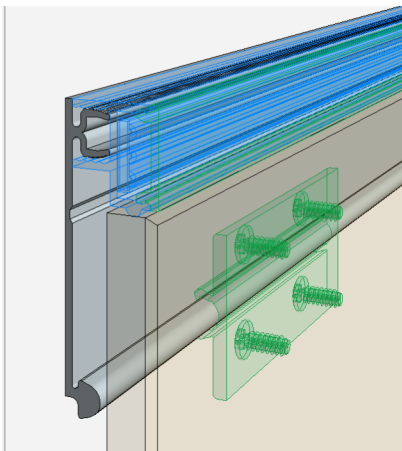
UAS can be utilized with, Phenolic,
Glass and Fiberglass Panels.



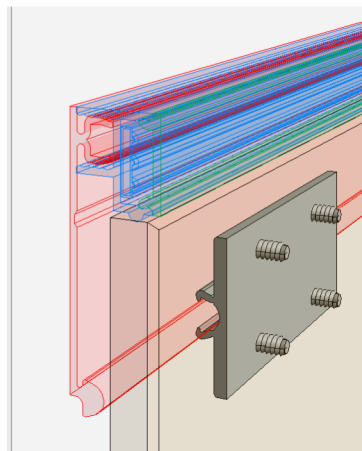
1 Section A
12" = 1'-0"



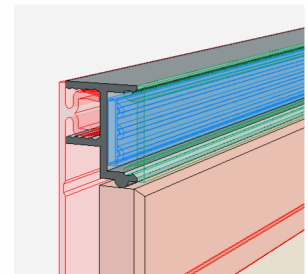
4 UAS-229 (A)
Edge Cap Cover




2 UAS-202 (A)
Top Edge Trim



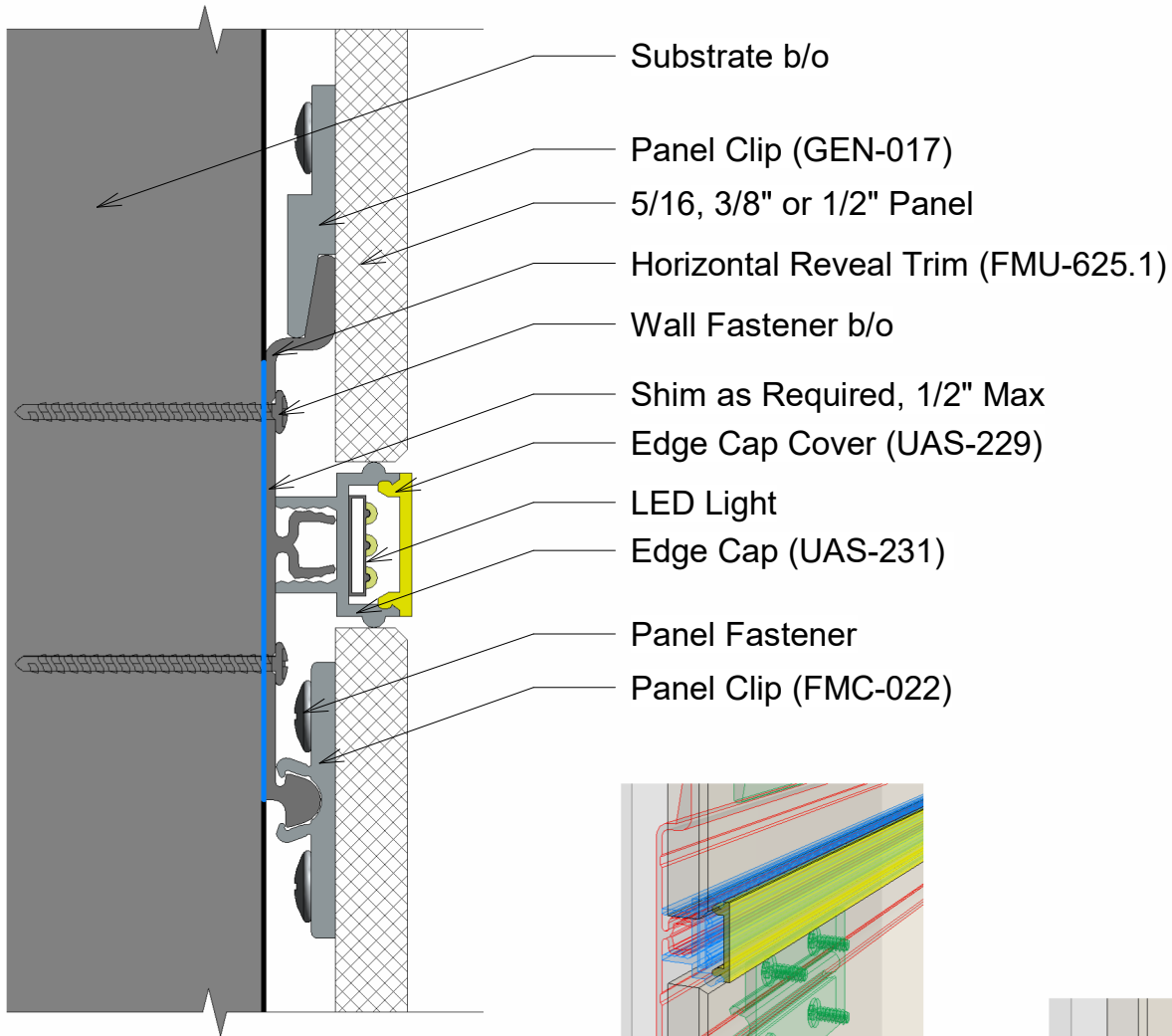
3 FMC-022 (A)
Panel Clip



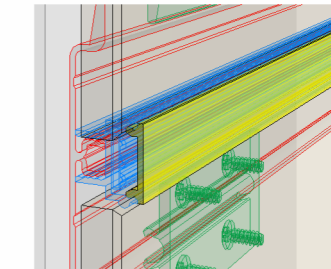
5 UAS-230 (A)
Edge Cap

Title: Top Edge / Head Termination		View: Section	Date: 03/22/24	 Wall Panel Systems, Inc. Tel: 877-333-4WPS support@wpsusa.com Web: www.wpsusa.com © 2012 Wall Panel Systems Inc.
Detail: A	System Type: 3/8" LED Universal Archit Sys. Hyb	Scale: Full	Draw By: WPS, Inc.	

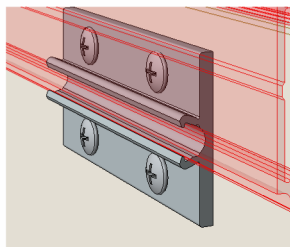
UAS can be utilized with, Phenolic, Glass and Fiberglass Panels.



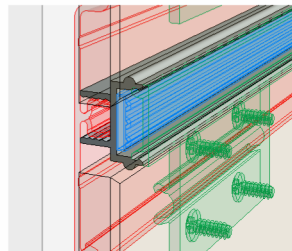
1 Section B
12" = 1'-0"



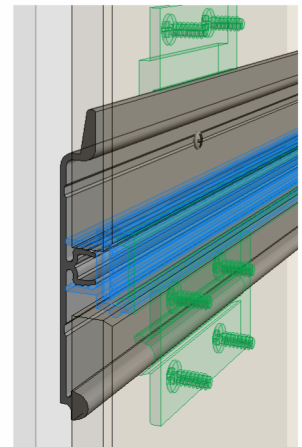
3 UAS-229 (B)
Edge Cap




2 FMC-022 (B)
Panel Clip



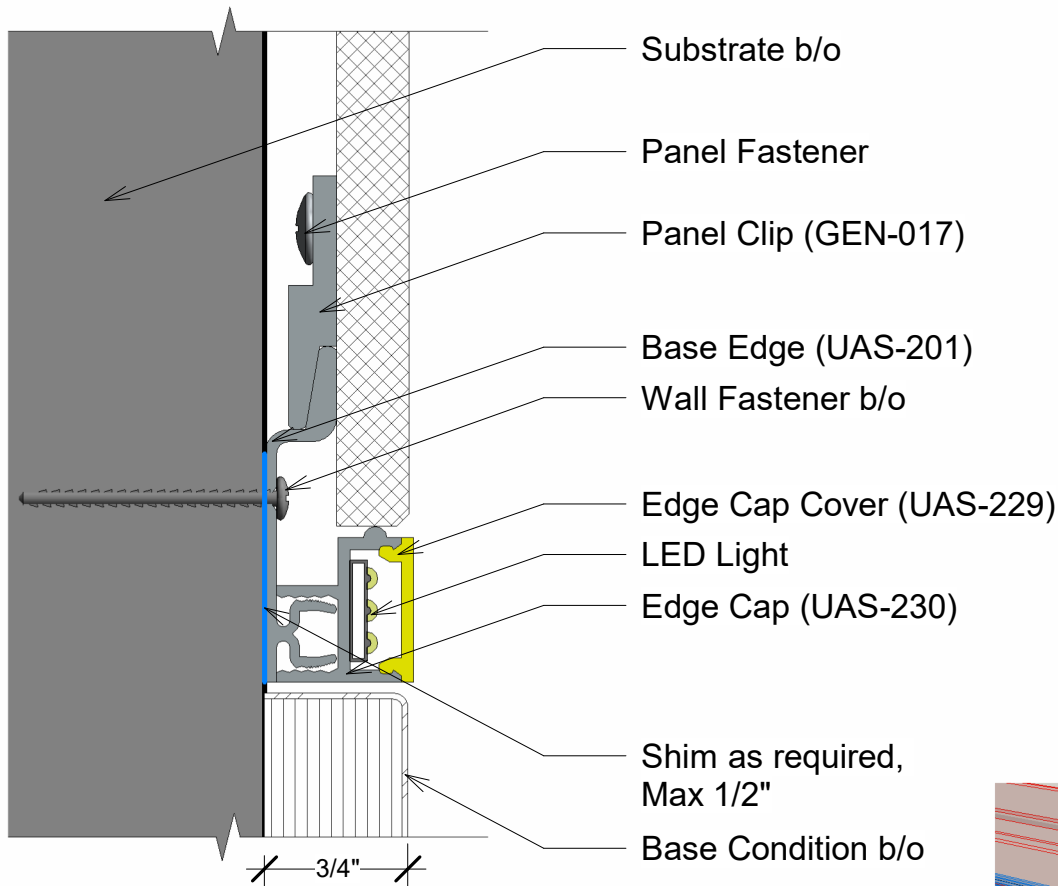
4 UAS-231 (B)
Option Edge Cap



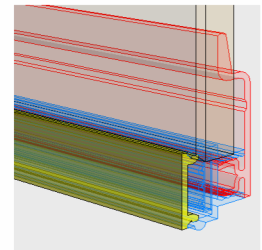
5 FMU-625.1 (B)
Horizontal Reveal Trim

Title:		View:	Date:	 Wall Panel Systems, Inc. Tel: 877-333-4WPS support@wpsusa.com Web: www.wpsusa.com © 2012 Wall Panel Systems Inc.
<h1>Horizontal Reveal</h1>		Section	03/22/24	
Detail:	System Type:	Scale:	Draw By:	
B	3/8" LED Universal Archit Sys. Hyb	Full	WPS, Inc.	

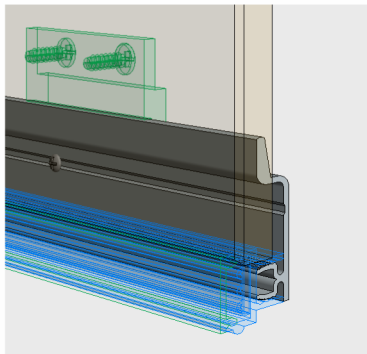
UAS can be utilized with, Phenolic, Glass and Fiberglass Panels.



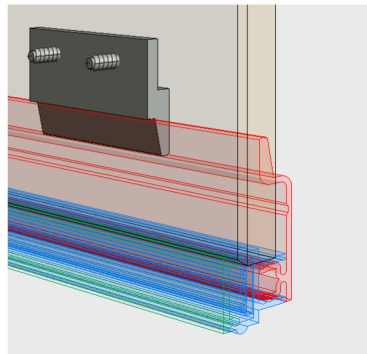
1 Section C
12" = 1'-0"



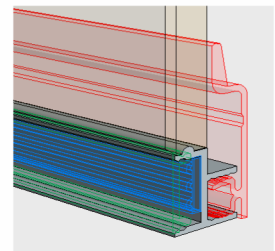
4 UAS-229 (C)
Edge Cap Cover




2 UAS-201 (C)
Base Edge

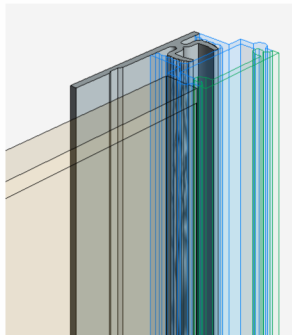
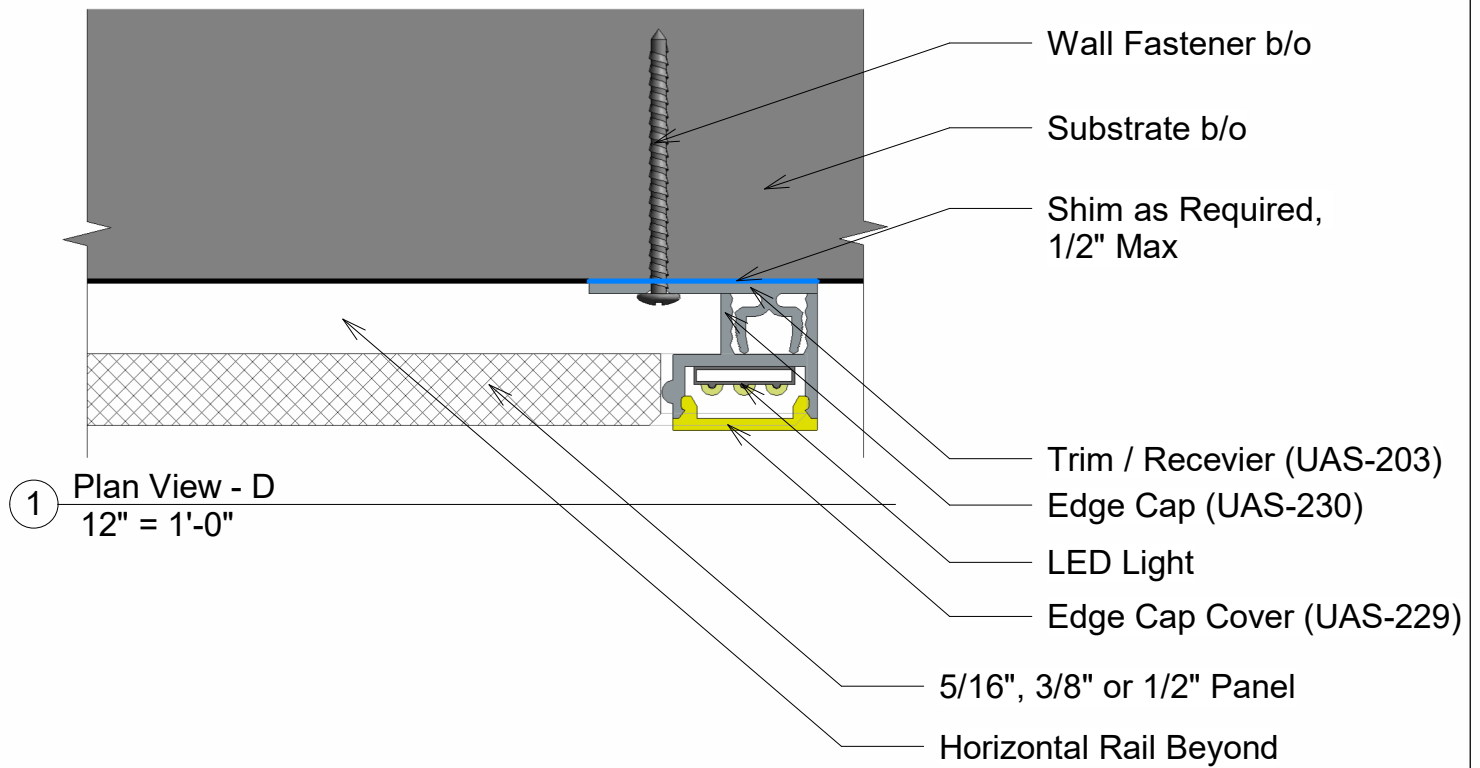


3 GEN-017 (C)
Panel Clip

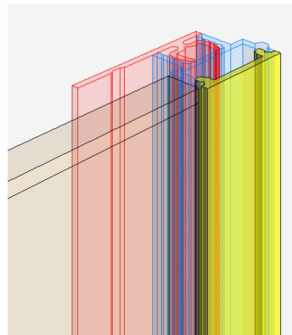


5 UAS-230 (C)
Edge Cap

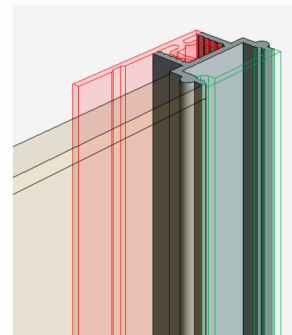
Title: Base Edge / Panel Termination		View: Section	Date: 03/22/24	 Wall Panel Systems, Inc. Tel: 877-333-4WPS support@wpsusa.com Web: www.wpsusa.com © 2012 Wall Panel Systems Inc.
Detail: C	System Type: 3/8" LED Universal Archit Sys. Hyb	Scale: Full	Draw By: WPS, Inc.	




2 UAS-203 (D)
Trim / Receiver

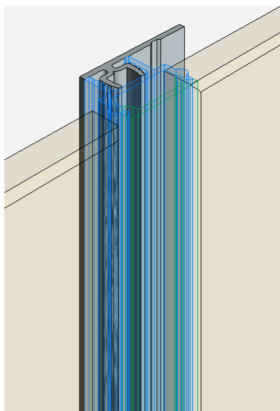
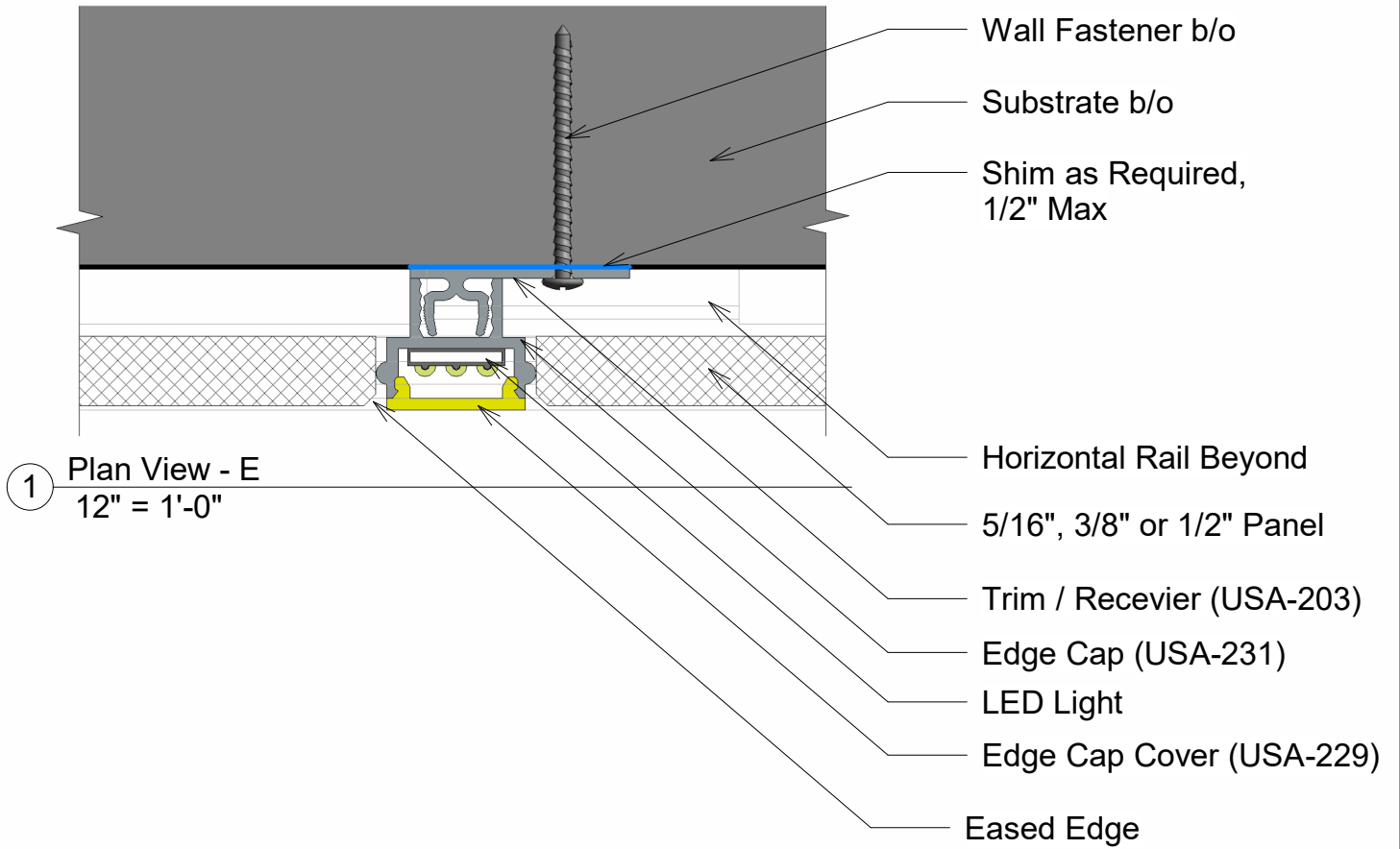


3 UAS-229 (D)
Edge Cap

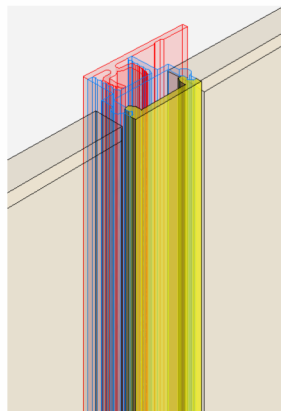


4 UAS-230 (D)
Option Edge Cap

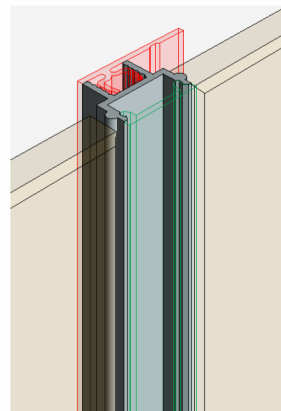
Title: Vertical Edge		View: Plan	Date: 03/22/24	 Wall Panel Systems, Inc. Tel: 877-333-4WPS support@wpsusa.com Web: www.wpsusa.com © 2012 Wall Panel Systems Inc.
Detail: D	System Type: 3/8" LED Universal Archit Sys. Hyb	Scale: Full	Draw By: WPS, Inc.	




2 UAS-203 (E)
Trim / Receiver

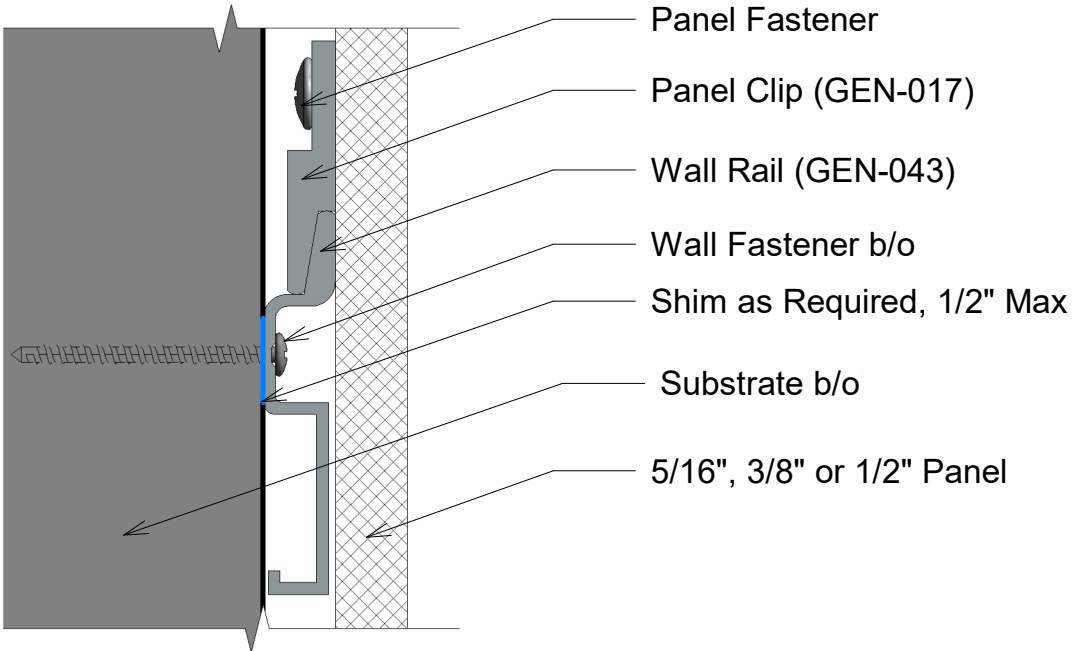


3 UAS-229 (E)
Edge Cap Cover

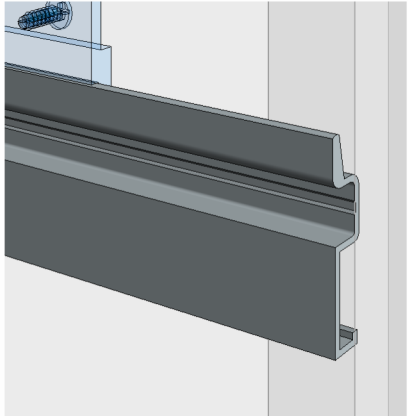


4 UAS-231 (E)
Edge Cap

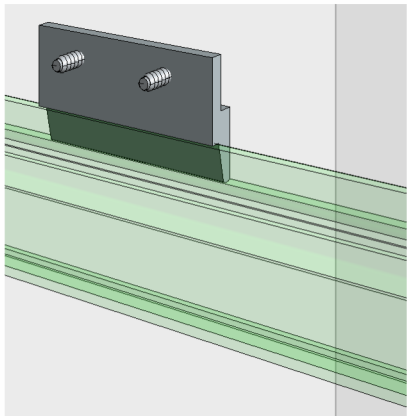
Title:		View:	Date:	 Wall Panel Systems, Inc. Tel: 877-333-4WPS support@wpsusa.com Web: www.wpsusa.com © 2012 Wall Panel Systems Inc.
Vertical Joint Trim		Plan	03/22/24	
Detail:	System Type:	Scale:	Draw By:	
E	3/8" LED Universal Archit Sys. Hyb	Full	WPS, Inc.	




1 Section F
12" = 1'-0"

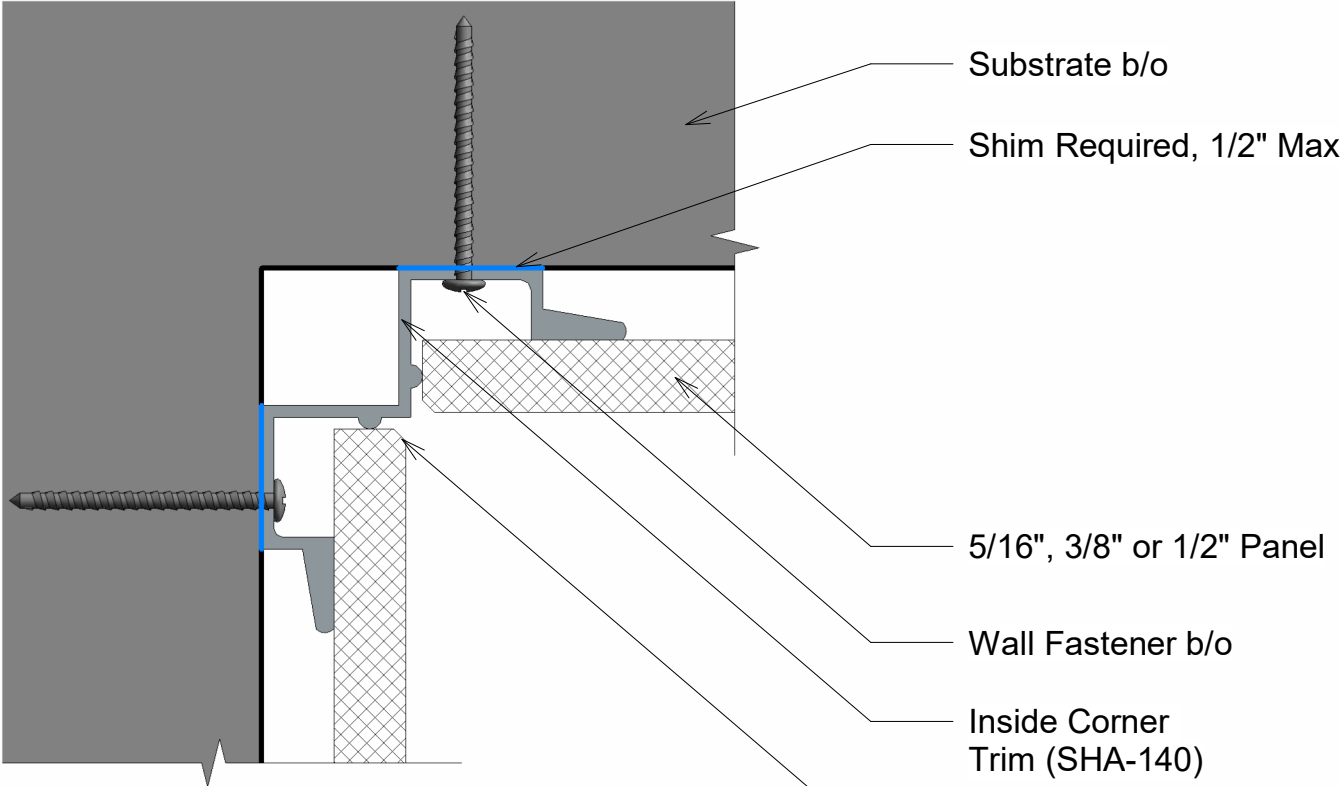


2 GEN-043 (F)
Wal Rail

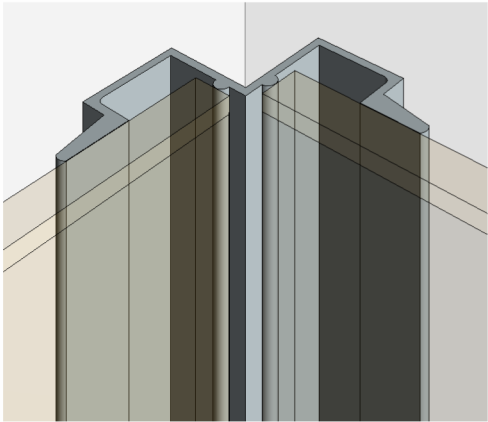


3 GEN-017 (F)
Panel Clip


Title:		View:	Date:	 Wall Panel Systems, Inc. Tel: 877-333-4WPS support@wpsusa.com Web: www.wpsusa.com © 2012 Wall Panel Systems Inc.
Mid-Wall Rail / Clip		Section	03/22/24	
Detail:	System Type:	Scale:	Draw By:	
F	3/8" LED Universal Archit Sys. Hyb	Full	WPS, Inc.	

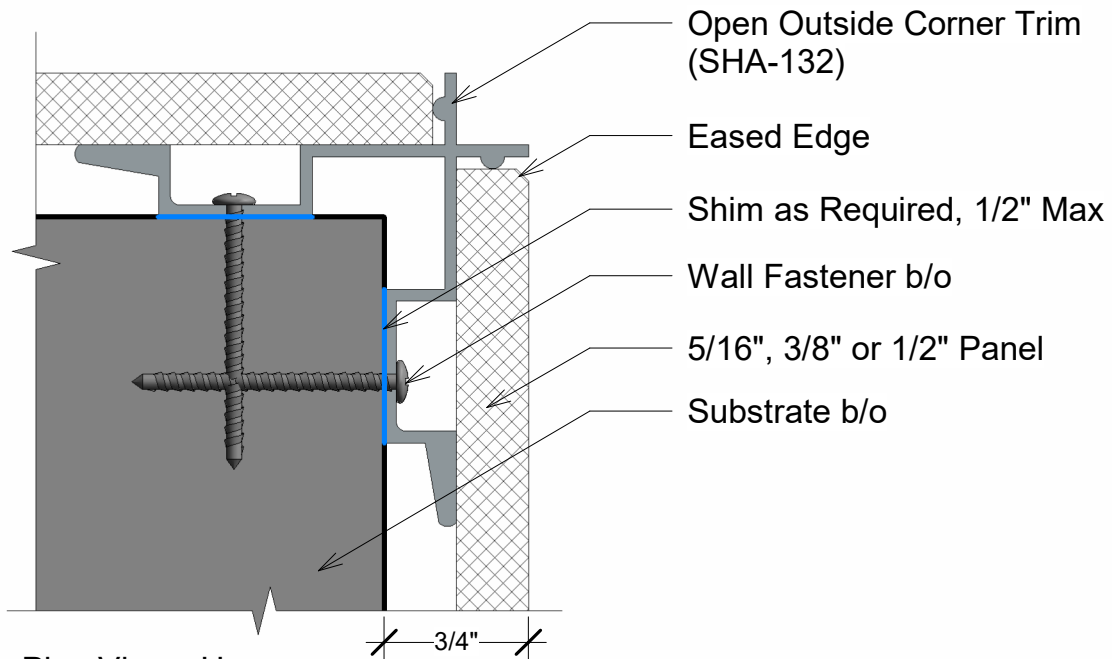


① Plan View - G
12" = 1'-0"

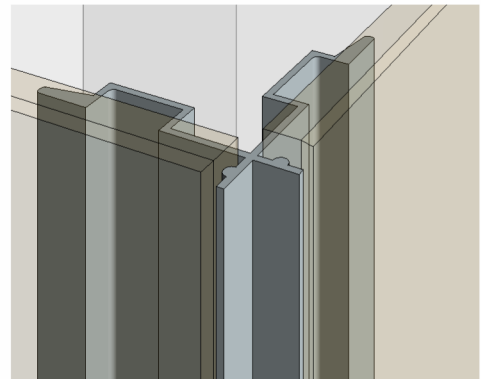


② SHA-140 (G)
Inside Corner Trim


Title: Inside Corner		View: Plan	Date: 03/22/24	 Wall Panel Systems, Inc. Tel: 877-333-4WPS support@wpsusa.com Web: www.wpsusa.com © 2012 Wall Panel Systems Inc.
Detail: G	System Type: 3/8" LED Universal Archit Sys. Hyb	Scale: Full	Draw By: WPS, Inc.	

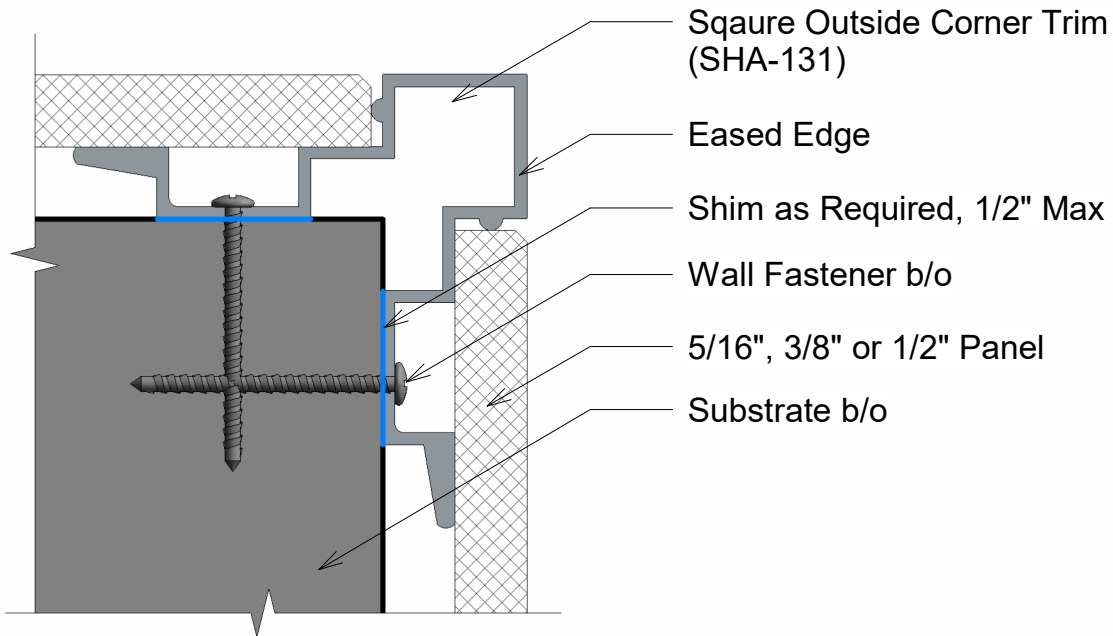


① Plan View - H
12" = 1'-0"

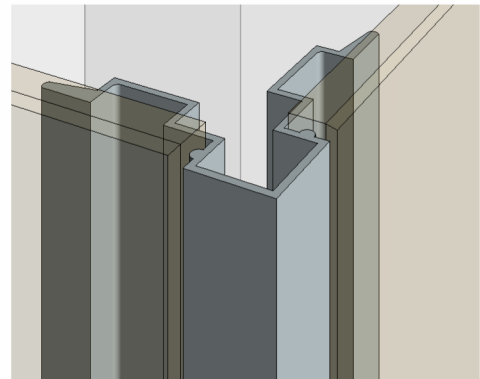


② SHA-132 (H)
Open Outside Corner Trim


Title:		View:	Date:	 Wall Panel Systems, Inc. Tel: 877-333-4WPS support@wpsusa.com Web: www.wpsusa.com © 2012 Wall Panel Systems Inc.
Outside Corner		Plan	03/22/24	
Detail:	System Type:	Scale:	Draw By:	
H	3/8" LED Universal Archit Sys. Hyb	Full	WPS, Inc.	

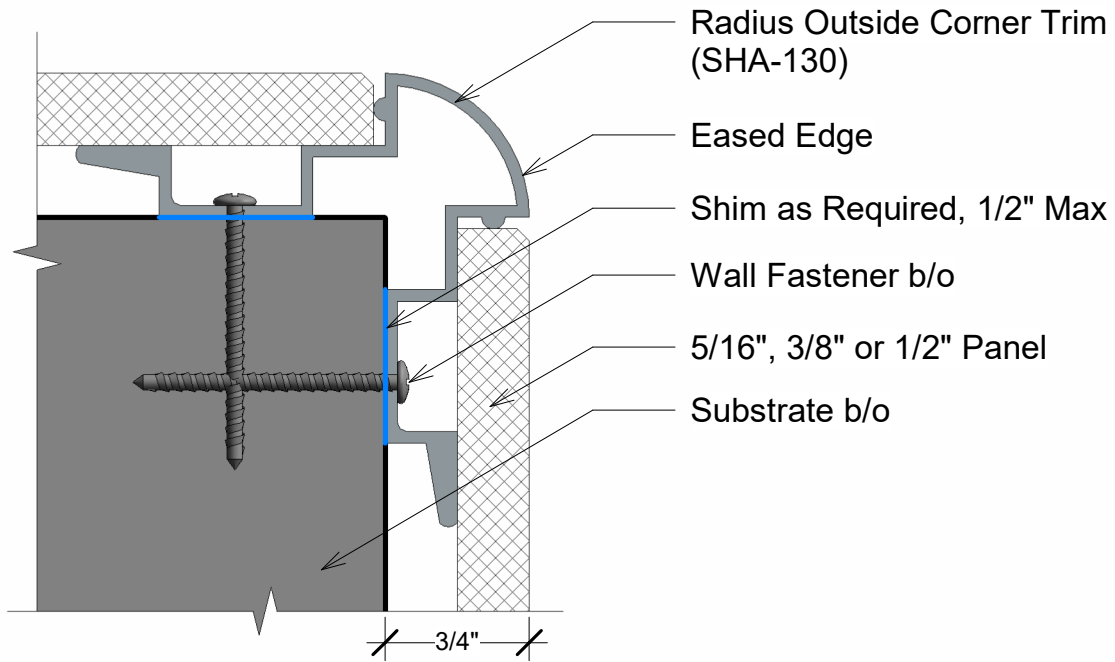


① Plan View - H.1
12" = 1'-0"

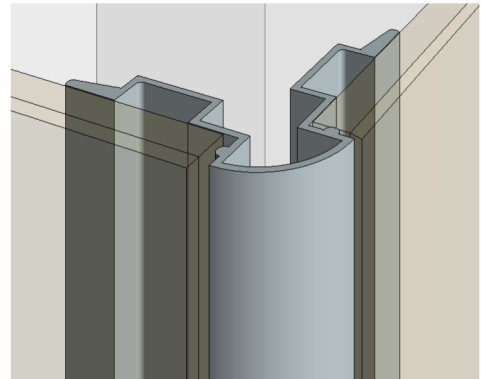


② SHA-131 (H)
Square Outside Corner Trim


Title: Outside Corner		View: Plan	Date: 03/22/24	 Wall Panel Systems, Inc. Tel: 877-333-4WPS support@wpsusa.com Web: www.wpsusa.com © 2012 Wall Panel Systems Inc.
Detail: H.1	System Type: 3/8" LED Universal Archit Sys. Hyb	Scale: Full	Draw By: WPS, Inc.	

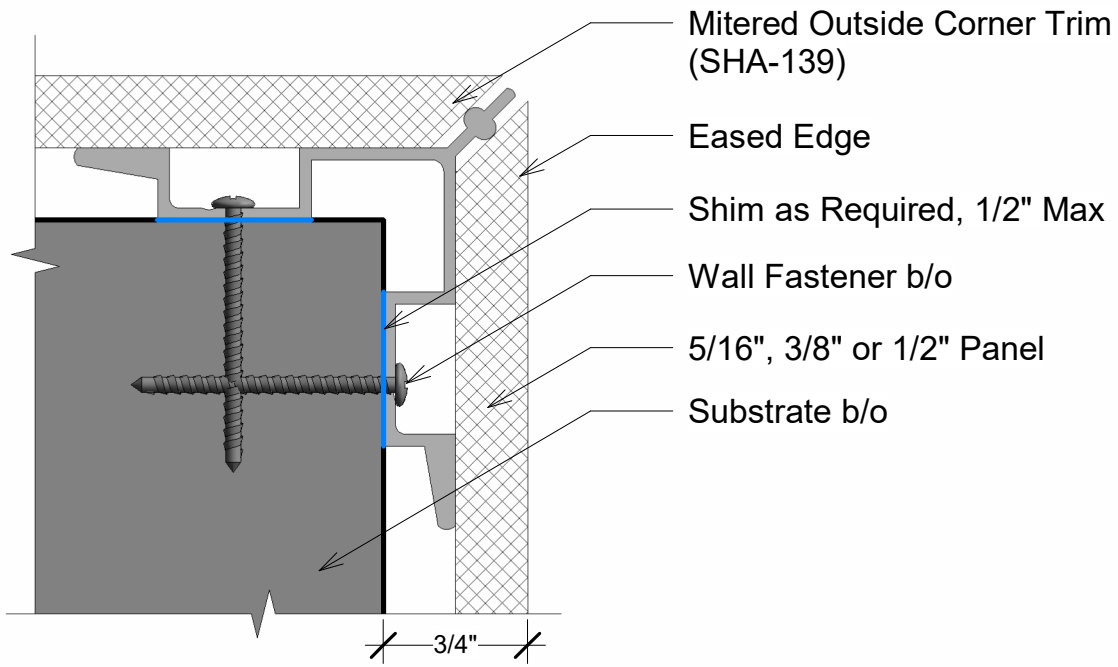


① Plan View - H.2
12" = 1'-0"

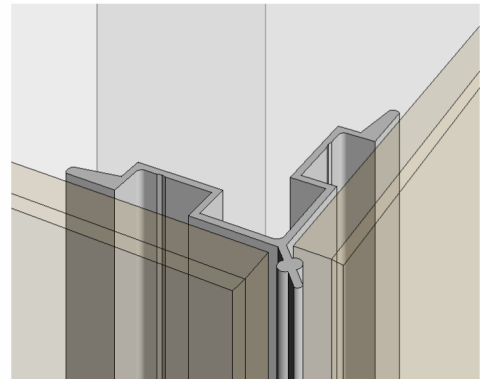


② SHA-130 (H)
Radius Outside Corner Trim


Title: Outside Corner		View: Plan	Date: 03/22/24	 Wall Panel Systems, Inc. Tel: 877-333-4WPS support@wpsusa.com Web: www.wpsusa.com © 2012 Wall Panel Systems Inc.
Detail: H.2	System Type: 3/8" LED Universal Archit Sys. Hyb	Scale: Full	Draw By: Author	

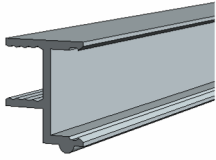


① Plan View - H.3
12" = 1'-0"

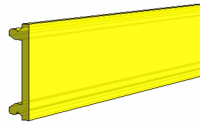


② SHA-139 (H)
Mitered Outside Corner Trim

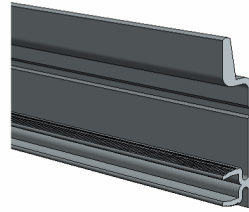
Title: Outside Corner		View: Plan	Date: 03/22/24	 Wall Panel Systems, Inc. Tel: 877-333-4WPS support@wpsusa.com Web: www.wpsusa.com © 2012 Wall Panel Systems Inc.
Detail: H.3	System Type: 3/8" LED Universal Archit Sys. Hyb	Scale: Full	Draw By: Author	



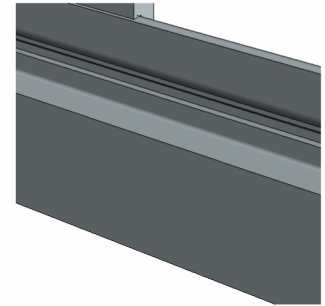
1 UAS-230 (U)
Edge Cap



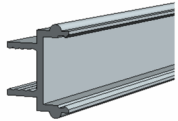
2 UAS-229 (U)
Option Edge Cap



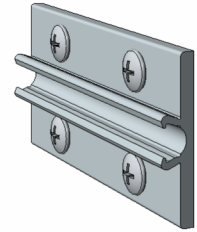
3 UAS-201 (U)
Base Edge Trim



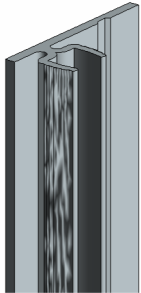
4 GEN-042 (U)
Wall Rail



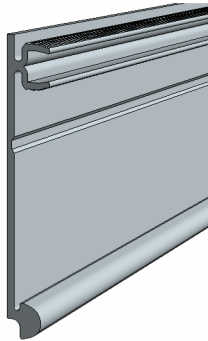
5 UAS-231 (U)



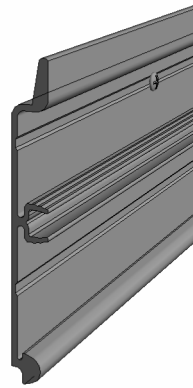
9 FMC-022 (U)
Panel Clip



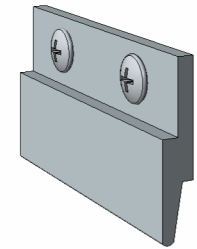
6 UAS-203 (U)
Vertical Trim



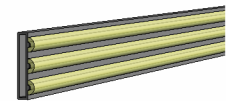
7 FMS-605 (U)
Top Edge Trim




8 FMU-625.1 (U)
Horizontal Reveal

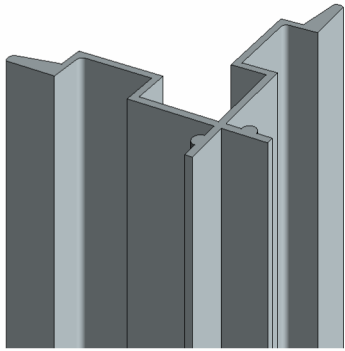


10 GEN-017 (U)
Panel Clip

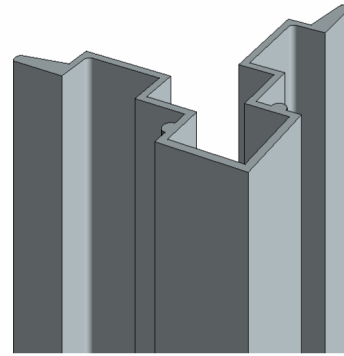


11 LED Light (U)

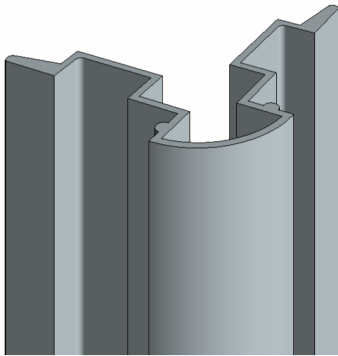
Title:		View:	Date:	 Wall Panel Systems, Inc. Tel: 877-333-4WPS support@wpsusa.com Web: www.wpsusa.com © 2012 Wall Panel Systems Inc.
Parts List		3D	03/22/24	
Detail:	System Type:	Scale:	Draw By:	
U1	3/8" LED Universal Archit Sys. Hyb	N/A	WPS, Inc.	



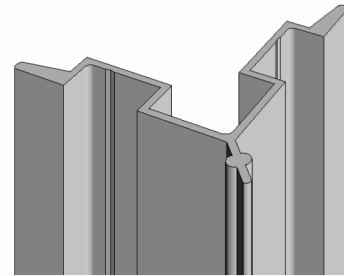
① **SHA-132 (U)**
Open Outside Corner Trim



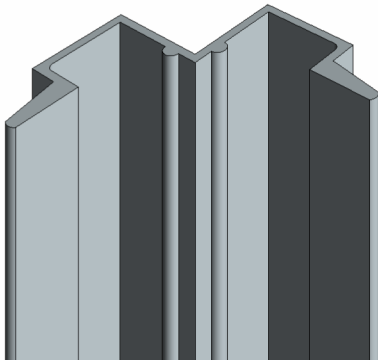
② **SHA-131 (U)**
Square Outside Corner Trim




③ **SHA-130 (U)**
Radius Outside Corner Trim



④ **SHA-139 (U)**
Mitered Outside Corner Trim



⑤ **SHA-140 (U)**
Inside Corner Trim

Title:		View:	Date:	 Wall Panel Systems, Inc. Tel: 877-333-4WPS support@wpsusa.com Web: www.wpsusa.com © 2012 Wall Panel Systems Inc.
Parts List		3D	03/22/24	
Detail:	System Type:	Scale:	Draw By:	
U2	3/8" LED Universal Archit Sys. Hyb	N/A	WPS, Inc.	