
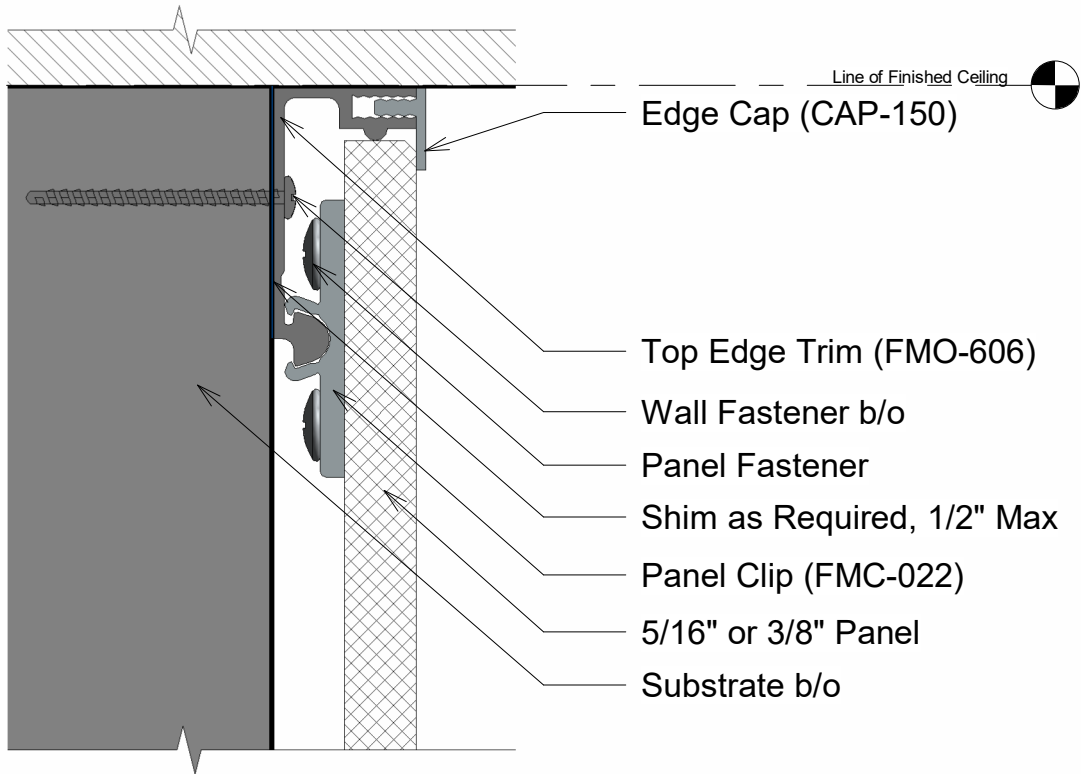
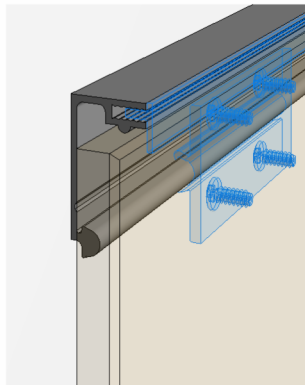


Title:		View:	Date:	 <b>WPS</b> Wall Panel System, Inc.
Installation Instruction 3-D Model		3D	03/22/24	
Detail:	System Type:	Scale:	Drawn By:	Tel: 877-333-4WPS support@wpsusa.com Web: www.wpsusa.com © 2007 Wall Panel Systems Inc.
0	3/8" Captured System (Hybrid)	N/A	WPS, Inc.	

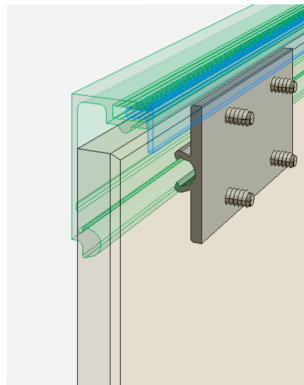
Capture System can be utilized with, Phenolic, Glass and Fiberglass Panels



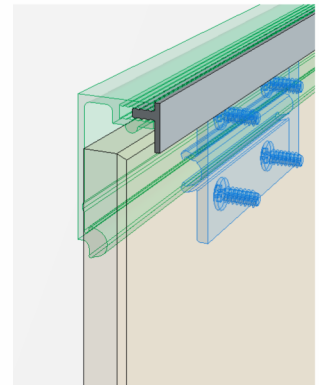
1 Section A  
12" = 1'-0"




2 FMO-606 (A)  
Top Edge Trim

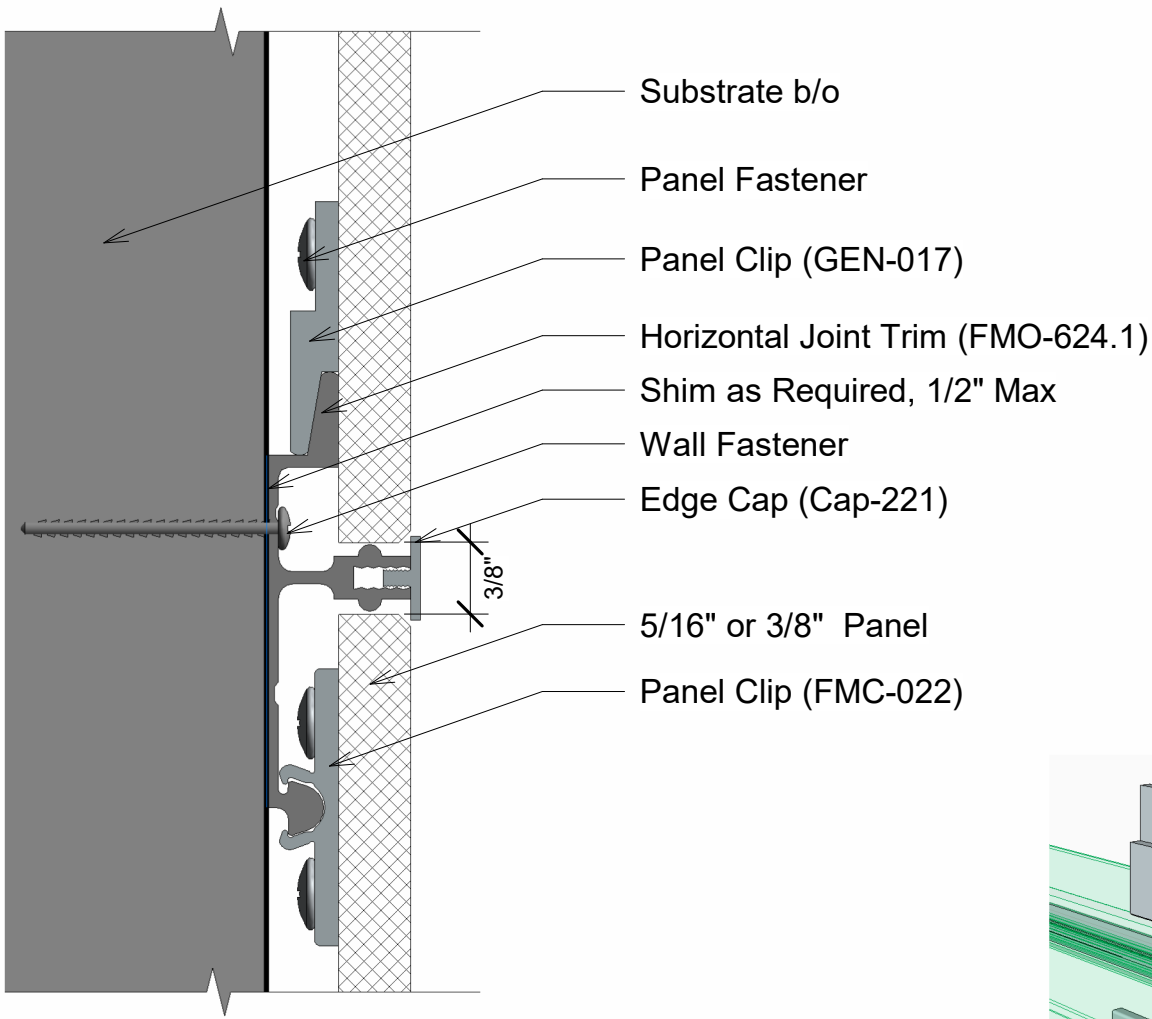


3 FMC-022 (A)  
Panel Clip

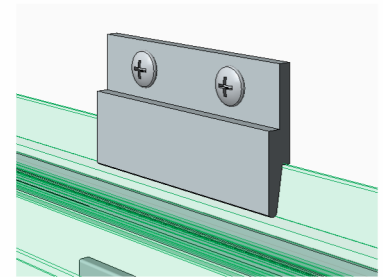


4 CAP-150 (A)  
Edge Cap

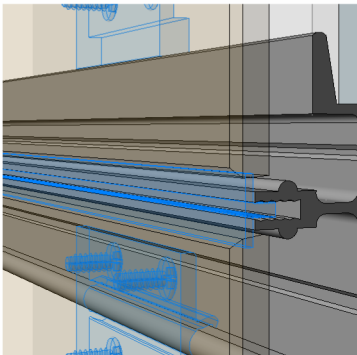
Title: <b>Top Edge / Head Termination</b>		View: <b>Section</b>	Date: <b>03/22/24</b>	 <b>Wall Panel Systems, Inc.</b> Tel: 877-333-4WPS support@wpsusa.com Web: www.wpsusa.com © 2007 Wall Panel Systems Inc.
Detail: <b>A</b>	System Type: <b>3/8" Capture System Hyb</b>	Scale: <b>Full</b>	Draw By: <b>WPS, Inc.</b>	



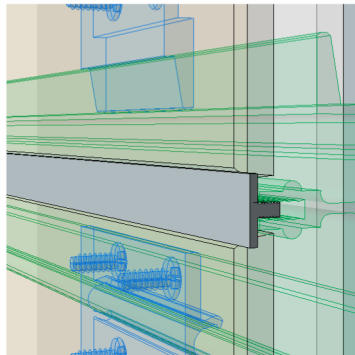
1 Section K  
12" = 1'-0"



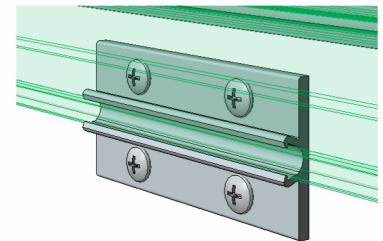
5 GEN-017 (B)  
Panel Clip



2 FMO-624.1 (B)  
Horizontal Joint Trim



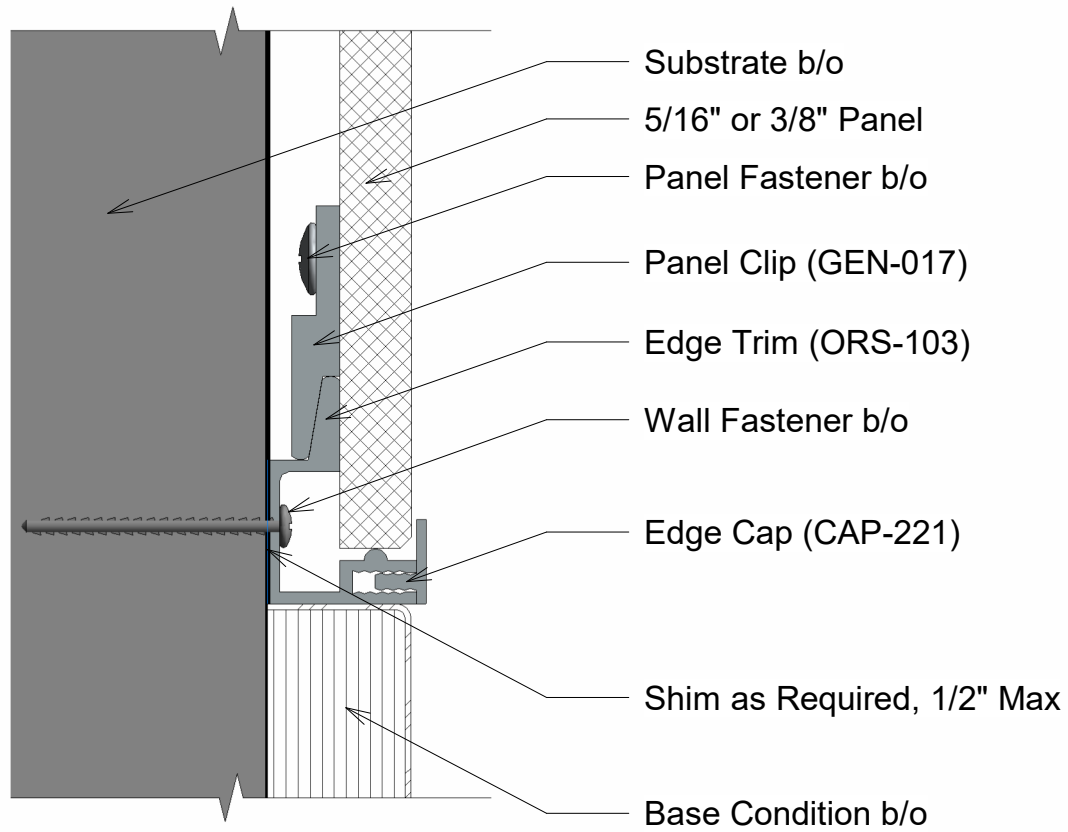
4 Cap-221 (B)  
Edge Cap



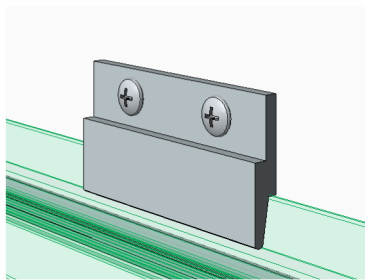
3 FMC-022 (B)  
Panel Clip

Title: <b>Horizontal Joint</b>		View: <b>Section</b>	Date: <b>03/22/24</b>	 <b>WPS</b> Wall Panel Systems, Inc. Tel: 877-333-4WPS support@wpsusa.com Web: www.wpsusa.com © 2007 Wall Panel Systems Inc.
Detail: <b>B</b>	System Type: <b>3/8" Capture System Hyb</b>	Scale: <b>Full</b>	Draw By: <b>WPS, Inc.</b>	

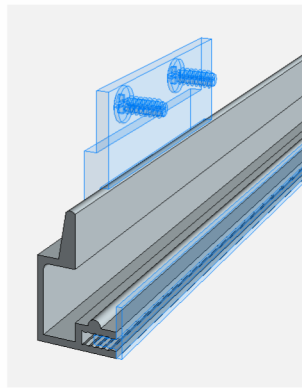
Capture System can be utilized with, Phenolic, Glass and Fiberglass Panels



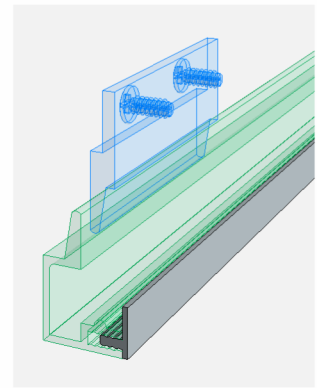
1 Section C  
 12" = 1'-0"




3 GEN-017 (C)  
 Panel Clip



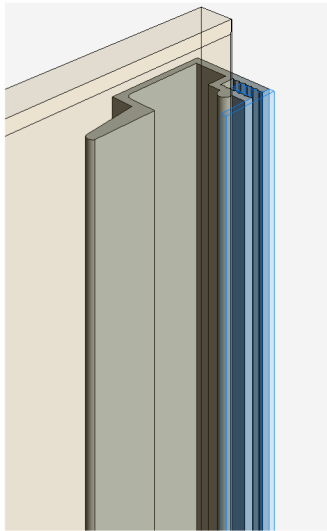
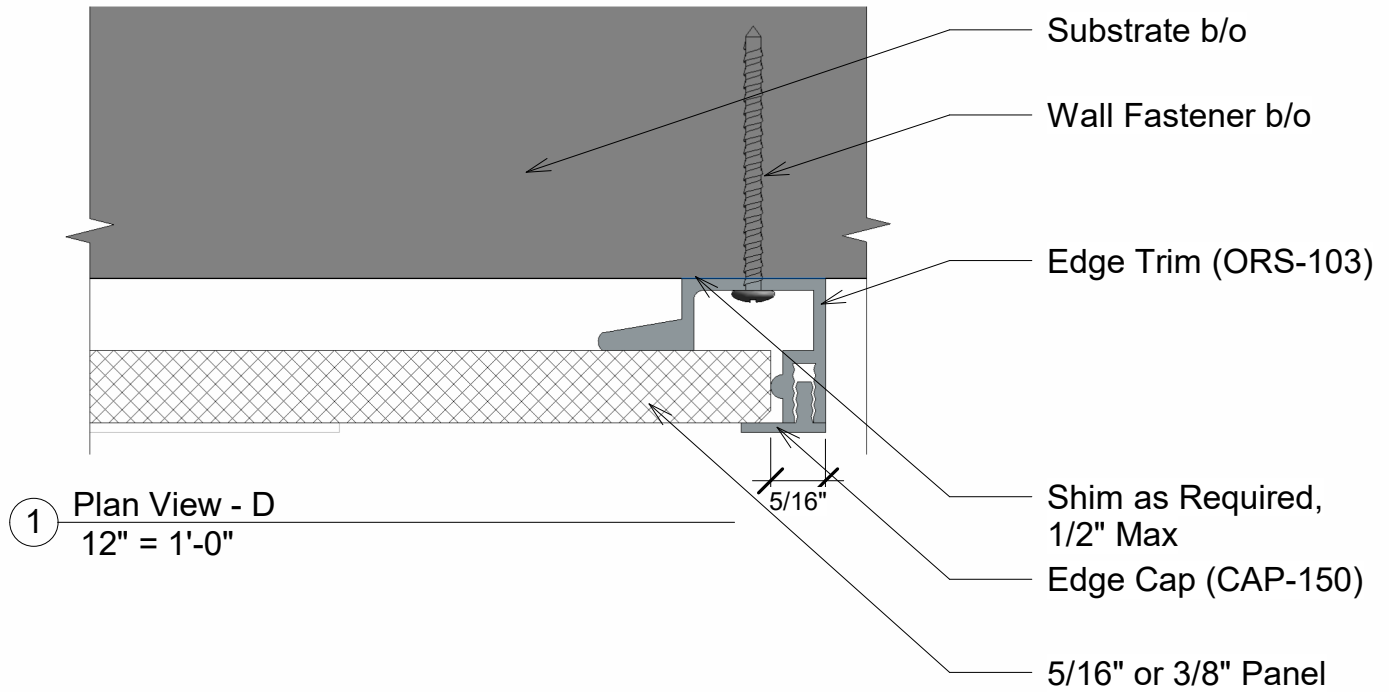
4 ORS-103 (C)  
 Edge Trim



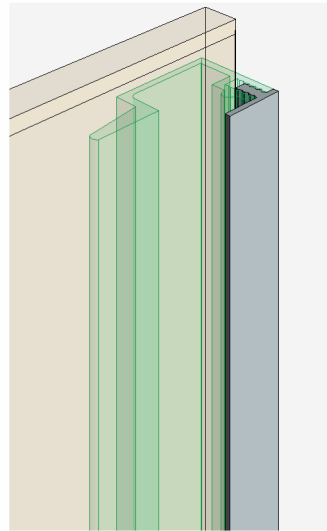
2 CAP-221 (C)  
 Edge Cap

Title: <b>Base Edge / Panel Termination</b>		View: <b>Section</b>	Date: <b>03/22/24</b>	 <b>Wall Panel Systems, Inc.</b> Tel: 877-333-4WPS support@wpsusa.com Web: www.wpsusa.com © 2007 Wall Panel Systems Inc.
Detail: <b>C</b>	System Type: <b>3/8" Capture System Hyb</b>	Scale: <b>Full</b>	Draw By: <b>WPS, Inc.</b>	


Capture System can be utilized with, Phenolic, Glass and Fiberglass Panels



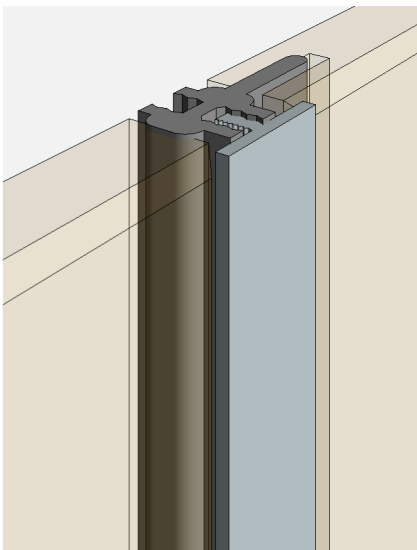
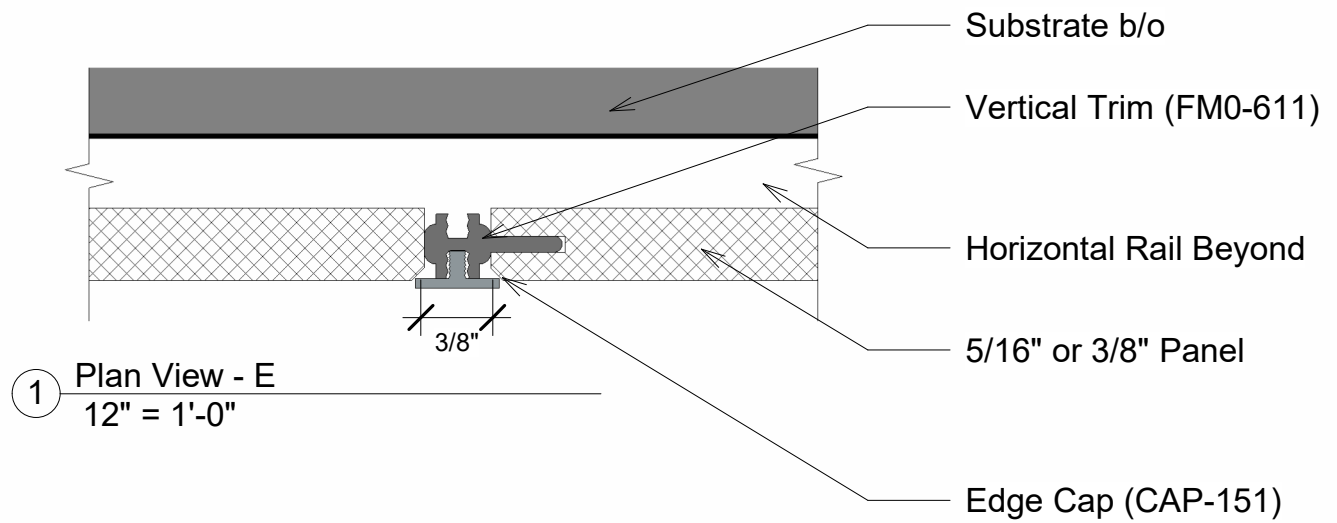
2 ORS-103 (D)  
Edge Trim




3 CAP-150 (D) Copy 1  
Edge Cap

Title: <b>Vertical Edge</b>		View: <b>Plan</b>	Date: <b>03/22/24</b>	 <b>Wall Panel Systems, Inc.</b> Tel: 877-333-4WPS support@wpsusa.com Web: www.wpsusa.com © 2007 Wall Panel Systems Inc.
Detail: <b>D</b>	System Type: <b>3/8" Capture System Hyb</b>	Scale: <b>Full</b>	Draw By: <b>WPS, Inc.</b>	

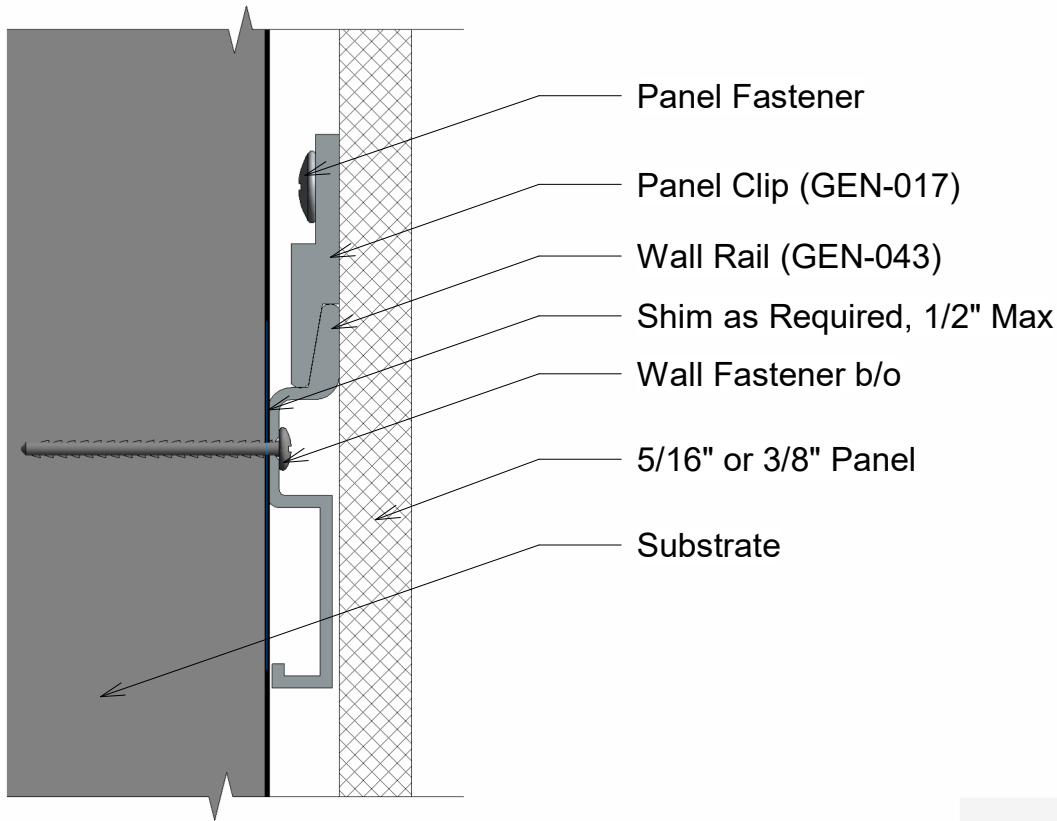
Capture System can be utilized with, Phenolic, Glass and Fiberglass Panels



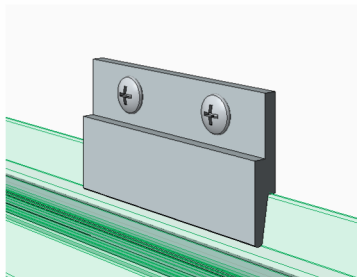
2 FM0-611 (E)  
Vertical Trim

Title: <b>Vertical Trim</b>		View: <b>Plan</b>	Date: <b>03/22/24</b>	 <b>Wall Panel Systems, Inc.</b> Tel: 877-333-4WPS support@wpsusa.com Web: www.wpsusa.com © 2007 Wall Panel Systems Inc.
Detail: <b>E</b>	System Type: <b>3/8" Capture System Hyb</b>	Scale: <b>Full</b>	Draw By: <b>WPS, Inc.</b>	

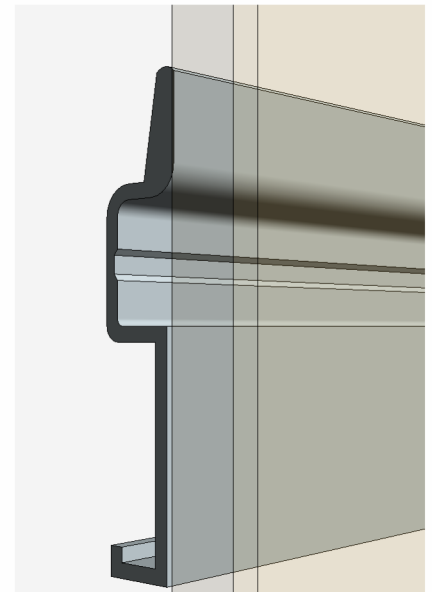
Capture System can be utilized with, Phenolic, Glass and Fiberglass Panels




1 Section F  
 12" = 1'-0"



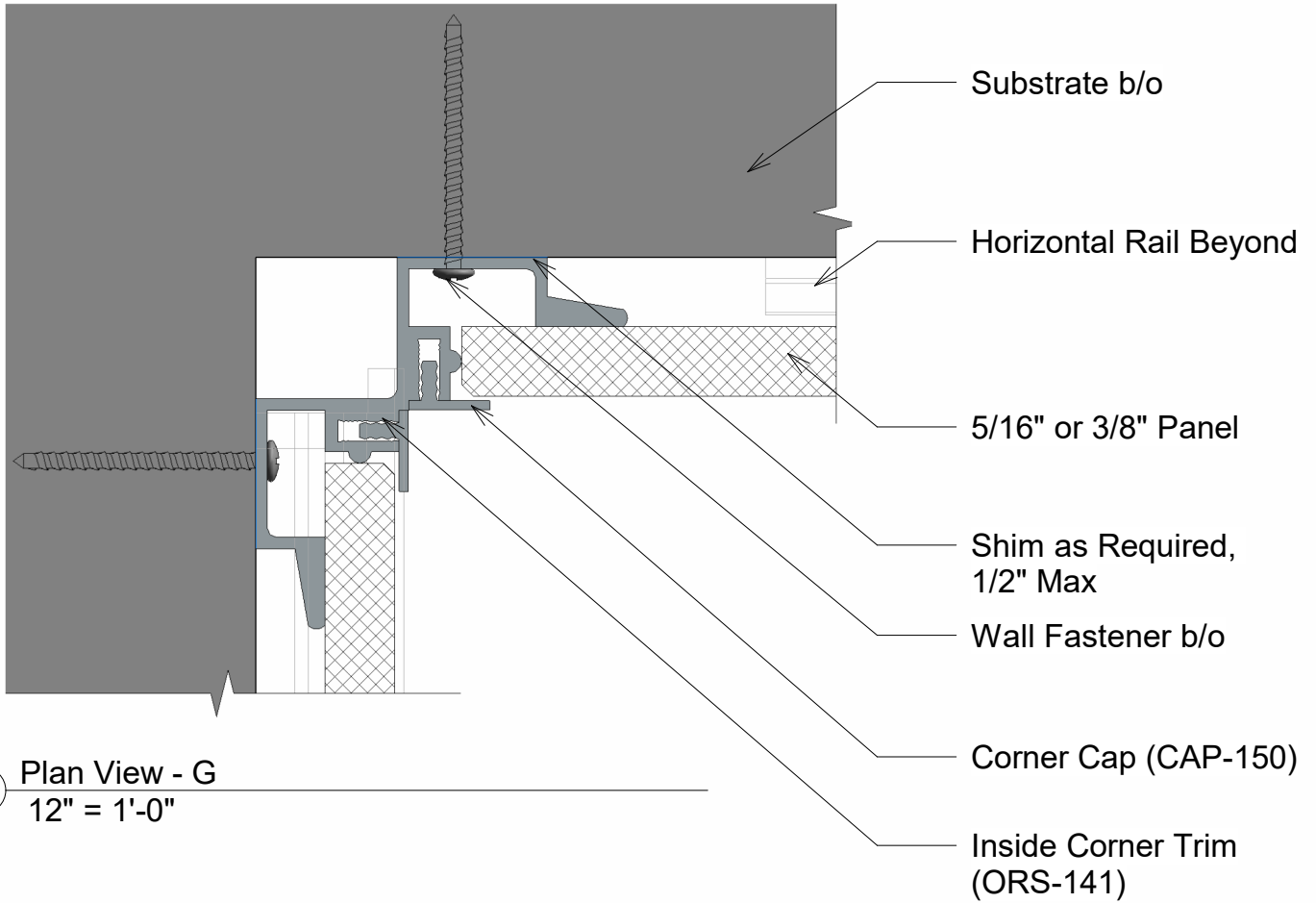
3 GEN-017 (F)  
 Panel Clip



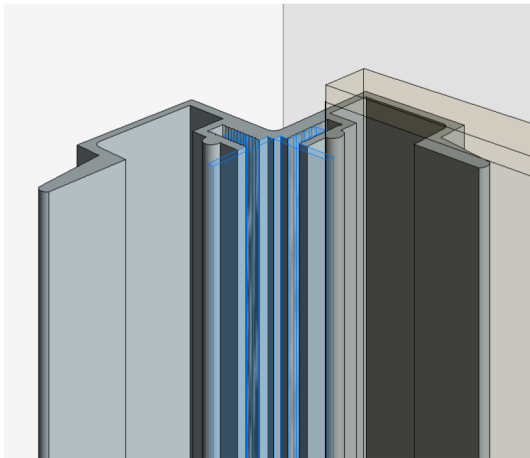
2 GEN-043 (F)  
 Wal Rail

Title: <b>Mid-Wall Rail / Clip</b>		View: <b>Section</b>	Date: <b>03/22/24</b>	 <b>Wall Panel Systems, Inc.</b> Tel: 877-333-4WPS support@wpsusa.com Web: www.wpsusa.com © 2007 Wall Panel Systems Inc.
Detail: <b>F</b>	System Type: <b>3/8" Capture System Hyb</b>	Scale: <b>Full</b>	Draw By: <b>WPS, Inc.</b>	

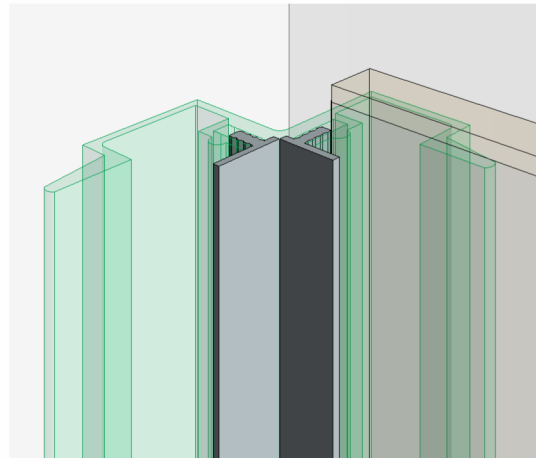
Capture System can be utilized with, Phenolic, Glass and Fiberglass Panels




1 Plan View - G  
12" = 1'-0"



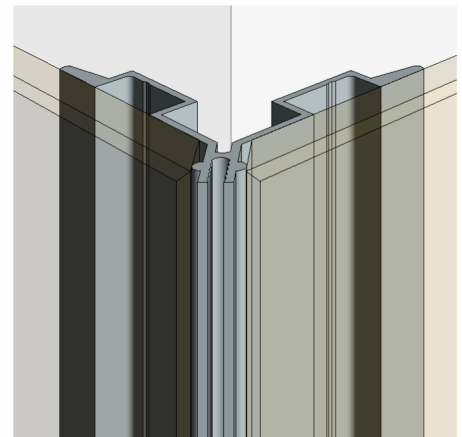
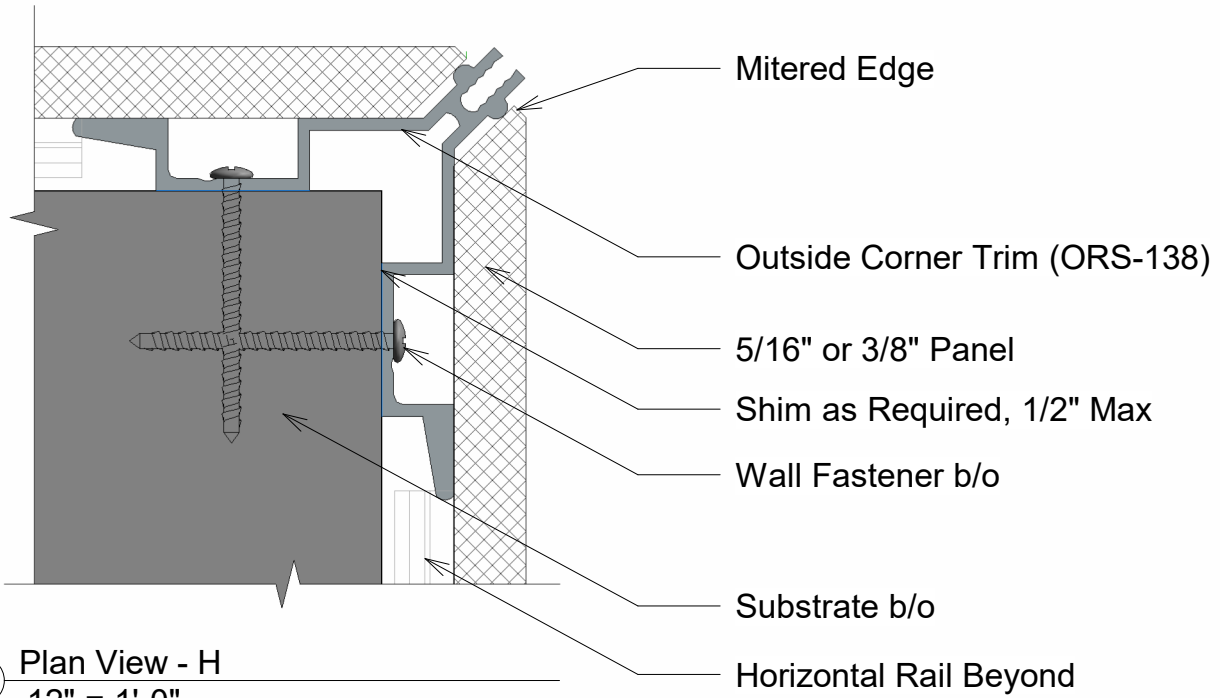
2 ORS-141 (G)  
Inside Corner Trim




3 CAP-150 (G)  
Inside Corner Cap

Title: <b>Inside Corner</b>		View: <b>Plan</b>	Date: <b>03/22/24</b>	 <b>Wall Panel Systems, Inc.</b> Tel: 877-333-4WPS support@wpsusa.com Web: www.wpsusa.com © 2007 Wall Panel Systems Inc.
Detail: <b>G</b>	System Type: <b>3/8" Capture System Hyb</b>	Scale: <b>Full</b>	Draw By: <b>WPS, Inc.</b>	

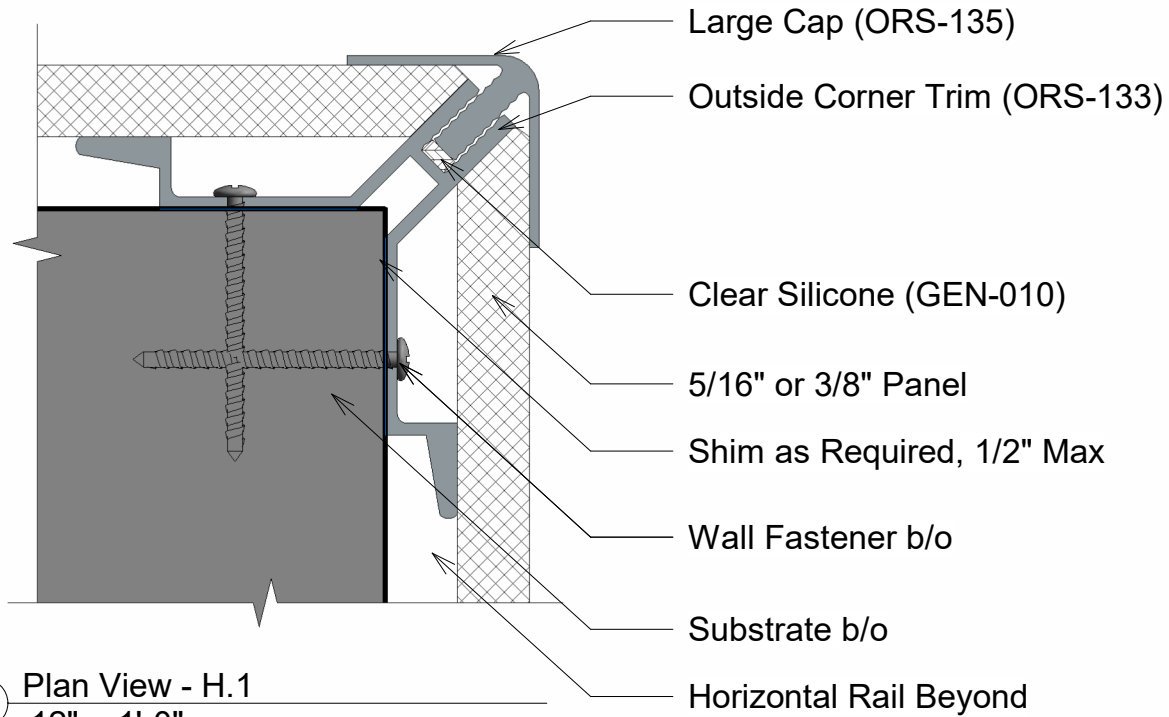
Capture System can be utilized with, Phenolic, Glass and Fiberglass Panels



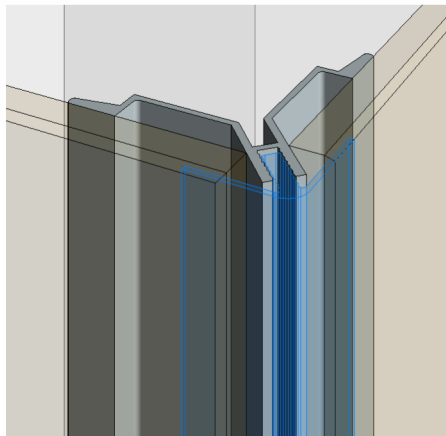
② ORS-138 (H)  
 Outside Corner Trim

Title: <b>Outside Corner</b>		View: <b>Plan</b>	Date: <b>03/22/24</b>	 <b>Wall Panel Systems, Inc.</b> Tel: 877-333-4WPS support@wpsusa.com Web: www.wpsusa.com © 2007 Wall Panel Systems Inc.
Detail: <b>H</b>	System Type: <b>3/8" Capture System Hyb</b>	Scale: <b>Full</b>	Draw By: <b>WPS, Inc.</b>	

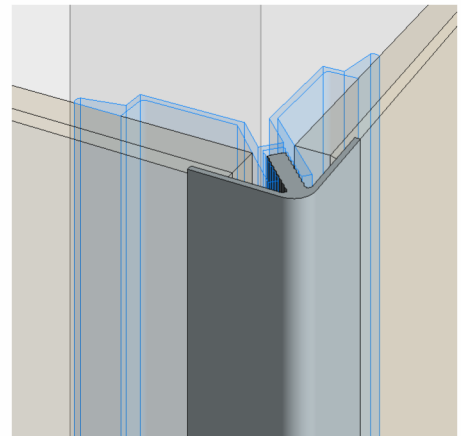
Capture System can be utilized with, Phenolic, Glass and Fiberglass Panels




① Plan View - H.1  
12" = 1'-0"



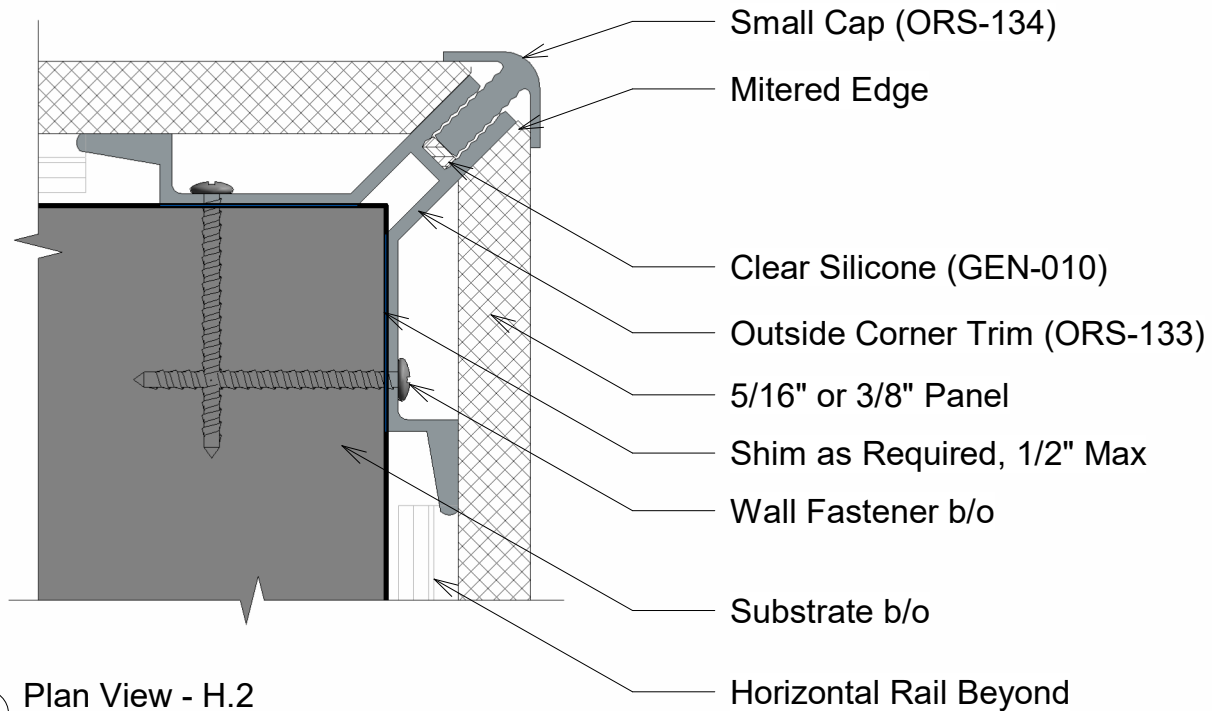
② ORS-133 (H.1)  
Outside Corner Trim



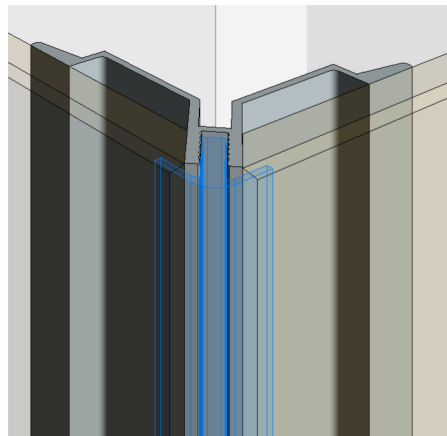
③ ORS-135 (H.1)  
Large Cap

Title: <b>Outside Corner</b>		View: <b>Plan</b>	Date: <b>03/22/24</b>	 <b>Wall Panel Systems, Inc.</b> Tel: 877-333-4WPS support@wpsusa.com Web: www.wpsusa.com © 2007 Wall Panel Systems Inc.
Detail: <b>H.1</b>	System Type: <b>3/8" Capture System Hyb</b>	Scale: <b>Full</b>	Draw By: <b>WPS, Inc.</b>	

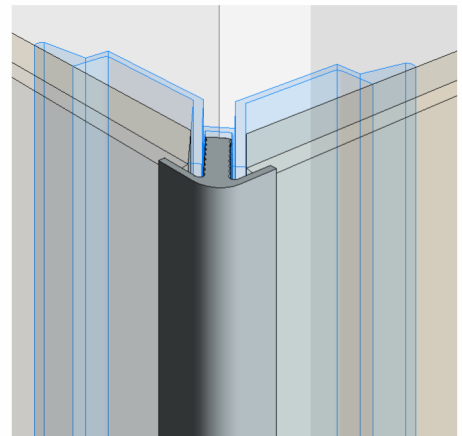
Capture System can be utilized with, Phenolic, Glass and Fiberglass Panels




① Plan View - H.2  
12" = 1'-0"

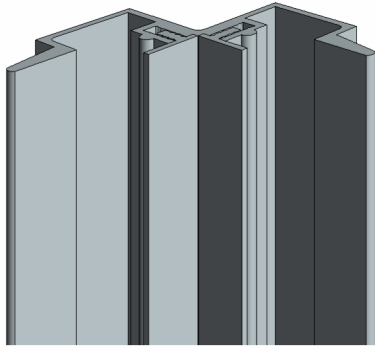


② ORS-133 (H.2)  
Outside Corner Trim

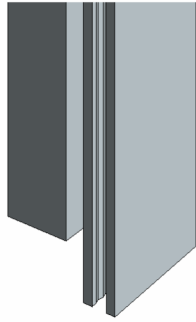


③ ORS-134 (H.2)  
Small Cap

Title: <b>Outside Corner</b>		View: <b>Plan</b>	Date: <b>03/22/24</b>	 <b>Wall Panel Systems, Inc.</b> Tel: 877-333-4WPS support@wpsusa.com Web: www.wpsusa.com © 2007 Wall Panel Systems Inc.
Detail: <b>H.2</b>	System Type: <b>3/8" Capture System Hyb</b>	Scale: <b>Full</b>	Draw By: <b>WPS, Inc.</b>	



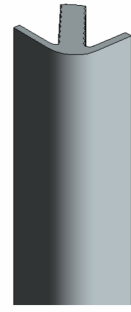
1 ORS-141 (U)  
Inside Corner



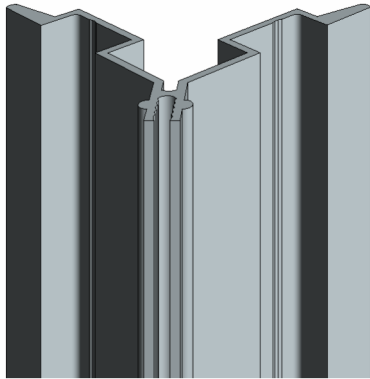
2 ORS-103 (U)  
Edge Trim



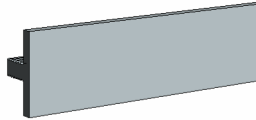
3 ORS-135 (U)  
Outside Corner Large Cap



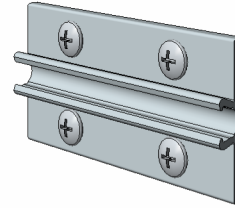
4 ORS-134 (U)  
Outside Corner Small Cap



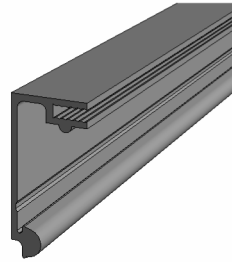
5 ORS-138 (U)  
Outside Corner



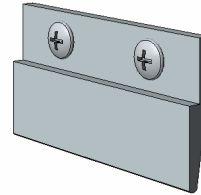
6 CAP-150 (U)  
Edge Cap



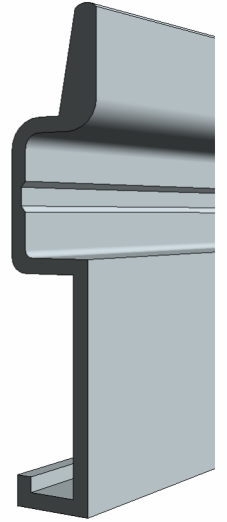
8 FMC-022 (U)  
Panel Clip



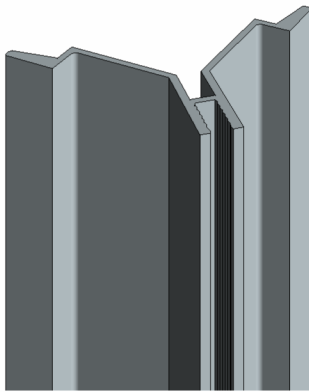
7 FMO-606 (U)  
Top Edge Trim



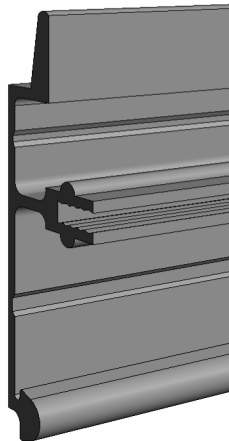
9 GEN-017 (U)  
Panel Clip



10 GEN-043 (U)  
Wall Rail



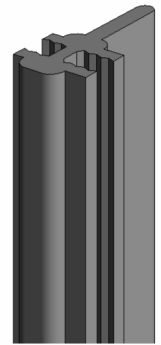
11 ORS-133 (U)  
Outside Corner Receiver




12 ORS-121 (U)  
Horizontal Joint



13 CAP-151 (U)  
Edge Cap



14 FMO-611 (U)  
Vertical Joint

Title: <b>Parts List</b>		View: <b>3D</b>	Date: <b>03/22/24</b>	 <b>Wall Panel Systems, Inc.</b> Tel: 877-333-4WPS support@wpsusa.com Web: www.wpsusa.com © 2007 Wall Panel Systems Inc.
Detail: <b>U</b>	System Type: <b>3/8" Capture System Hyb</b>	Scale: <b>N/A</b>	Draw By: <b>WPS, Inc.</b>	