

# WPS

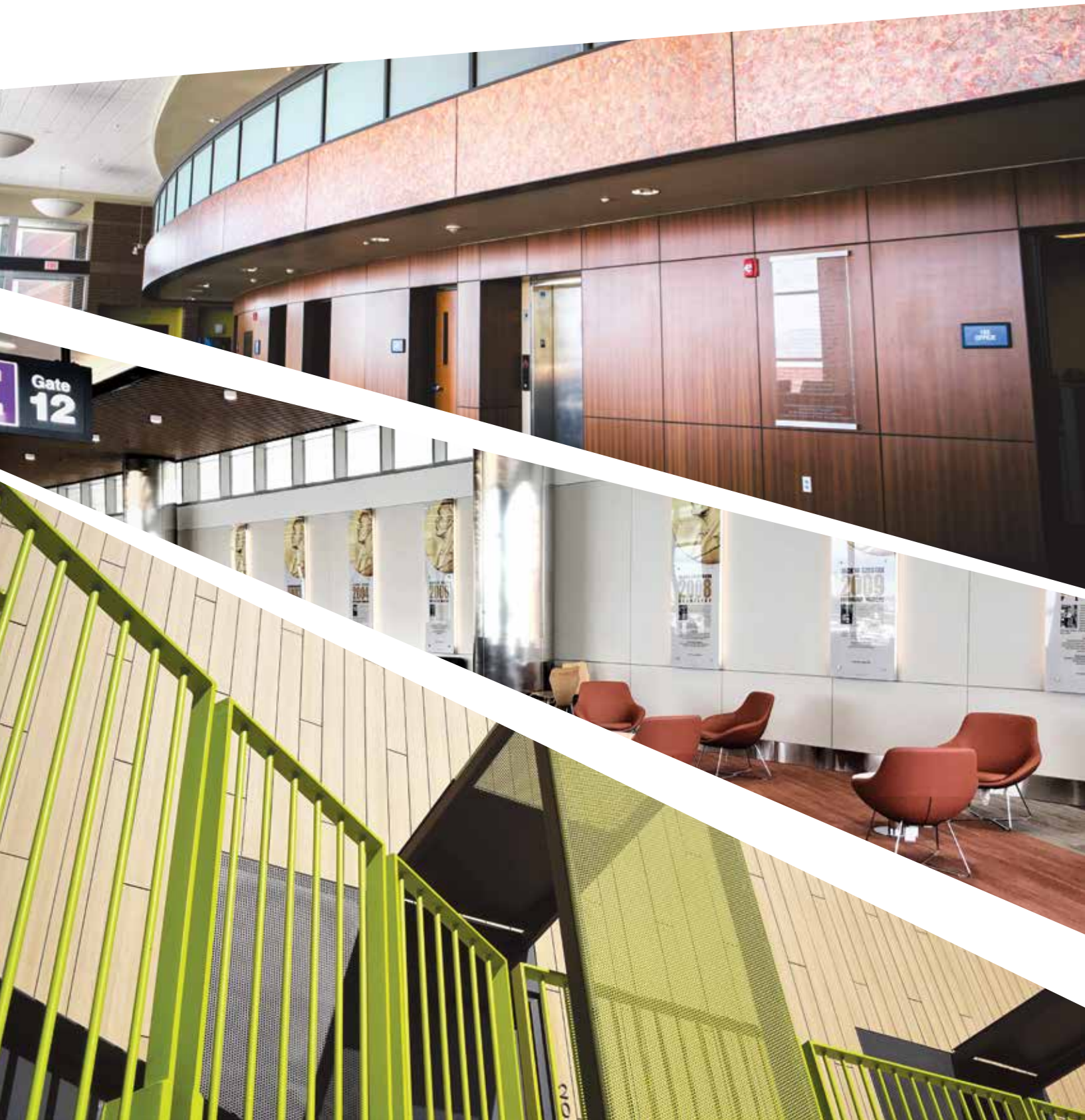
**Wall Panel Systems, Inc.**

*Architectural Panel Systems*

TOP: BARSTOW PERFORMING ARTS CENTER, CA

MIDDLE: LOGAN AIRPORT, MA

BOTTOM: SAWTELLE, CA



*Combine beautiful design with long lasting exterior and interior panel product performance. Welcome to Wall Panel Systems, Inc.*



## WHAT WE OFFER

WPS sets the standard for products in selection, beauty, and performance. We take pride in providing premium products, better selection, and exceptional services. WPS sales support team is trained and knowledgeable in all technical aspects of the industry so your rapport with us continues to add value to your business.

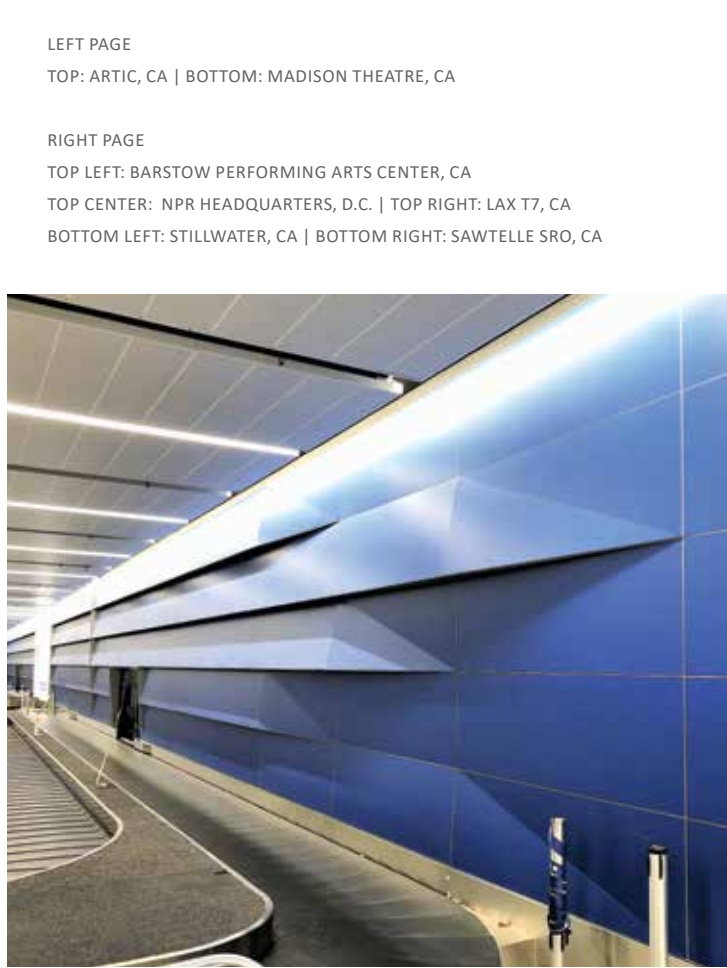
WPS has partnered with the best panel manufacturers to offer the widest range of decors and finishes in the market; all of which are compatible with the expertly designed WPS attachment systems. Our skilled team is dedicated to fabricating innovative and efficient products at competitive prices.

WPS provides complete engineered shop drawings for every project. Each panel will be uniquely labeled and detailed to create a seamless fabrication process that is all done in house. Panels will be cut to size with clips factory attached to eliminate as much field work as possible.

WPS extends a 10 year warranty to all of our attachment systems and we offer on site installation support to ensure all projects are completed efficiently and correctly.



**Wall Panel Systems, Inc.**  
*Architectural Panel Systems*



LEFT PAGE  
TOP: ARTIC, CA | BOTTOM: MADISON THEATRE, CA

RIGHT PAGE  
TOP LEFT: BARSTOW PERFORMING ARTS CENTER, CA  
TOP CENTER: NPR HEADQUARTERS, D.C. | TOP RIGHT: LAX T7, CA  
BOTTOM LEFT: STILLWATER, CA | BOTTOM RIGHT: SAWTELLE SRO, CA



## Interior Systems

Featuring a unique and proprietary non-progressive attachment system, WPS can integrate solid phenolic, high pressure laminates, glass, porcelain, metal, acoustic, and radius panels into one substructure.



LEFT PAGE

TOP: ARTIC, CA

BOTTOM LEFT: HONDA MRO, NC

BOTTOM RIGHT: CHRISTIANA CARE HEALTH SERVICE, DE

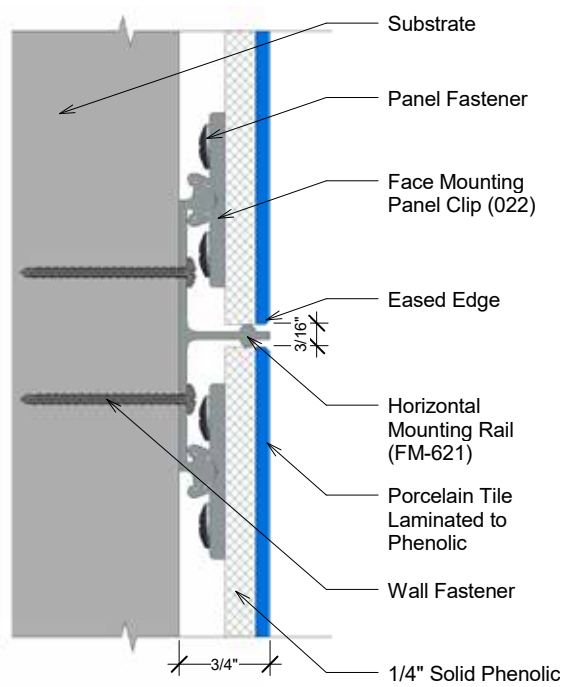
RIGHT PAGE

LEFT: INDIANAPOLIS INTERNATIONAL AIRPORT, IN

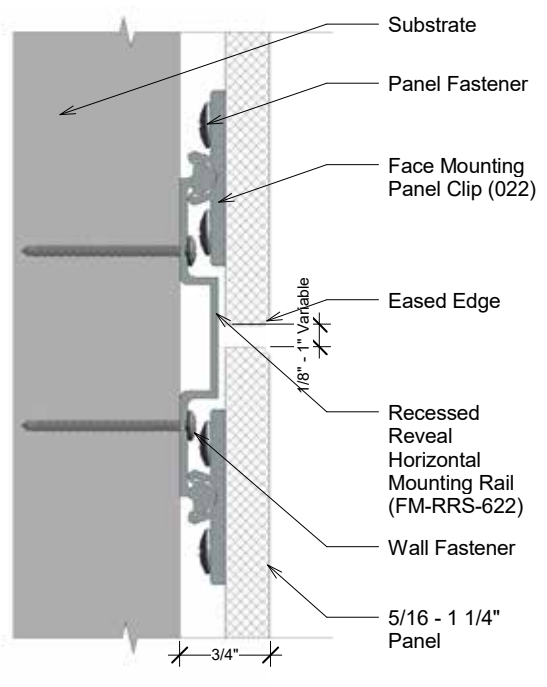
CENTER: ARTIC, CA | RIGHT: NORTHVIEW HIGH SCHOOL, MO



**Wall Panel Systems, Inc.**  
*Architectural Panel Systems*



Shadowline Face Mounted Horizontal Joint



Recessed Reveal Face Mounted Horizontal Joint

## *Exterior and Siding Systems*

By utilizing exterior grade phenolic panels, WPS attachment systems offer a simplified installation process to provide a beautiful and cost effective design element to any building.

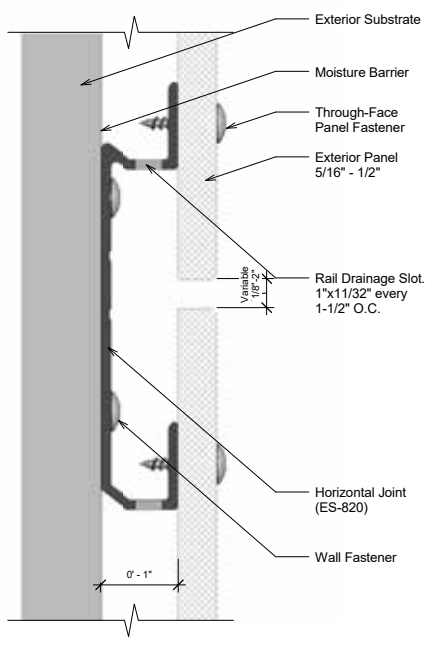


Wall Panel Systems, Inc.  
*Architectural Panel Systems*

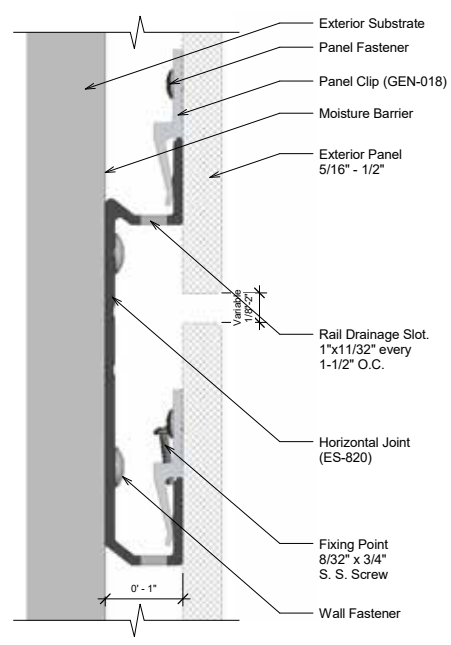


LEFT PAGE  
 TOP: PRIVATE RESIDENCE, CA  
 BOTTOM LEFT: PRIVATE RESIDENCE, CA | BOTTOM RIGHT: PRIVATE RESIDENCE, CA

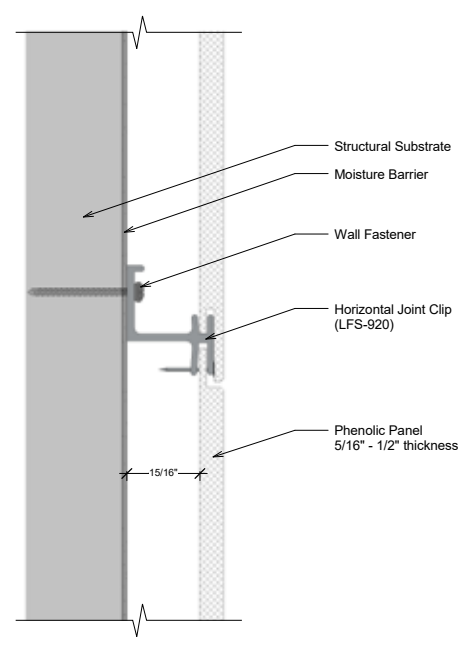
RIGHT PAGE  
 LEFT: PRIVATE RESIDENCE, CA | RIGHT: PALACE STATION, NV



ES-400 System - Horizontal Joint



ES-500 System - Horizontal Joint



Flush Siding System - Horizontal Joint

## Custom Design

WPS is able to provide custom shapes, perforation patterns, and radius panels for a variety of applications by using state of the art CNC Machines in our facility.



### LEFT PAGE

TOP: CANADA SCIENCE & TECHNOLOGY MUSEUM, ON  
 BOTTOM: BARSTOW PERFORMING ARTS CENTER, CA

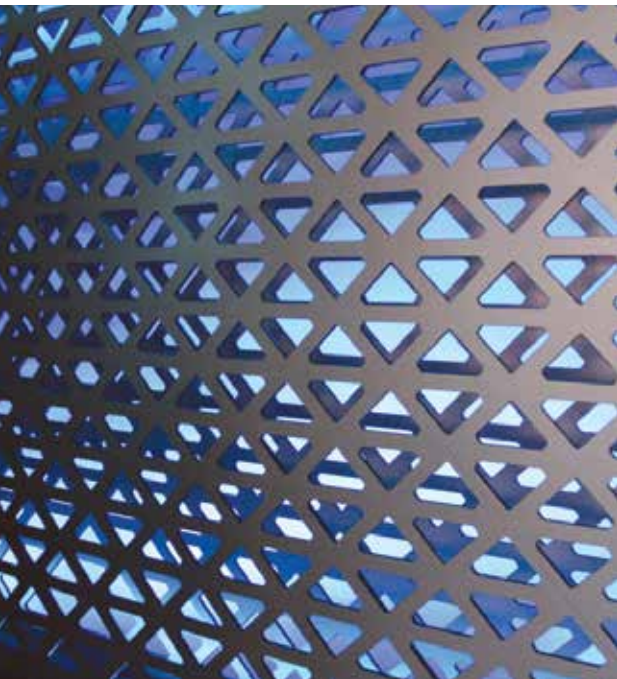
### RIGHT PAGE

TOP LEFT: RICHMOND HOSPITAL, BC  
 TOP RIGHT: BEVERLY HILLS GARDEN RESTROOM, CA  
 MIDDLE LEFT: WILLIAMSPORT, PA  
 MIDDLE RIGHT: CITY NORTH LOBBY, TX  
 BOTTOM LEFT: DISNEYLAND STAR TOURS, CA  
 BOTTOM RIGHT: NORTHVIEW HIGH SCHOOL, MO



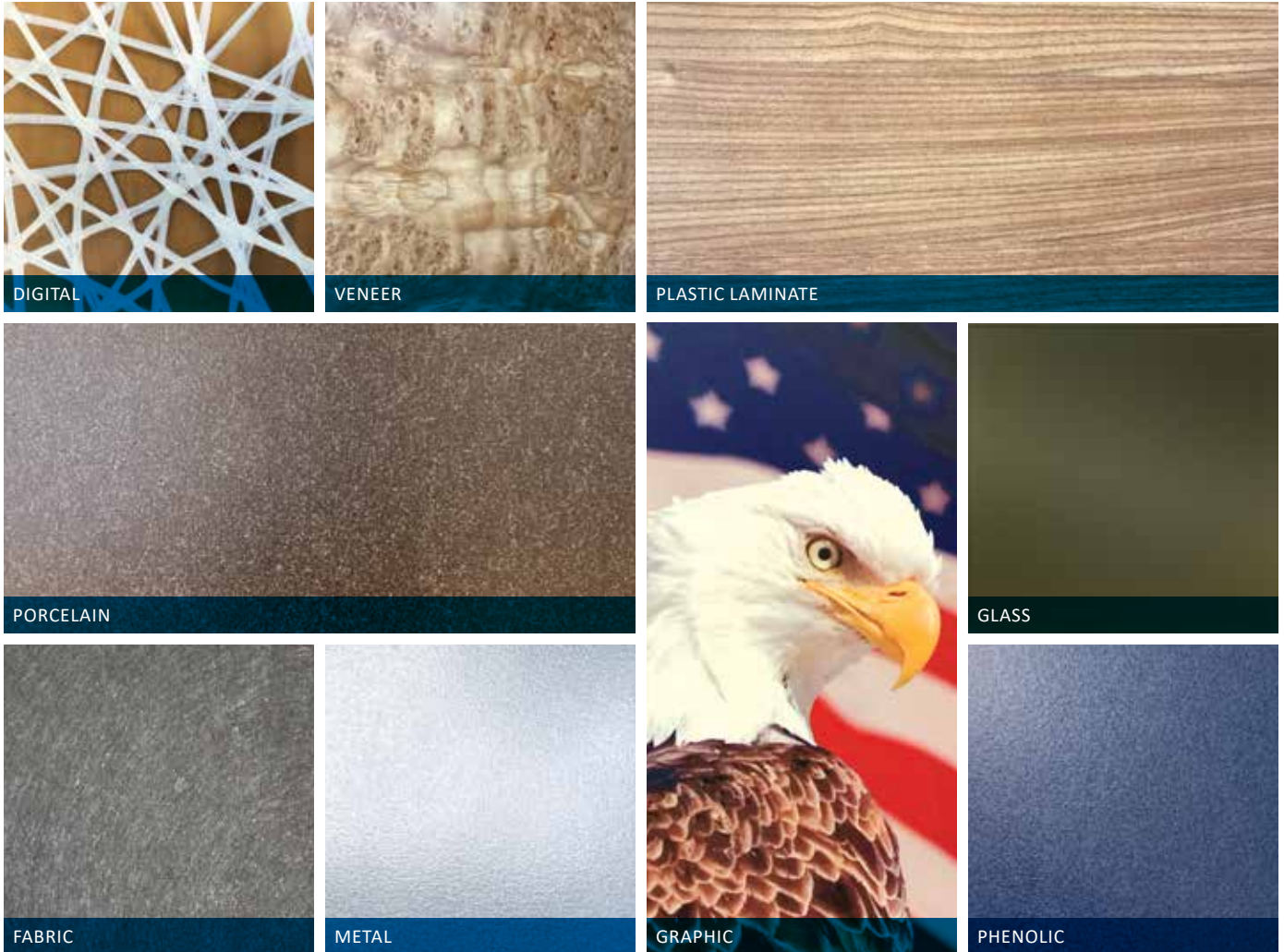
**Wall Panel Systems, Inc.**  
*Architectural Panel Systems*





## Panel Finish Options

Panel finishes are available in veneers, laminates or digital print options. WPS will assist with selection based on a project's aesthetic, budget and performance criteria. The following images depict the generic collections available. Each finish option has multiple variations based on the material selection.



## Panel Substrates

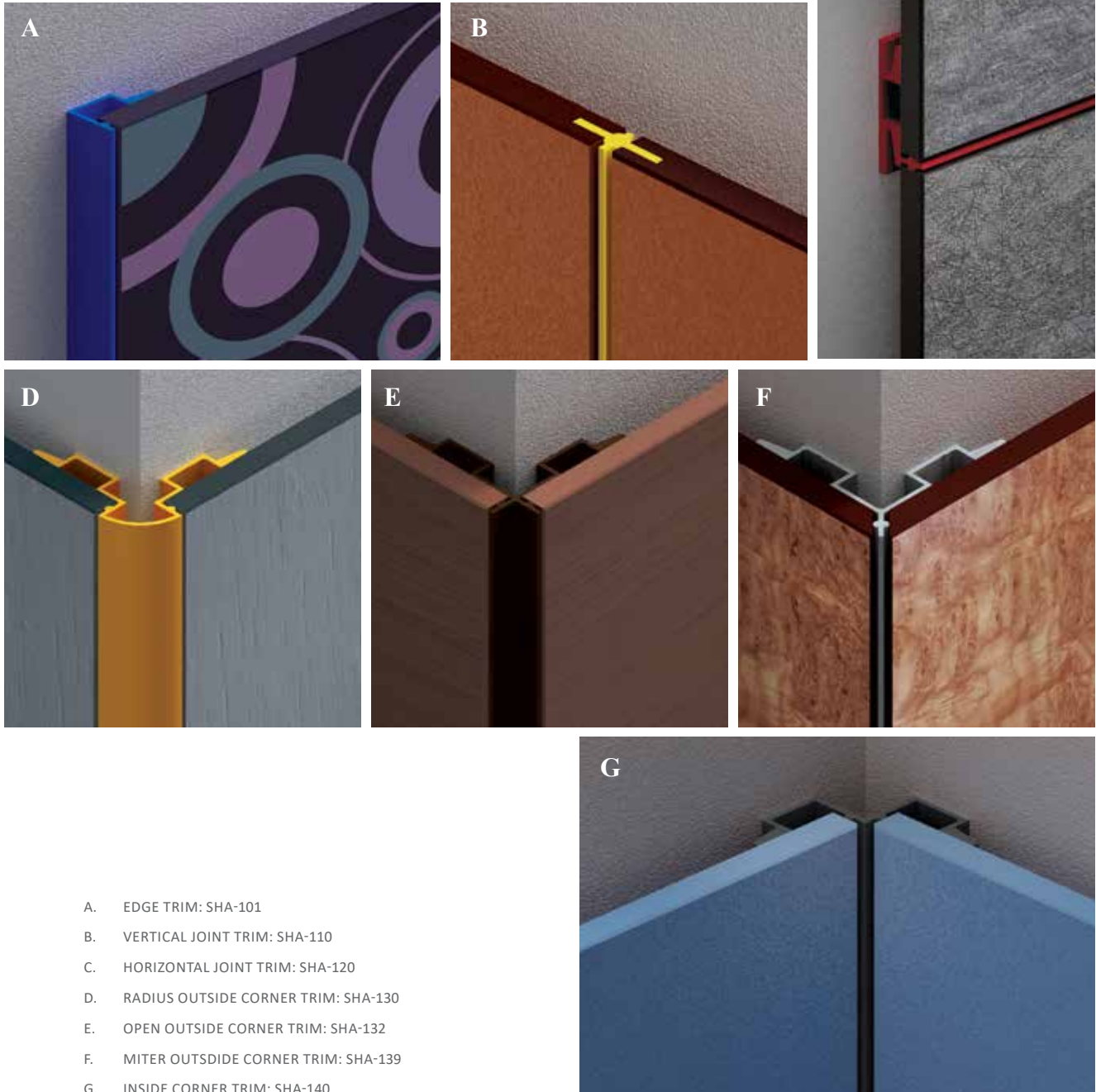
Panel type covers interior and exterior applications. Solid phenolic and medium density fiberboard are the main substrate offered. They both have a variety of sizes (e.g. width, length and depth) and fire rating options. WPS will assist with substrate selection based on the projects needs for impact resistance, thickness, sound absorption and budget.

Wall Panel Systems is your single source for exterior and interior architectural panel cladding. Carry the same panel aesthetic from outside to inside or change as the design requires. Either way, you receive a per-engineered warranted solution.



## Trim Finishes

Trim finishes are available in the following options: clear satin anodized, bronze anodized, black anodized, gold anodized, and custom powder coated.



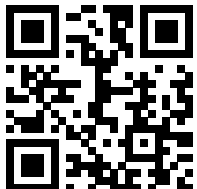
- A. EDGE TRIM: SHA-101
- B. VERTICAL JOINT TRIM: SHA-110
- C. HORIZONTAL JOINT TRIM: SHA-120
- D. RADIUS OUTSIDE CORNER TRIM: SHA-130
- E. OPEN OUTSIDE CORNER TRIM: SHA-132
- F. MITER OUTSIDE CORNER TRIM: SHA-139
- G. INSIDE CORNER TRIM: SHA-140



LEFT: PRIVATE RESIDENCE, CA

RIGHT TOP: CALIFORNIA STATE POLYTECHNIC UNIVERSITY POMONA, CA

RIGHT BOTTOM: BOWIE STATE UNIVERSITY, MD



**WPS**

Toll Free: 877-333-4WPS  
1720 Howard Place, Redlands, CA 92373  
www.wpsusa.com • support@wpsusa.com



**AWI** ARCHITECTURAL  
WOODWORK  
INSTITUTE

